

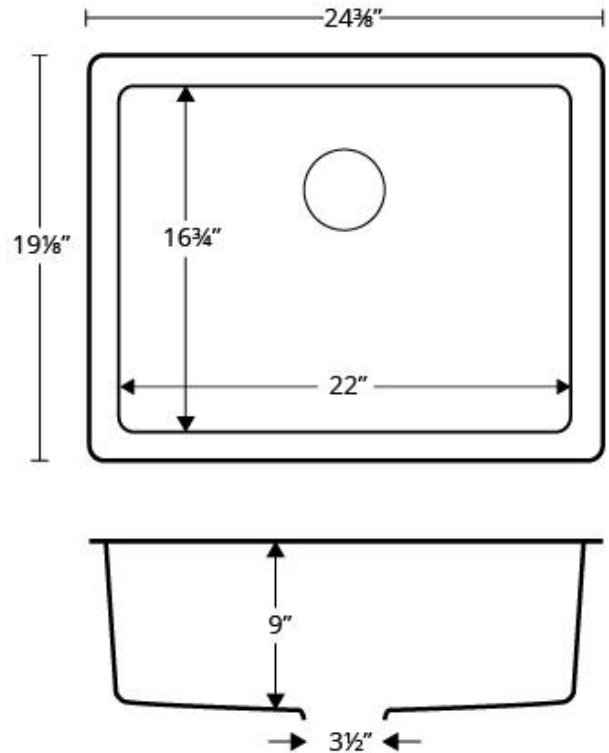
Karran quartz sinks are manufactured from durable quartz composite material that makes them incredibly tough and resilient to even the toughest daily kitchen tasks. They contain 80% natural quartz crystals and 20% high performance acrylic resins. These materials provide high scratch, stain, chip and heat resistance. This stylish undermount design is available in a selection of 6 elegant color choices.



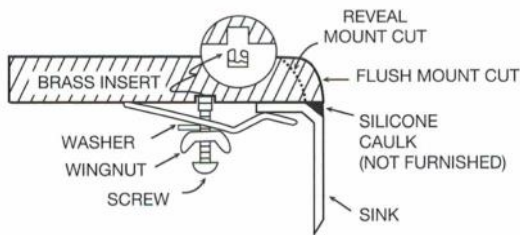
<b>Series:</b>	Quartz QU Series
<b>Material:</b>	80% quartz / 20% acrylic resin
<b>Installation Type:</b>	Undermount
<b>Configuration:</b>	Single bowl
<b>Overall dimensions:</b>	24-3/8" x 19-1/8"
<b>Bowl dimensions:</b>	22" x 16-3/4" x 9"
<b>Drain size:</b>	3-1/2"
<b>Min. cabinet size:27</b>	36"
<b>Template included:</b>	Yes
<b>Clips included:</b>	Yes
<b>Finishes / Colors:</b>	White, Bisque, Brown, Black, Grey, Concrete



Sinks are listed with IAPMO and meet the requirements of the Uniform Plumbing Code, International Plumbing Code and the National Plumbing Code of Canada.



**INSTALLATION METHOD**



**PROJECT INFORMATION**

PROJECT: \_\_\_\_\_

CONTACT: \_\_\_\_\_

DATE: \_\_\_\_\_

NOTES: \_\_\_\_\_

\_\_\_\_\_

\_\_\_\_\_

**APPROVAL:**

**OPTIONAL ACCESSORIES**

MODELS	COLOR	STRAINER	FLANGE	GRID
• QU-820-WH	White	QBSWH	QDFWH	GR-6022
• QU-820-BI	Bisque	QBSBI	QDFBI	GR-6022
• QU-820-BL	Black	QBSBL	QDFBL	GR-6022
• QU-820-BR	Brown	QBSBR	QDFBR	GR-6022
• QU-820-CN	Concrete	QBSCN	QDFCN	GR-6022
• QU-820-GR	Grey	QBGR	QDFGR	GR-6022

We reserve the right to update product specifications without notice. Please visit [karran.com](http://karran.com) for the most current specification sheets. All dimensions are accurate to 1/4". REV 05-2022