

Karran Sternhagen quartz sinks are exquisitely designed and manufactured from a durable quartz composite material that makes them incredibly tough and resilient to even the toughest daily tasks. They contain 80% natural quartz crystals and 20% high performance acrylic resins making them highly scratch, stain and chip resistant. This easy-to-install vessel mount design is available in a selection of 3 elegant colors. All Sternhagen sinks are designed to be vessel mounted above the countertop, allowing for more storage space in the cabinet below.



SQS100BL
Black



Sinks are listed with IAPMO and meet the requirements of the Uniform Plumbing Code, International Plumbing Code and the National Plumbing Code of Canada.

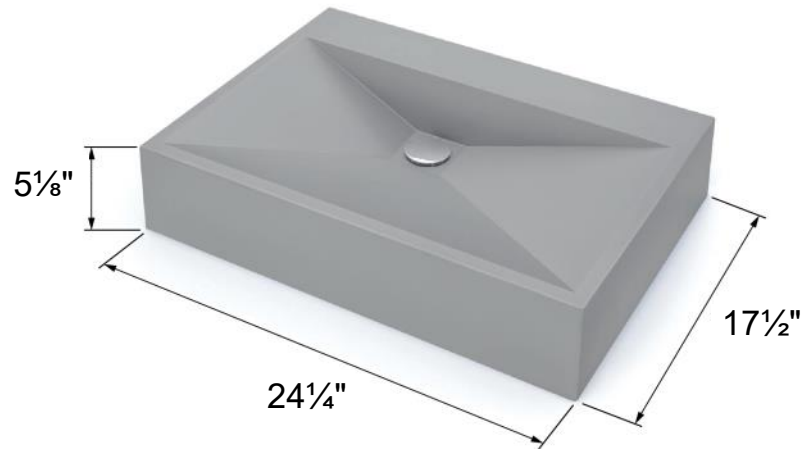
Series:	Sternhagen Collection
Material:	80% quartz / 20% acrylic resin
Installation Type:	Vessel mount
Configuration:	Single bowl
Dimensions:	24-1/4" x 17-1/2" x 5-1/8"
Drain size:	1-3/4"
Accessories included:	No
Finishes / Colors:	White, Black, Grey



SQS100WH
White



SQS100GR
Grey



PROJECT INFORMATION

PROJECT: _____

CONTACT: _____

DATE: _____

NOTES: _____

APPROVAL:

RECOMMENDED TOOLING FOR INSTALLATION

- 100% Clear silicone
- Adjustable wrench

OPTIONAL ACCESSORIES

- PU25C [Chrome]
- PU25MB [Matte black]
- PU25SS [Stainless steel]

We reserve the right to update product specifications without notice. Please visit karran.com for the most current specification sheets. All dimensions are accurate to 1/4". REV 5-2022