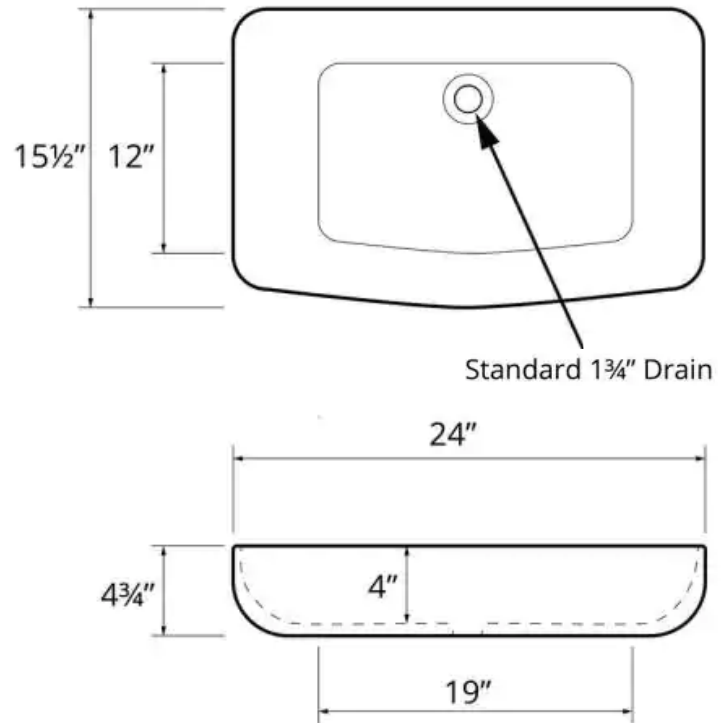


Karran's Valera Collection comprises a wide array of elegant models that include undermount sinks, top mount sinks and vessel sinks. These vitreous china bathroom sinks feature a durable double-glazed, high gloss finish that is both stain, scratch and scuff resistant. All models in the Valera Collection are available in crisp white finish that is easy to clean and care for. Consider them the perfect choice for any residential or commercial bathroom project. Pair your Valera sink with a Karran bathroom faucet. Shorter faucets are suitable for undermount and top mount sinks. Select a taller faucet for all vessel sink installations.



|                               |                              |
|-------------------------------|------------------------------|
| <b>Series:</b>                | Valera Collection            |
| <b>Material:</b>              | Double-glazed vitreous china |
| <b>Installation Type:</b>     | Vessel mount                 |
| <b>Configuration / Style:</b> | Single bowl                  |
| <b>Finish:</b>                | Gloss finish                 |
| <b>Overall dimensions:</b>    | 24" x 15-1/2" x 4-3/4"       |
| <b>Bowl dimensions:</b>       | 23" x 14-1/2" x 4"           |
| <b>Drain size:</b>            | 1-3/4"                       |
| <b>Min. cabinet size:</b>     | 27"                          |
| <b>Template included:</b>     | No                           |
| <b>Clips included:</b>        | No                           |
| <b>Accessories included:</b>  | No                           |
| <b>Colors available:</b>      | White                        |



**PROJECT INFORMATION**

PROJECT: \_\_\_\_\_

CONTACT: \_\_\_\_\_

DATE: \_\_\_\_\_

NOTES: \_\_\_\_\_

\_\_\_\_\_

\_\_\_\_\_

**APPROVAL:**

**RECOMMENDED TOOLING FOR INSTALLATION**

- 100% Clear silicone
- Adjustable wrench

**OPTIONAL ACCESSORIES**

- PU25C [Chrome]
- PU25MB [Matte black]
- PU25SS [Stainless steel]

We reserve the right to update product specifications without notice. Please visit [karran.com](http://karran.com) for the most current specification sheets. All dimensions are accurate to 1/4". REV 05-2022