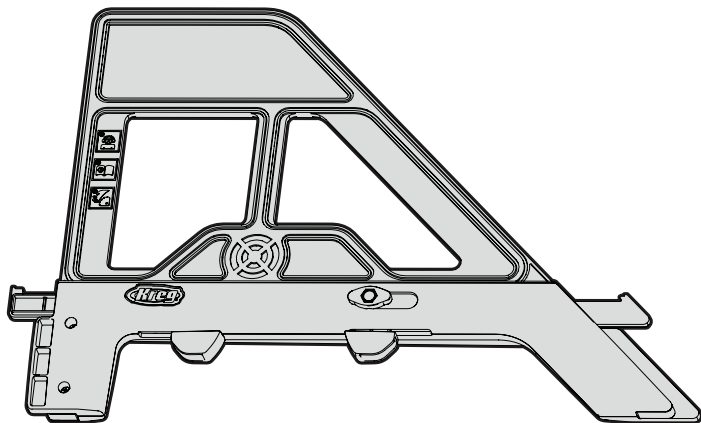


OWNER'S MANUAL



Portable Crosscut

Manual applies to Item # KMA4000, KMA4000-E, and KMA4000-INT



WARNING Every user must read and follow instructions and safety precautions in this manual. Failure to do so could result in serious injury. Save manual for future reference.

We're here to help.

We want you to have an exceptional project building experience. If you have questions or need support, please get in touch.
1-800-447-8638 | technicalsupport@kregtool.com

Tell us about your experience.

Your opinion counts. And we're always looking for ways to improve. Share your feedback so we can keep growing and innovating for you.
www.kregtool.com/feedback

English	2
French (N. America)	7
Spanish (N. America)	13
French	19
Spanish	25
German	31

Table of Contents

Safety Precautions	2
Pre-Operation.	3
Product Description	3
Operation	4
Care and Cleaning	5
Troubleshooting.	5

Safety Precautions

WARNING Before using a power tool with this product, read, and follow the tool manufacturer's instructions and safety precautions in addition to the safety precautions below to reduce risk of serious injury from hazards such as fire, electric shock, or rotating saw blade.

- Follow your saw manufacturer's safety guidelines.
- Always wear personal protective equipment you certify as adequate in addition to what your saw manufacturer requires.
- Do not allow familiarity gained from frequent use of your tools to replace safe work practices. A moment of carelessness is sufficient to cause serious injury.
- Avoid awkward hand positions where a sudden slip could cause contact with the rotating blade.

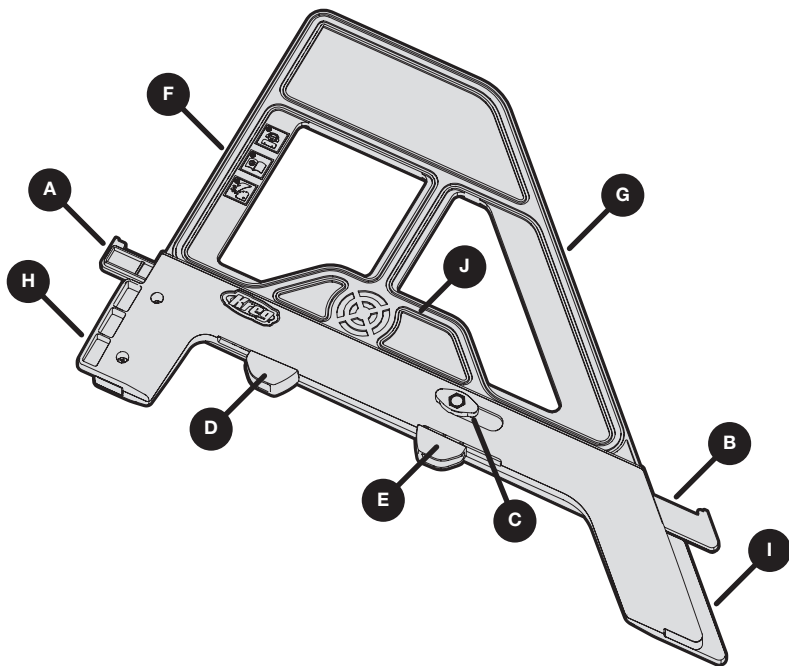
WARNING Do not operate this tool or any machinery while under the influence of drugs, alcohol, or medications.

WARNING This product can expose you to chemicals including Acrylonitrile, which is known to the State of California to cause cancer. For more information go to www.P65Warnings.ca.gov.

Pre-Operation

Review this section before you begin. Ensure you have all tools/materials on hand and compare the product with the items listed in the Product Description section. If any item appears missing or lost, do not use this product. Contact Technical Support or return the product to place of purchase.

Product Description



Part	Description
A	Retractable cut line indicator for 90° cuts
B	Retractable cut line indicator for 45° cuts
C	Cut line indicator lock knob
D	Cut line indicator thumb lever for 90° cuts
E	Cut line indicator thumb lever for 45° cuts

Part	Description
F	90° Saw guide edge
G	45° Saw guide edge
H	Saw support ledge for 90° cuts
I	Saw support ledge for 45° cuts
J	SureGrip™ material

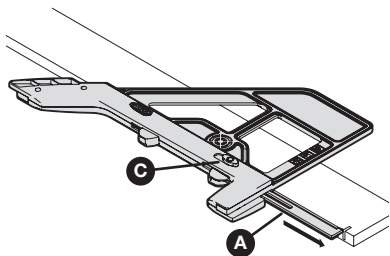
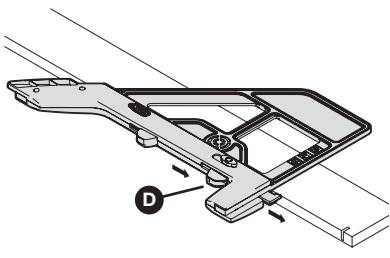
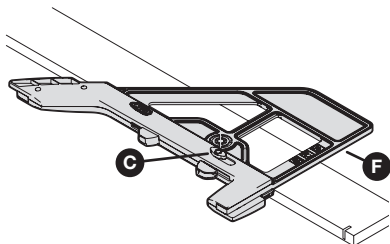
Operation

Complete the steps in this section to calibrate and then use your portable crosscut guide.

WARNING Avoid awkward hand positions where a sudden slip could cause contact with the rotating blade.

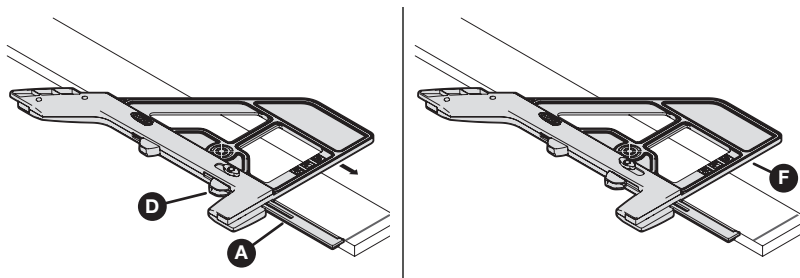
1 Calibrate the Crosscut Guide

- On a scrap piece of lumber, align the 90° saw guide edge (F) to the base plate of your saw and notch the wood. While still holding the crosscut guide in place, set the saw aside.
- Loosen the cut line indicator lock knob (C) and use the 90° thumb lever (D) to extend outward to the stop.
- While still holding the 90° thumb lever (D) extended outward, use your other hand to pull the 90° cut line indicator (A) out until the end is even with the closest edge of the notch/kerf. Tighten in place using the cut line indicator lock knob (C). You now have your offset distance set.
- To calibrate to a 45° angle, repeat this procedure for the 45° side of the crosscut guide.



2 Use the Crosscut Guide to Cut Your Workpiece

- Mark your workpiece to your desired length.
- Place the crosscut guide on the workpiece. Extend and hold the 90° thumb lever (D) all the way to the stop.
- Align the 90° cut line indicator (A) to the mark on the workpiece, then release the 90° thumb lever (D) while still holding the crosscut guide in place to retract the 90° cut line indicator (A).
- Align your saw to the 90° saw guide edge (F) and cut the workpiece to your desired length.
- To cut at a 45° angle, repeat this procedure for the 45° side of the crosscut guide.



Care and Cleaning

Keep SureGrip™ surfaces clean of dust and debris.

Troubleshooting

Problem	Possible Cause	Solution
The cut line is not accurate.	The cut line indicator moved.	Recalibrate the guide.
The cut line indicator(s) do not retract or stick.	The slide mechanism has debris impeding the cut line indicator movement.	Use compressed air or an air compressor to blow the debris from the slide mechanism.
The cut is not accurate.	The saw blade is not parallel to the edge of the saw base.	See the saw owner's manual.
	The cut line indicators have been knocked out of calibration.	Refer to the calibration procedure in this manual.