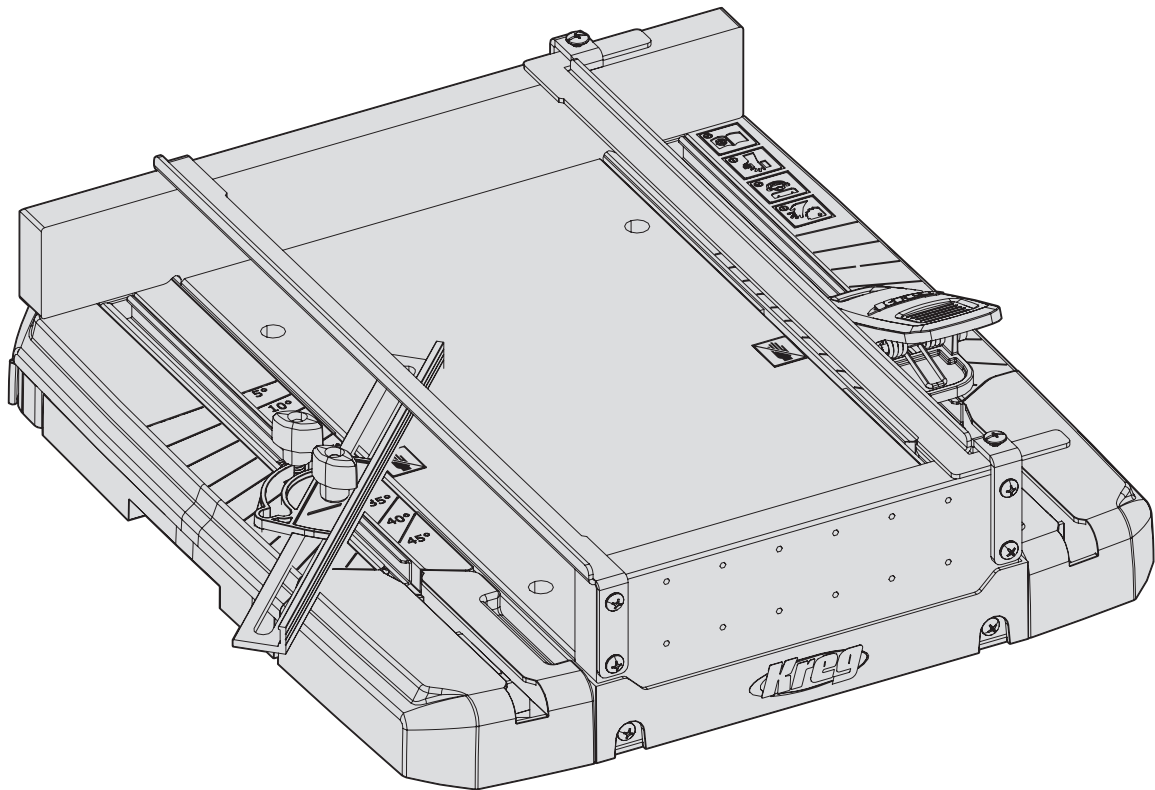


# OWNER'S MANUAL



## Crosscut Station

Manual applies to Item # KMA4100 and KMA4100-INT



**WARNING** Every user must read and follow instructions and safety precautions in this manual. Failure to do so could result in serious injury. Save manual for future reference.

### We're here to help.

We want you to have an exceptional project building experience. If you have questions or need support, please get in touch.  
1-800-447-8638 | [technicalsupport@kregtool.com](mailto:technicalsupport@kregtool.com)

### Tell us about your experience.

Your opinion counts. And we're always looking for ways to improve. Share your feedback so we can keep growing and innovating for you.  
[www.kregtool.com/feedback](http://www.kregtool.com/feedback)

English	2
French (N. America)	11
Spanish (N. America)	21
French	31
Spanish	41
German	51

# Table of Contents

Safety Precautions . . . . .	2	Operation . . . . .	6
Pre-Assembly . . . . .	2	Make your Kerf Line Cut . . . . .	6
Recommended Tools (Not Included). . . . .	3	Make a 90° Cut . . . . .	7
Hardware Included. . . . .	3	Cut Different Angles . . . . .	8
Product Description . . . . .	3	Cut Long Workpieces . . . . .	8
Assembly . . . . .	4	Care and Cleaning . . . . .	9
		Troubleshooting . . . . .	9

## Safety Precautions

**WARNING** Before using a power tool with this product, read, and follow the tool manufacturer's instructions and safety precautions in addition to the safety precautions below to reduce risk of serious injury from hazards such as fire, electric shock, or rotating saw blade.

- Follow your saw manufacturer's instructions and safety precautions.
- Always wear personal protective equipment required by the saw manufacturer.
- Do not allow familiarity gained from frequent use of your tools to replace safe work practices. A moment of carelessness is sufficient to cause serious injury.
- Avoid awkward hand positions where a sudden slip could cause contact with the rotating blade.
- This product is only intended for use with circular saws. Not intended for use with other power tools such as routers or jig saws.
- Always secure the cutting station to prevent movement while cutting.
- Do not attempt bevel cuts with this product.
- Inspect your workpiece before cutting. If the workpiece is bowed or warped, ensure there is no gap between the workpiece and fence along the cut line.
- Always secure the workpiece with a firm grip ensuring your hand stays outside of the cutting area as designated by the symbol.



**WARNING** Do not operate this tool or any machinery while under the influence of drugs, alcohol, or medications.

**WARNING** This product can expose you to chemicals including Acrylonitrile, which is known to the State of California to cause cancer. For more information go to [www.P65Warnings.ca.gov](http://www.P65Warnings.ca.gov).

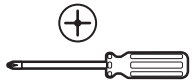
**WARNING** Drilling, sawing, sanding or machining wood products can expose you to wood dust, a substance known to the State of California to cause cancer. Avoid inhaling wood dust or use a dust mask or other safeguards for personal protection. For more information go to [www.P65Warnings.ca.gov/wood](http://www.P65Warnings.ca.gov/wood).

## Pre-Assembly

**WARNING** Avoid cutting irregular-shaped workpieces that can twist, rock, or slip while being cut.

Review this section before you begin. Ensure you have all tools/materials that were in the package on hand and compare them with the items listed in the Hardware Included and Product Description sections. If any item is missing, do not use this product. Contact customer service or return product to place of purchase.

## Recommended Tools (Not Included)



Phillips Screwdriver

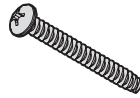
## Hardware Included



AA - Small Screw – 12

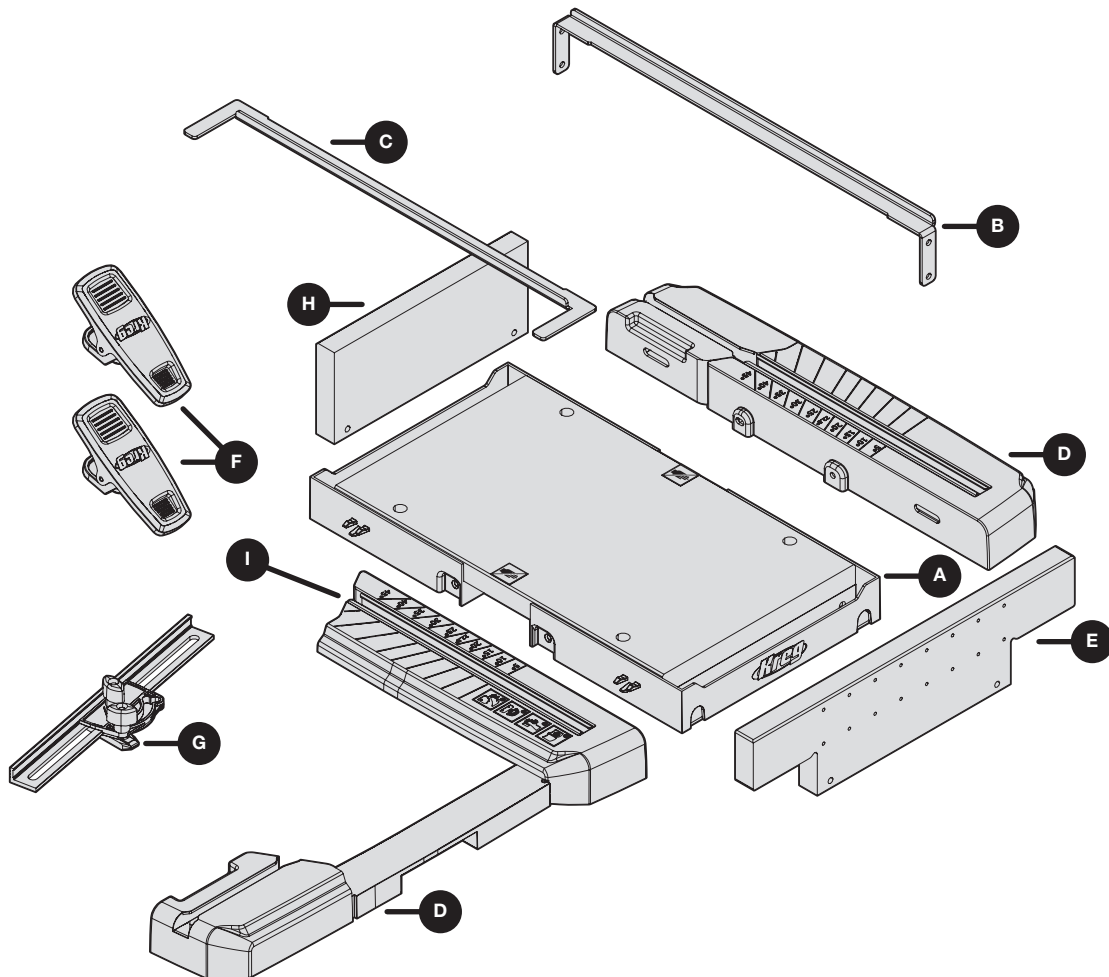


BB - Rail Bracket with  
Top Screw – 2



CC - Large Screw – 4

## Product Description



Part	Description
A	Cutting base
B	Fixed saw guide rail
C	Adjustable saw guide rail
D	Material support wings with detachable blocks
E	Sure-Cut™ back board

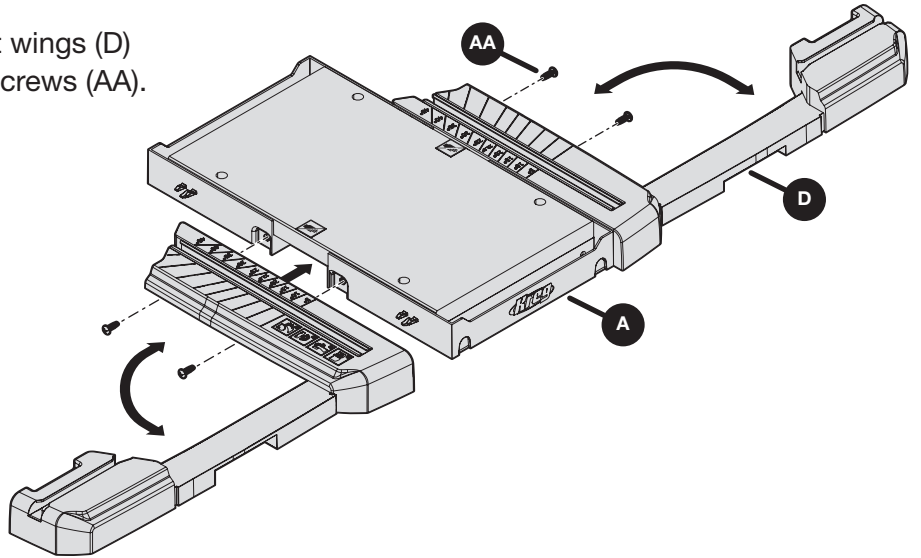
Part	Description
F	Material hold-down clamps
G	Adjustable fence
H	Front blade guard actuator board
I	Angle indicators

# Assembly

Complete the steps in this section to assemble your Crosscut Station.

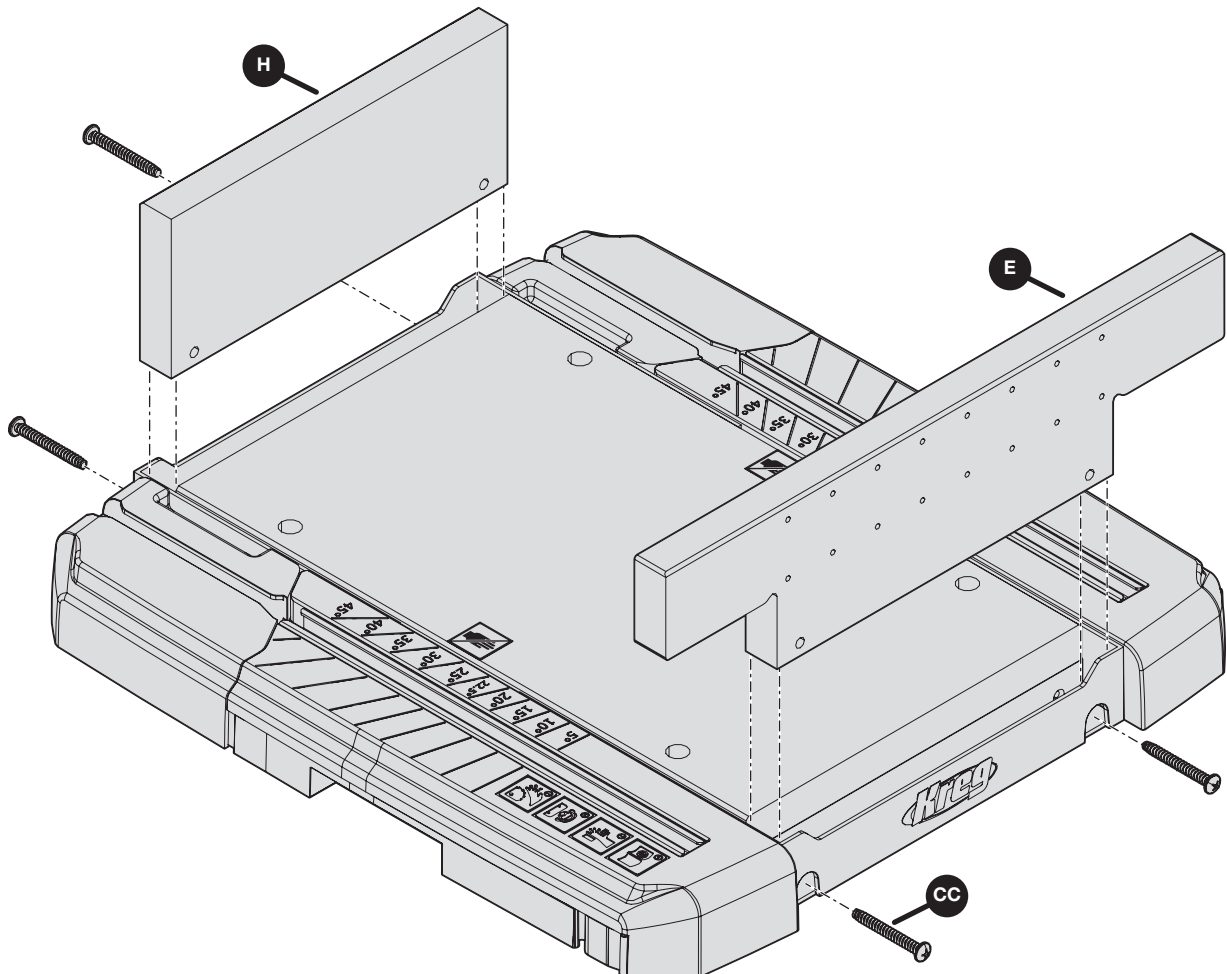
## 1 Attach the Material Support Wings

- a. Attach the right and left material support wings (D) to the cutting base (A) using four small screws (AA).



## 2 Attach the Sure-Cut™ Back Board

- a. Attach the front blade guard actuator board (H) and Sure-Cut™ back board (E) in place using four large screws (CC).

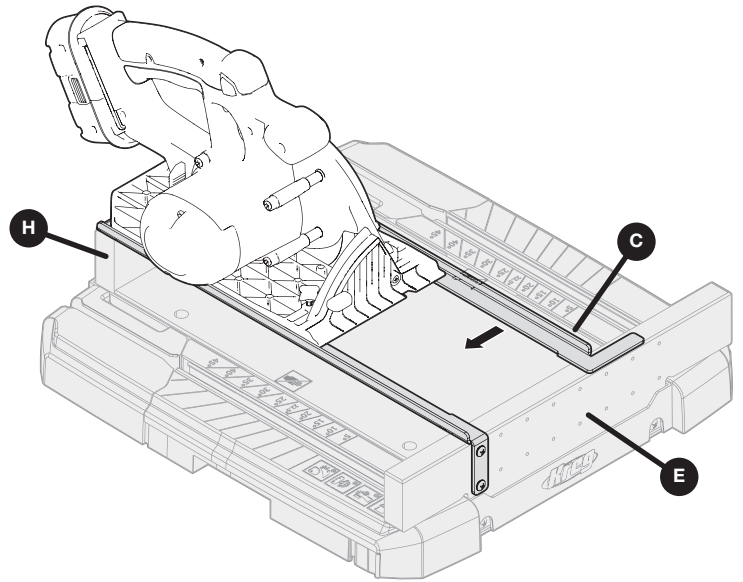
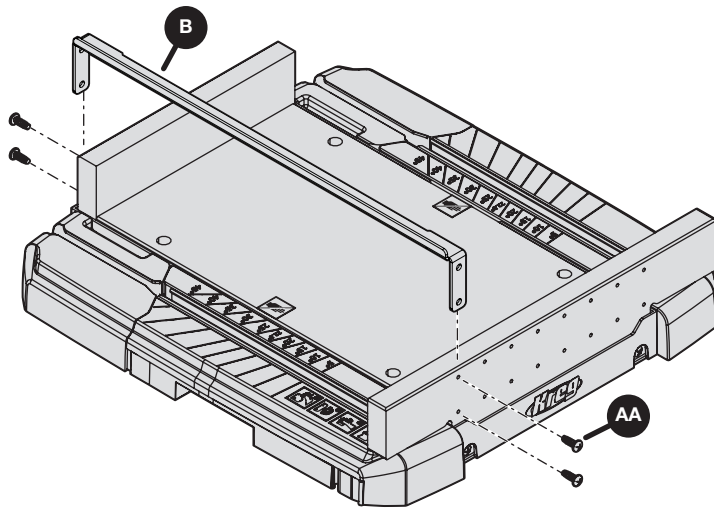


### 3 Attach the Guide Rails

**WARNING** Ensure rails are installed per the instructions below to keep your hand a safe distance from the rotating blade while cutting.

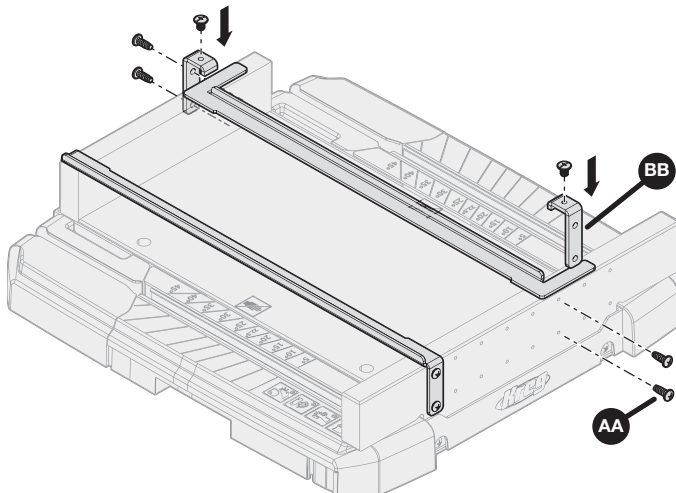
- Ensure your saw blade is as centered as possible on the cutting surface. To accomplish this, set your fixed saw guide rail (B) on the front and back boards (H and E) on the side opposite of your blade (as shown).
- Set your adjustable saw guide rail (C) on the front and back boards (H and E) to the width of your saw base plate.
- Position the saw so that the blade is as centered as possible, and secure the fixed saw guide rail (B) to the corresponding holes in the front and back boards (H and E).

**Note** Depending on your saw type, this may result in the fixed rail being opposite the picture shown. The goal is to have your saw blade positioned as centered as much as possible in the cutting surface.



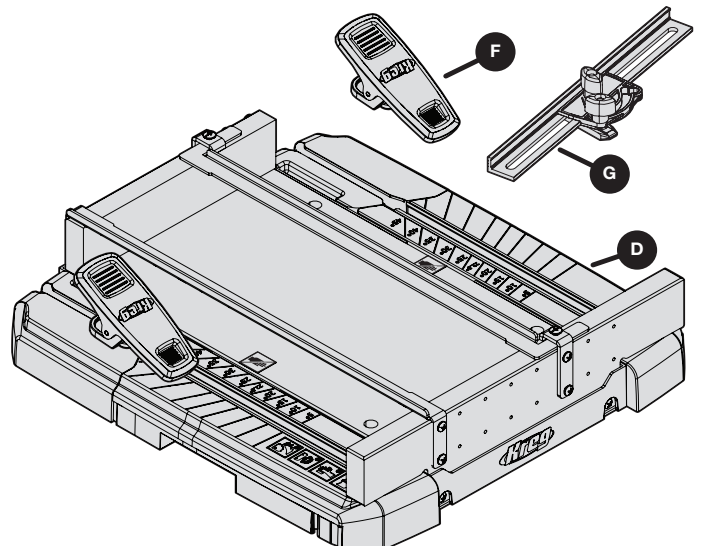
### 4 Attach the Rail Brackets

- Set your saw aside and connect the adjustable saw guide rail brackets (BB) to the closest available holes on the front and back boards (H and E) using small screws (AA).
- Tighten the top screws on the brackets (BB) to fix rail in place.



### 5 Attach the Fence and Clamps

- If needed, slide the adjustable fence (G) and/or material hold-down clamps (F) into place on the material support wings (D).

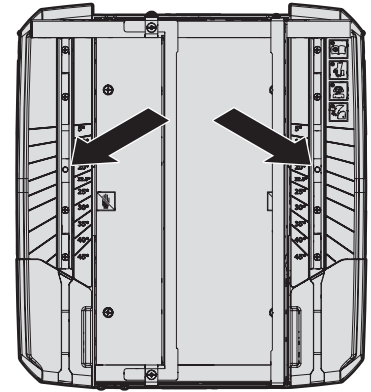


# Operation

**WARNING** Always make sure the Crosscut Station is secured to prevent movement while cutting.

Use the procedures in this section to begin using your Crosscut Station. The following examples show placement for a left blade saw.

Sure-Grip™ feet help to hold Crosscut Station in place while cutting. If a stronger hold is needed, you can affix the station to your work bench using two screws (not provided) and attaching through the holes in the side tracks, as shown by the arrows on the right.

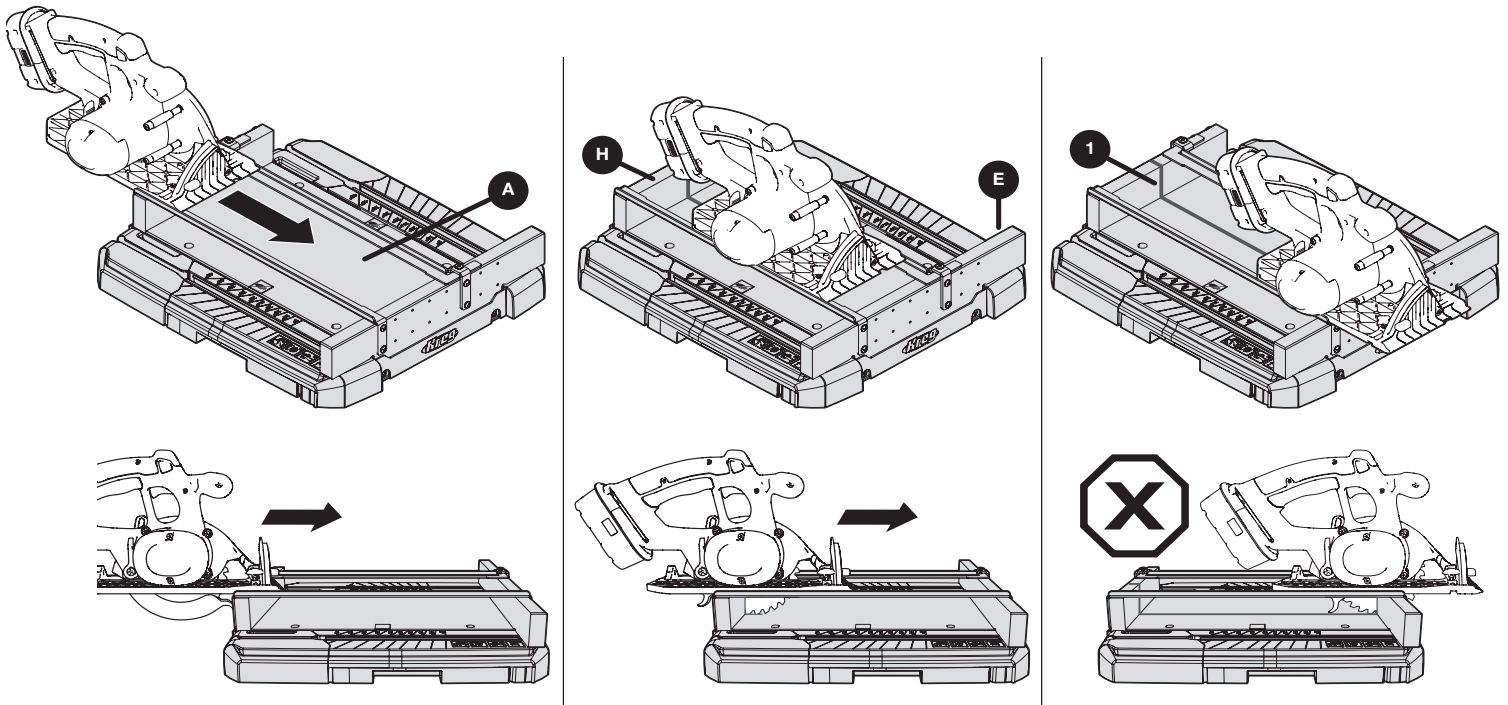


## Make your Kerf Line Cut

- Before you make your kerf line, set the saw cut depth to 2" (just enough to score the bottom cut surface of the cutting base (A)).
- Align the base of your saw to the rails behind the front blade guard actuator board (H).
- Start your saw, and while keeping your saw flat to the guide rails, allow the front blade guard actuator board (H) to engage the blade guard while making a cut through it.

**WARNING** Do not try to lower the saw into the cut by using one hand to open the blade guard. Doing so could result in a saw kick back and serious injury.

**ATTENTION** Stop the saw and allow the blade to come to a stop once the center of the saw blade has cut through the Sure-Cut™ back board (E). Pushing well beyond the rails can cause a widening of your kerf line (1) and could affect your cut accuracy. See the images below for the proper stopping point as noted by the X symbol.



## Make a 90° Cut

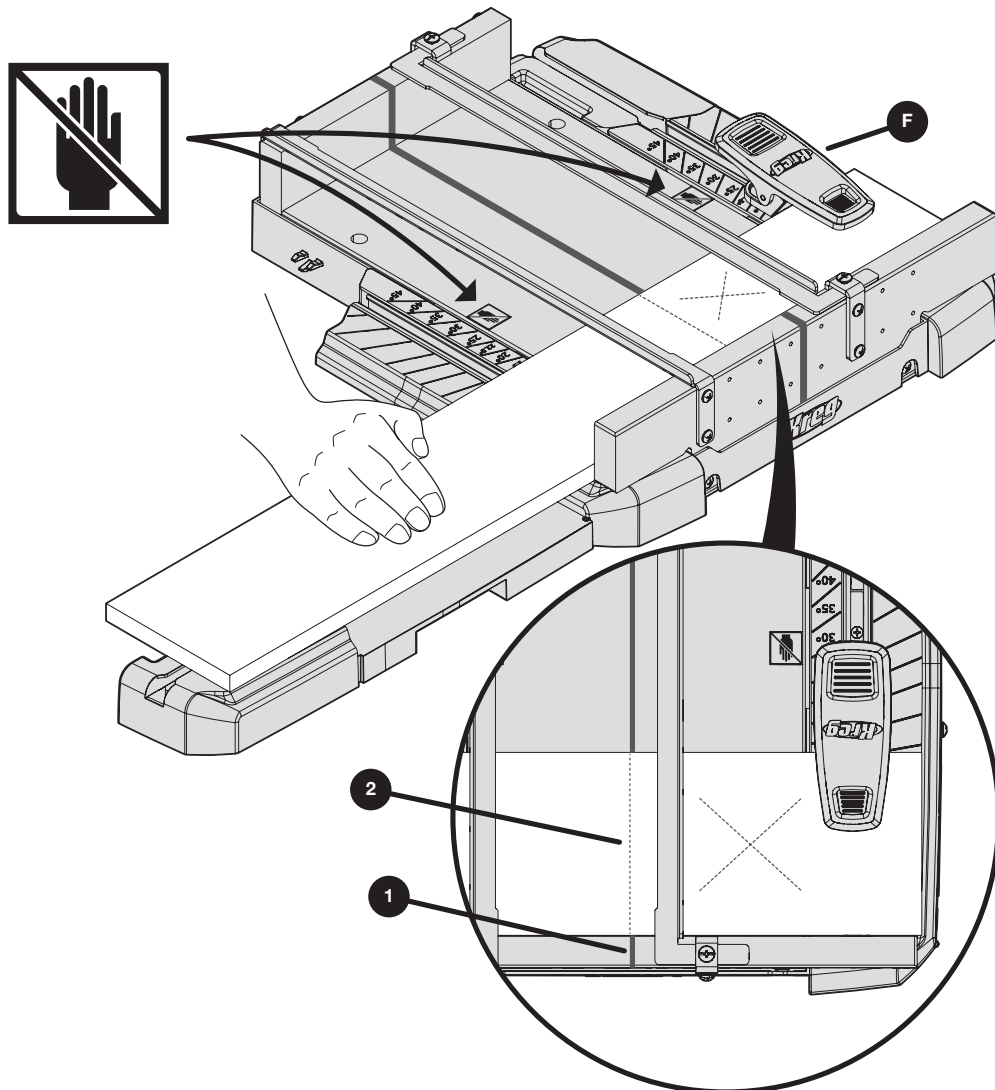
- Mark your workpiece to the desired length (2).
- Align the mark (2) with one edge of the saw kerf line (1), making sure that the workpiece is aligned to the blade so the blade will cut through the cutoff (waste) portion of the board (marked with an X in the illustration), and not through the side of the workpiece you want to keep.
- Use the clamps (F) to help hold the workpiece on either side of the rails. In addition, use your hands to hold your workpiece outside of the cutting surface.

**WARNING** Do not reach behind the saw blade or the fence with either hand to hold down or support the workpiece, remove wood scraps, or for any other reason while cutting. The spinning saw blade may be so close to your hand that you may be seriously injured.

- Align the front of your saw base to the rails and start the saw. Move the saw through the cut until you have cut entirely through your workpiece (center of the blade at the Sure-Cut™ back board).
- Stop the saw and release the trigger while the saw is still on the rails. Once the motor has stopped, lift your saw and remove the workpiece and cutoff piece from the cutting station. This step keeps your kerf line true to your saw.

**WARNING** Do not cut pieces that are too small to be securely held or clamped.

**WARNING** Always secure the workpiece with a firm grip ensuring your hand stays outside of the cutting area as designated by the symbol.



## Cut Different Angles

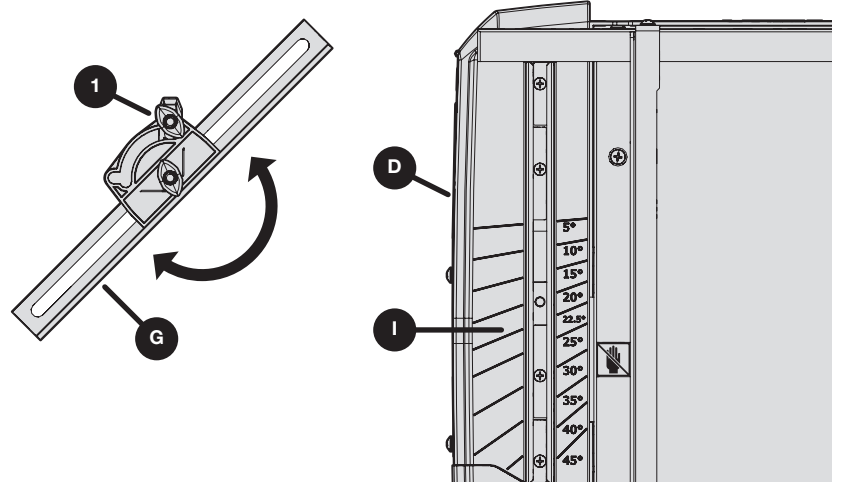
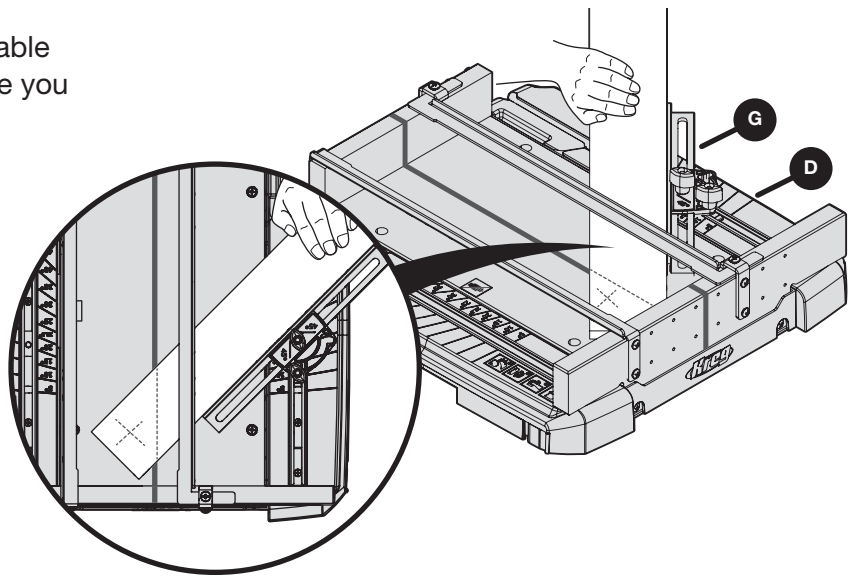
**ATTENTION** The width of the board you will be able to cut will vary depending on your saw and where you position the fence.

**ATTENTION** If you are not cutting the angle on the end of the board, cut to length at 90° before cutting the angle.

a. Position the front of the adjustable fence (G) to the desired angle line on the material support wings (D) on either side of the cutting station and tighten in place.

**WARNING** Position the end of the workpiece away from the Sure-Cut™ back board to avoid binding of the blade and kickback.

b. Tighten the fence in place and then follow the steps and precautions in **Make a 90° Cut** for making the cut.

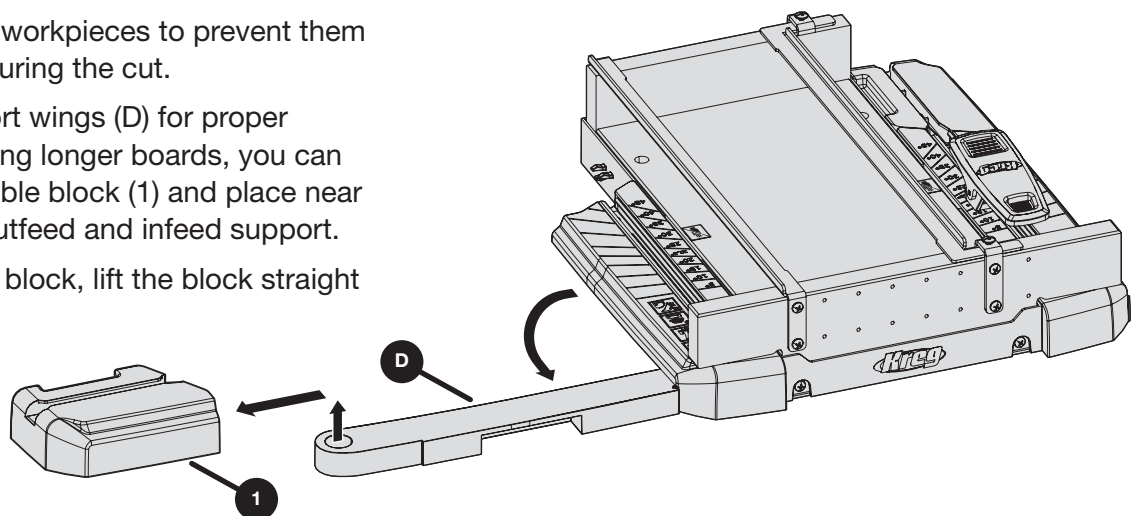


## Cut Long Workpieces

**WARNING** Support long workpieces to prevent them from sagging or shifting during the cut.

Extend the material support wings (D) for proper support for the cut. If cutting longer boards, you can easily remove the detachable block (1) and place near the end of the board for outfeed and infeed support.

To remove the detachable block, lift the block straight up from the support wing.



## Care and Cleaning

Keep dust and debris clear of all surfaces, including under the Crosscut Station and all Sure-Grip™ surfaces.

## Troubleshooting

If accuracy of cuts is affected by misuse or improperly tightened parts, please contact our Customer Experience Team for assistance in replacement of cutting surfaces.