



# 4x4 Pocket Door Slide Ordering Guide

- Max. Door Dimensions:  
72" H x 26" W
- Max. Weight: 75 lbs.

## Inset and Partial Overlay

### Step 1: SLIDES

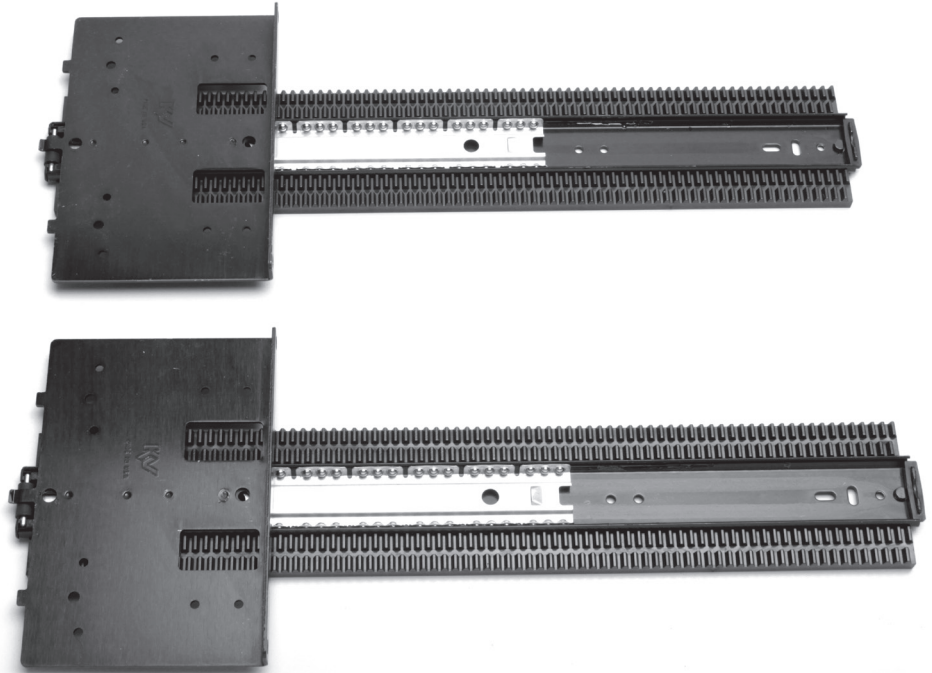
#### 8091:

1 pair of Slides packed without  
Hinges or Hinge Bases

Part Number: 8091P EB XX  
(XX=Length) - *example: 8091P EB 24*

Length: 12", 13", 14", 15", 16", 18",  
20", 22", 24", 26", 28", 30"

Quantity Per Door: 1



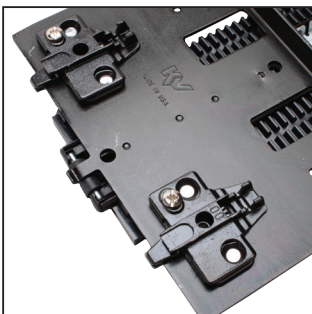
#### 8092:

1 pair of Slides packed with  
attached Hinge Base

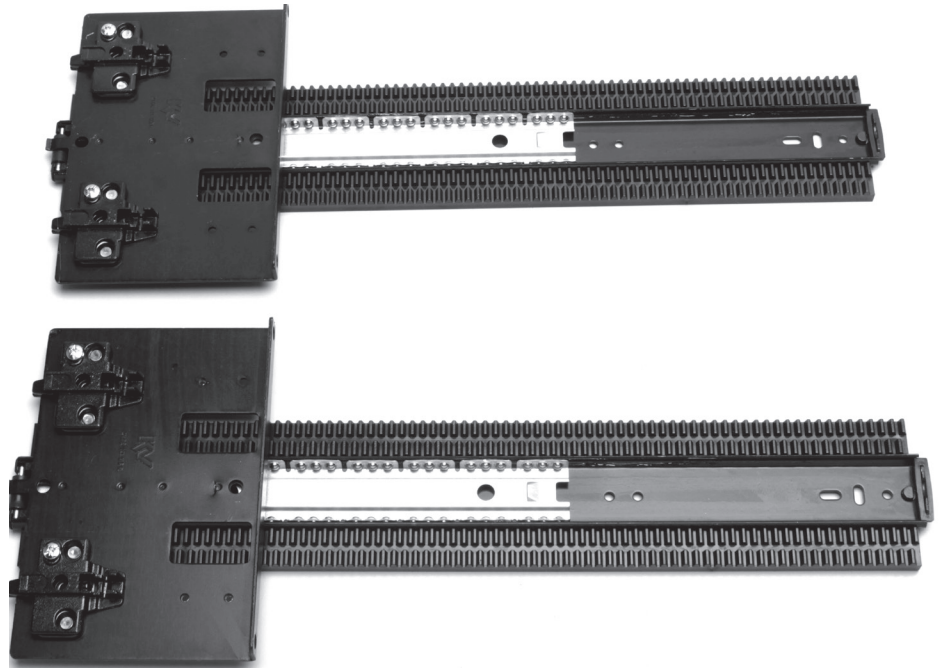
Part Number: 8092P EB XX  
(XX=Length) - *example: 8092P EB 24*

Length: 12", 13", 14", 15", 16",  
18", 20", 22", 24", 26", 28", 30"

Quantity Per Door: 1



Attached Hinge Base





# 4x4 Pocket Door Slide Ordering Guide

- Max. Door Dimensions: 72" H x 26" W
- Max. Weight: 75 lbs.

## Inset and Partial Overlay

### Step 2: HINGES

#### FOR 8091



Part Number	Description	Cup Size	Door Thickness	Finish	# of Hinges	# of Bases	Fasteners
8080 HKS SAL EB	Standard	35mm	3/4"	Black	2	2	Yes
8080 HKL SAL EB	Overlay Door	40mm	3/4"	Black	2	2	Yes
8086 HKX SAL EB	Extra Thick Door	40mm	1-1/4"	Black	2	2	Yes
8080 HKS SAL	Standard	35mm	3/4"	Nickel	2	2	Yes
8080 HKF SAL	Standard w/ Free Swing	35mm	3/4"	Nickel	2	2	Yes
8080 HKL SAL	Overlay Door	40mm	3/4"	Nickel	2	2	Yes
8086 HKX SAL	Extra Thick Door	40mm	1-1/4"	Nickel	2	2	Yes

Quantity Per Door: 2

#### FOR 8092



Part Number	Description	Cup Size	Door Thickness	Finish	# of Hinges	# of Bases	Fasteners
8080 HKEZSEB	Standard	35mm	3/4"	Black	2	Bases attached to slide (8092 series)	Yes
8080 HKEZLEB	Overlay	40mm	3/4"	Black	2	Bases attached to slide (8092 series)	Yes
8085 HKEZTEB	Thick Door	40mm	1"	Black	2	Bases attached to slide (8092 series)	Yes
8086 HKEZXEB	Extra Thick Door	40mm	1-1/4"	Black	2	Bases attached to slide (8092 series)	Yes
8080 HKEZS	Standard	35mm	3/4"	Nickel	2	Bases attached to slide (8092 series)	Yes
8080 HKEZF	Standard w/ Free Swing	35mm	3/4"	Nickel	2	Bases attached to slide (8092 series)	Yes
8080 HKEZL	Overlay	40mm	3/4"	Nickel	2	Bases attached to slide (8092 series)	Yes
8085 HKEZT	Thick Door	40mm	1"	Nickel	2	Bases attached to slide (8092 series)	Yes
8086 HKEZX	Extra Thick Door	40mm	1-1/4"	Nickel	2	Bases attached to slide (8092 series)	Yes

Quantity Per Door: 2



# 4x4 Pocket Door Slide Ordering Guide

- Max. Door Dimensions: 72" H x 26" W
- Max. Weight: 75 lbs.

## Inset and Partial Overlay

### Step 3: PINION SHAFTS

- Pinion Shafts can be cut to length



8092 Pinion Shaft		
Black Finish - Two (2) Shaft Pack		
Length	Part #	Qty.
36"	8092SB EB 36	2
48"	8092SB EB 48	2
72"	8092SB EB 72	2



8090 Pinion Shaft		
Black Finish - Ten (10) Shaft Pack		
Length	Part #	Qty.
36"	8090B EB 36	10
48"	8090B EB 48	10
72"	8090B EB 72	10

## STEP 4: RAISED PANEL CASSETTE ROLLER:

### 8090P CR Raised Panel Cassette Roller

Part #: 8090P CR

Additional protection for raised panel doors



## Full Overlay - Requires the use of a partition wall within the cabinet or opening.

### Step 1: SLIDES - 8091 ONLY

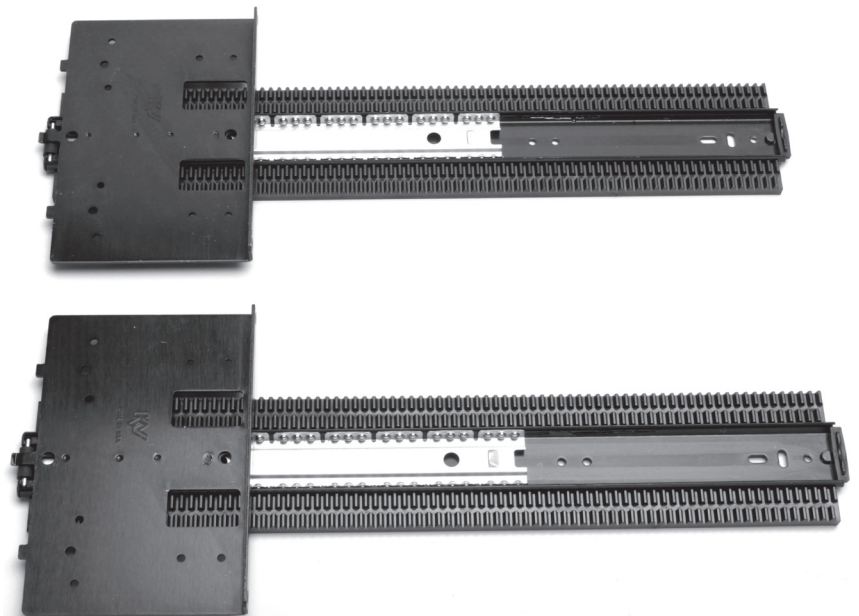
1 pair of Slides packed without Hinges or Hinge Bases

Part Number: 8091P EB XX

(XX=Length) - *example: 8091P EB 24*

Length: 12", 13", 14", 15", 16", 18", 20", 22", 24", 26", 28", 30"

Quantity Per Door: 1





# 4x4 Pocket Door Slide Ordering Guide

- Max. Door Dimensions: 72" H x 26" W
- Max. Weight: 75 lbs.

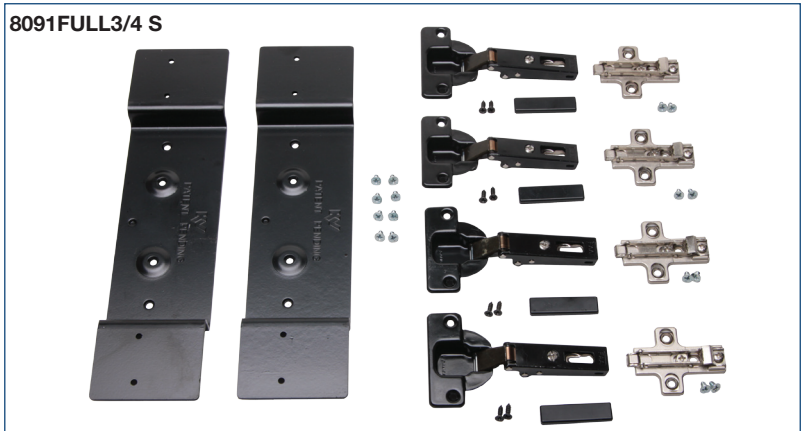
**Full Overlay - Requires the use of a partition wall within the cabinet or opening.**

## Step 2: FULL OVERLAY KITS

### FULL OVERLAY KITS

Includes: Brackets, Hinges, Hinge Bases, Fasteners

Kit	Hinge Compatibility	Qty. Needed Per Door
8091FULL3/4 M	Grass	1
8091FULL3/4 S	Salice	1



### Typical Overlay Applications

Door Thickness	Amount of Overlay	Pocket Width
3/4"	3/4"	1-3/4"
13/16"	11/16"	1-13/16"
7/8"	5/8"	1-7/8"
15/16"	9/16"	1-15/16"
1"	1/2"	2"
1-1/16"	7/16"	2-1/16"
1-1/8"	3/8"	2-1/8"
1-3/16"	5/16"	2-3/16"
1-1/4"	1/4"	2-1/4"

## Step 3: PINION SHAFTS

- Pinion Shafts can be cut to length



### 8092 Pinion Shaft

Black Finish - Two (2) Shaft Pack

Length	Part #	Qty.
36"	8092SB EB 36	2
48"	8092SB EB 48	2
72"	8092SB EB 72	2



### 8090 Pinion Shaft

Black Finish - Ten (10) Shaft Pack

Length	Part #	Qty.
36"	8090B EB 36	10
48"	8090B EB 48	10
72"	8090B EB 72	10

## STEP 4: RAISED PANEL CASSETTE ROLLER:

### 8090P CR Raised Panel Cassette Roller

Part #: 8090P CR

Additional protection for raised panel doors

