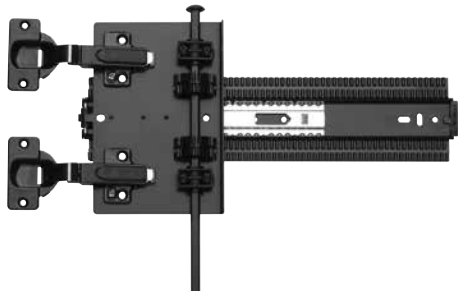


# 8091, 8092 Pivot Door Slides



## Features

- Rack and pinion design
- Multiple hinge options
- Greatly reduces door sag
- Requires partition installation

8091: Hinge and baseplate not included  
 8092: Baseplate attached; hinge must be ordered separately  
 Mounting: Side mount  
 Action: Ball bearing movement  
 Load rating: 75-pound class  
 Maximum Dimensions:

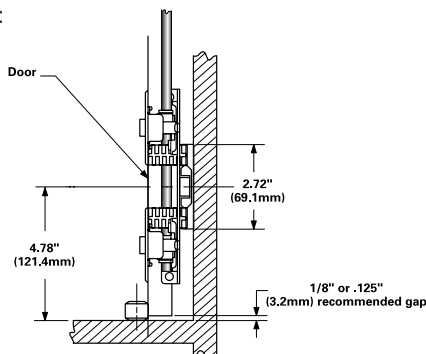
Vertical doors: 72" high x 26" wide

Clearance:

Maximum Slide Width Including Hinges		
Type	Standard	Salice
Self-close hinge	1-23/32 inch	1-21/32 inch
Free-swing hinge	1-23/32 inch	1-21/32 inch
Overlay hinge	1-23/32 inch	1-7/8 inch
Thick door hinge	2-3/32 inch	–
Extra-thick door hinge	2-13/32 inch	2-5/16 inch

Finish: Ebony Black (EB)

Profile:



## 8090P CR Raised Panel Cassette Roller



Additional protection for raised panel doors

Product	Pack
8090P CR	1 per poly pack with screws

## Configurations

Poly (P)	1 set per bag; 6 sets per carton - with screws
----------	--

8091 Ebony Black (EB)		8092 Ebony Black (EB)	
Size	Poly (P)	Size	Poly (P)
12 inch	8091P EB 12	12 inch	8092P EB 12
14 inch	8091P EB 14	14 inch	8092P EB 14
16 inch	8091P EB 16	16 inch	8092P EB 16
18 inch	8091P EB 18	18 inch	8092P EB 18
20 inch	8091P EB 20	20 inch	8092P EB 20
22 inch	8091P EB 22	22 inch	8092P EB 22
24 inch	8091P EB 24	24 inch	8092P EB 24
26 inch	8091P EB 20	26 inch	8092P EB 20
28 inch	8091P EB 22	28 inch	8092P EB 22
30 inch	8091P EB 24	30 inch	8092P EB 24

Recommended Fasteners	KV Part	Finish	Qty
#6 x 13/32" Phillips Pan head	1300-83	Zinc (ZC)	1000

## Hinge Kit Options



Hinge Kit (K)	2 hinges per kit; 10 kits per carton
Hinge Pack (P)	40 hinges per carton

Nickel Hinges (For Use with 8092)			
Kit (K)	Hinge Pack (P)	Hinge Cup Size	Door Thickness
8080 HKEZS	8080 HPEZS	35 mm	3/4 inch inset
8080 HKEZL	8080 HPEZL	40 mm	3/4 inch overlay
8080 HKEZF	8080 HPEZF	35 mm	3/4 inch free swinging inset
8085 HKEZT	8085 HPEZT	40 mm	1 inch thick inset
8086 HKEZX	8086 HPEZX	40 mm	1-1/4 inch extra thick inset
Ebony Black (EB) Hinges (For Use with 8092)			
8080 HKEZS EB	8080 HPEZS EB	35 mm	3/4 inch inset
8080 HKEZL EB	8080 HPEZL EB	40 mm	3/4 inch overlay
8085 HKEZT EB	8085 HPEZT EB	40 mm	1 inch thick inset
8086 HKEZX EB	8086 HPEZX EB	40 mm	1-1/4 inch extra thick inset
Salice Hinges (For Use with 8091) Nickel Finish			
8080 HKS SAL	–	35 mm	3/4 inch inset
8080 HKF SAL	–	35 mm	3/4 inch overlay
8080 HKL SAL	–	40 mm	3/4 inch free swinging inset
8086 HKX SAL	–	40 mm	1 inch thick inset
Salice Hinges (For Use with 8091) Ebony Black (EB) Finish			
8080 HKS SAL EB	–	35 mm	3/4 inch inset
8080 HKL SAL EB	–	40 mm	3/4 inch overlay
8086 HKX SAL EB	–	40 mm	1-1/4 inch extra thick inset

For additional information on our salice hinge offerings please see page 61.

## 8090B Pinion Shafts for 4x4 Pocket Door Slides

SB Pack (SB) - 1 pair of shafts	Bulk Pack (B) - 10 each
---------------------------------	-------------------------

8090B Pinion Shaft Ebony Black (EB) Finish			
Size	Bulk (B)	Quantity	Door Thickness
36 inch	8090B EB 36	10	3/4 inch inset
48 inch	8090B EB 48	10	3/4 inch overlay
72 inch	8090B EB 72	10	3/4 inch free swinging inset
8092SB Pinion Shaft Ebony Black (EB) Finish			
36 inch	8092SB EB 36	2	3/4 inch inset
48 inch	8092SB EB 48	2	3/4 inch overlay
72 inch	8092SB EB 72	2	3/4 inch free swinging inset