

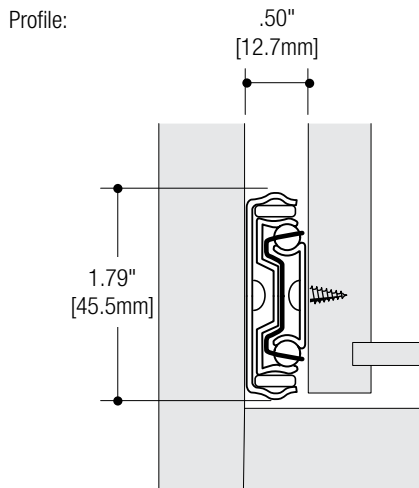
# 8400 Full Extension Box or File Drawer Slide



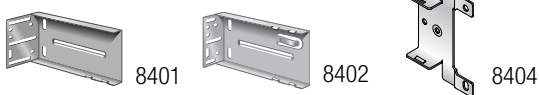
## Features

- 32 mm hole pattern with direct access mounting
- Lever disconnect for easy drawer removal
- Non-handed design
- Recommended maximum drawer width 24 inches

Mounting: Side-mount  
 Action: Telescopic movement on ball bearings  
 Load rating: 100-pound class  
 Height: 1-13/16 inches  
 Clearance: 1/2" + 1/32" – 0" on each side  
 Finish: Anochrome (ANO), Ebony Black (EB), White (WH)



## Mounting Brackets



Product	Front or Rear	Finish	Pack
8401	Rear	Zinc (ZC)	20 brackets/carton
8402	Rear	Zinc (ZC)	20 brackets/carton
8402BBL	Rear	Zinc (ZC)	400 brackets/carton
8402WP	Rear	Zinc (ZC)	20 brackets/warehouse pack
8404	Front	Zinc (ZC)	20 brackets/carton
8404B	Front	Zinc (ZC)	400 brackets/carton
8404 WH	Front	White (WH)	20 brackets/carton
8404 EB	Front	Ebony Black (EB)	20 brackets/carton
8404BBL	Front	Zinc (ZC)	400 brackets/carton
8404B KIT	Both	Zinc (ZC)	2 [8403] + 2 [8404] + screws

## Configurations

Bulk (B)	10 per carton - no screws
Poly (P)	1 set per bag; 10 sets per carton - with screws
Quantity (Q)	50 sets; multiple cartons - no screws
Warehouse (WP)	1 set per bag; 10 sets per warehouse pack - with screws

8400 Anochrome (ANO) Finish				
Size	Bulk (B)	Poly (P)	Quantity (Q)	Warehouse (WP)
8 inch	8400B 8	8400P 8	8400Q 8	–
10 inch	8400B 10	8400P 10	8400Q 10	–
12 inch	8400B 12	8400P 12	8400Q 12	–
14 inch	8400B 14	8400P 14	8400Q 14	–
16 inch	8400B 16	8400P 16	8400Q 16	8400WP 16
18 inch	8400B 18	8400P 18	8400Q 18	8400WP 18
20 inch	8400B 20	8400P 20	8400Q 20	8400WP 20
22 inch	8400B 22	8400P 22	8400Q 22	8400WP 22
24 inch	8400B 24	8400P 24	8400Q 24	8400WP 24
26 inch	8400B 26	8400P 26	8400Q 26	–
28 inch	8400B 28	8400P 28	8400Q 28	–
8400 Ebony Black (EB) Finish				
8 inch	8400B EB 8	8400P EB 8	8400Q EB 8	–
10 inch	8400B EB 10	8400P EB 10	8400Q EB 10	–
12 inch	8400B EB 12	8400P EB 12	8400Q EB 12	–
14 inch	8400B EB 14	8400P EB 14	8400Q EB 14	–
16 inch	8400B EB 16	8400P EB 16	8400Q EB 16	–
18 inch	8400B EB 18	8400P EB 18	8400Q EB 18	–
20 inch	8400B EB 20	8400P EB 20	8400Q EB 20	–
22 inch	8400B EB 22	8400P EB 22	8400Q EB 22	–
24 inch	8400B EB 24	8400P EB 24	8400Q EB 24	–
26 inch	8400B EB 26	8400P EB 26	8400Q EB 26	–
28 inch	8400B EB 28	8400P EB 28	8400Q EB 28	–
8400 White (WH) Finish				
8 inch	8400B WH 8	8400P WH 8	–	–
10 inch	8400B WH 10	8400P WH 10	–	–
12 inch	8400B WH 12	8400P WH 12	–	–
14 inch	8400B WH 14	8400P WH 14	–	–
16 inch	8400B WH 16	8400P WH 16	–	–
18 inch	8400B WH 18	8400P WH 18	–	–
20 inch	8400B WH 20	8400P WH 20	–	–
22 inch	8400B WH 22	8400P WH 22	–	–
24 inch	8400B WH 24	8400P WH 24	–	–
26 inch	8400B WH 26	8400P WH 26	–	–
28 inch	8400B WH 28	8400P WH 28	–	–

Recommended Fasteners		KV Part	Finish	Qty
	#7 x 1/2" Phillips Pan head	8500-93	Zinc (ZC)	1000
		8500-93 EB	Ebony Black (EB)	1000
		8500-93 WH	White (WH)	50

☐ Non-stock item – minimum order quantities and additional lead time may apply.