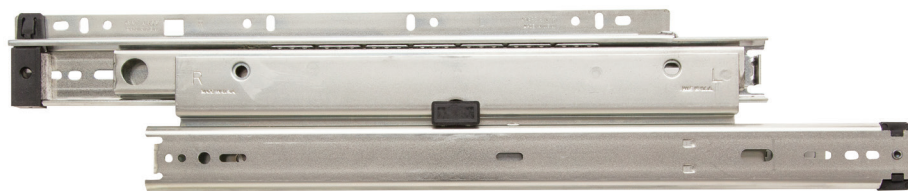


8500, 8505 Heavy-Duty File or Lateral Drawer Slides



Features

- 32mm hole pattern
- Non-handed quick disconnect drawer members
- Hold-in feature to prevent bounce back
- Recommended maximum drawer width
8500: 36"
8505: 30"

8500: Full extension drawer slide

8505: 1.25" over travel drawer slide

Mounting: Side

Action: Progressive movement on ball-bearings

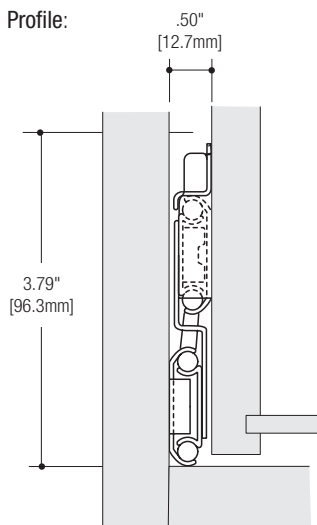
Load Rating: 150 lb. class

Height: 3.79" [96.3mm] (includes quick disconnect rail)

Clearance: .50" + .03" - 0" on each side

Finish: Anochrome (ANO), Ebony Black (EB)

Profile:



Configurations



Bulk (B)	5 pairs per carton without screws
Poly (P)	1 pair per bag with screws; 5 pairs per carton
Quantity (Q)	10 pairs without screws; multiple cartons

8500 Anochrome (ANO) Finish			
Size	Bulk (B)	Poly (P)	Quantity (Q)
12"	8500B 12	8500P 12	8500Q 12
14"	8500B 14	8500P 14	8500Q 14
16"	8500B 16	8500P 16	8500Q 16
18"	8500B 18	8500P 18	8500Q 18
20"	8500B 20	8500P 20	8500Q 20
22"	8500B 22	8500P 22	8500Q 22
24"	8500B 24	8500P 24	8500Q 24
26"	8500B 26	8500P 26	8500Q 26
28"	8500B 28	8500P 28	8500Q 28
30"	8500B 30	8500P 30	8500Q 30

8505 Anochrome (ANO) Finish			
12"	8505B 12	8505P 12	8505Q 12
14"	8505B 14	8505P 14	8505Q 14
16"	8505B 16	8505P 16	8505Q 16
18"	8505B 18	8505P 18	8505Q 18
20"	8505B 20	8505P 20	8505Q 20
22"	8505B 22	8505P 22	8505Q 22
24"	8505B 24	8505P 24	8505Q 24
26"	8505B 26	8505P 26	8505Q 26
28"	8505B 28	8505P 28	8505Q 28
30"	8505B 30	8505P 30	8505Q 30

8505 Ebony Black (EB) Finish			
12"	8505B EB 12	–	8505Q EB 12
14"	8505B EB 14	–	8505Q EB 14
16"	8505B EB 16	8505P EB 16	8505Q EB 16
18"	8505B EB 18	8505P EB 18	8505Q EB 18
20"	8505B EB 20	8505P EB 20	8505Q EB 20
22"	8505B EB 22	8505P EB 22	8505Q EB 22
24"	8505B EB 24	8505P EB 24	8505Q EB 24
26"	8505B EB 26	–	8505Q EB 26
28"	8505B EB 28	–	8505Q EB 28
30"	8505B EB 30	–	8505Q EB 30

Recommended Fasteners	KV Part	Finish	Qty
#7 x 1/2" Phillips Pan Head Screws	8500-93	Zinc (ZC)	1000
	8500-93 EB	Ebony Black (EB)	1000

☐ Non-stock item – minimum order quantities and additional lead time may apply.