

Waste & Recycle

Heavy-Duty, Soft-Close, Undermount
USC Series



USC15-2-35PT
(with custom rail accents)

Heavy-Duty, Soft-Close, Undermount Waste & Recycling Bins

Product Features

- **New Heavy-duty**, undermount slide with soft-close technology
Static = 125 lb.
Dynamic = 100 lb.
- Installs in minutes using self-aligning brackets secured with only 6 screws
- Color coordinated aluminum side rails conceal slide hardware
- Solid backsplash and floor is easy to clean and conceals hardware
- Customizable decorative rail accents
- Optional lids available for all 20 or 35 quart products



USC12-1-35WH
(with optional QT35LB-W lid)



Door Mount Bracket

- Can be reversed to allow for openings up to 3" wider
- Simple, concealed two screw door-leveling
- Slotted screw holes allow for easy door-centering
- Accommodates overlay or inset doors

Waste & Recycle

Heavy-Duty, Soft-Close, Undermount
USC Series

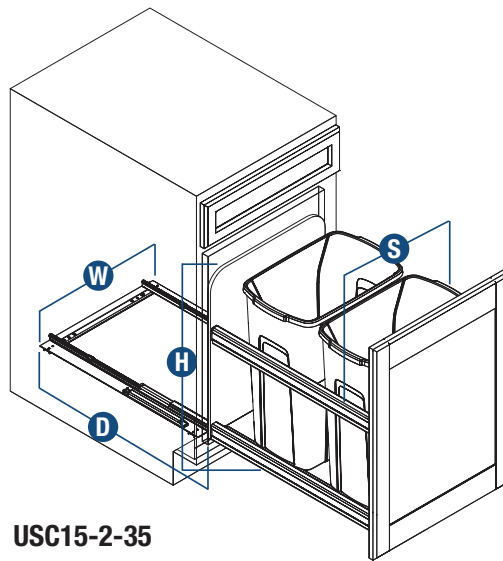
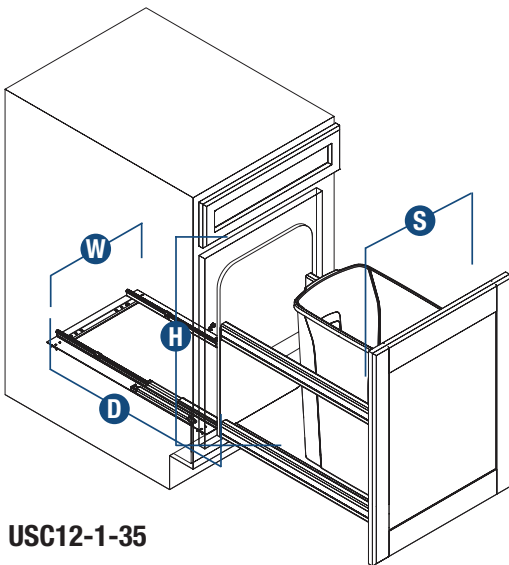


Heavy-Duty, Soft-Close, Undermount Waste & Recycling Bins

Stock #	Sliding Assembly Width S	Assembled Product Dimensions			Finish	Capacity per Bin	Number of Bins	Units per Carton	Weight per Carton
		W Width	H Height*	D Depth					
SINGLE BIN UNITS									
USC12-1-35WH	11-13/16" [300 mm]	11-13/16" [300 mm]	19-3/16" [487 mm]	22-7/16" [570 mm]	White	35 Qt.	1	1	19.7 lbs. [8.9 kg.]
USC12-1-35PT	11-13/16" [300 mm]	11-13/16" [300 mm]	19-3/16" [487 mm]	22-7/16" [570 mm]	Platinum	35 Qt.	1	1	19.7 lbs. [8.9 kg.]
USC12-1-50WH	11-13/16" [300 mm]	11-13/16" [300 mm]	23-1/4" [591 mm]	22-7/16" [570 mm]	White	50 Qt.	1	1	22.1 lbs. [10 kg.]
USC12-1-50PT	11-13/16" [300 mm]	11-13/16" [300 mm]	23-1/4" [591 mm]	22-7/16" [570 mm]	Platinum	50 Qt.	1	1	22.1 lbs. [10 kg.]
DOUBLE BIN UNITS									
USC12-2-27WH	11-13/16" [300 mm]	11-13/16" [300 mm]	19-1/2" [496 mm]	22-7/16" [570 mm]	White	27 Qt.	2	1	20.9 lbs. [9.5kg.]
USC12-2-27PT	11-13/16" [300 mm]	11-13/16" [300 mm]	19-1/2" [496 mm]	22-7/16" [570 mm]	Platinum	27 Qt.	2	1	20.9 lbs. [9.5kg.]
USC15-2-35WH	14-13/16" [376 mm]	14-13/16" [376 mm]	19-3/16" [487 mm]	22-7/16" [570 mm]	White	35 Qt.	2	1	23.5 lbs. [10.7 kg.]
USC15-2-35PT	14-13/16" [376 mm]	14-13/16" [376 mm]	19-3/16" [487 mm]	22-7/16" [570 mm]	Platinum	35 Qt.	2	1	23.5 lbs. [10.7 kg.]
USC18-2-50WH	14-13/16" [376 mm]	15-3/8" [391mm]	23-1/4" [592mm]	22-7/16" [570 mm]	White	50 Qt.	2	1	24 lbs. [10.9kg]
USC18-2-50PT	14-13/16" [376 mm]	15-3/8" [391mm]	23-1/4" [592mm]	22-7/16" [570 mm]	Platinum	50 Qt.	2	1	24 lbs. [10.9kg]

* If using lid, add 3/4".

Not intended for bulk storage.



KNAPE & VOGT

2700 Oak Industrial Dr. NE
Grand Rapids, MI 49505-6026 USA
1.800.253.1561 | 616.459.3311
Fax: 877.636.3290
www.kv.com