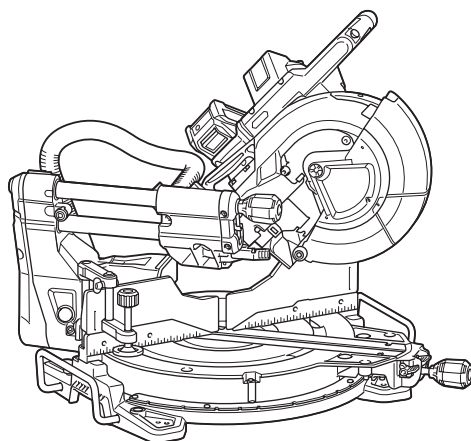


**INSTRUCTION MANUAL
MANUAL DE INSTRUCCIONES**



Cordless Slide Compound Miter Saw Sierra de Inglete Inalámbrica GSL03



IMPORTANT: Read Before Using.
IMPORTANTE: Lea antes de usar.

SPECIFICATIONS

Model:	GSL03
Blade diameter	255 mm (10")
Hole diameter	15.88 mm (5/8")
Max. kerf thickness of the saw blade	3.2 mm (1/8")
Max. miter angle	Right 60°, Left 60°
Max. bevel angle	Right 48°, Left 48°
No load speed (RPM)	3,600 /min
Dimensions (L x W x H)	805 mm x 644 mm x 660 mm (31-3/4" x 25-3/8" x 26")
Rated voltage	D.C. 36 V - 40 V max
Net weight	26.6 - 27.2 kg (58.6 - 60.0 lbs)

Cutting capacities (H x W)

Miter angle	Bevel angle		
	45° (left)	0°	45° (right)
0°	47 mm x 305 mm (1-7/8" x 12") 61 mm x 279 mm (2-3/8" x 11")	71 mm x 305 mm (2-13/16" x 12") 91 mm x 279 mm (3-5/8" x 11")	29 mm x 305 mm (1-1/8" x 12") 43 mm x 279 mm (1-11/16" x 11")
45° (right and left)	47 mm x 215 mm (1-7/8" x 8-1/2") 61 mm x 197 mm (2-3/8" x 7-3/4")	71 mm x 215 mm (2-13/16" x 8-1/2") 91 mm x 197 mm (3-5/8" x 7-3/4")	29 mm x 215 mm (1-1/8" x 8-1/2") 43 mm x 197 mm (1-11/16" x 7-3/4")
60° (right and left)	-	71 mm x 152 mm (2-13/16" x 6") 91 mm x 139 mm (3-5/8" x 5-1/2")	-

Cutting capacities for special cuttings

Type of cutting	Cutting capacity
Crown molding 45° type (with crown molding stopper used)	168 mm (6-5/8")
Base board (with horizontal vise used)	133 mm (5-1/4")

- Due to our continuing program of research and development, the specifications herein are subject to change without notice.
- Specifications may differ from country to country.
- The weight may differ depending on the attachment(s), including the battery cartridge. The lightest and heaviest combination, according to EPTA-Procedure 01/2014, are shown in the table.

Applicable battery cartridge and charger

Battery cartridge	BL4025 / BL4040* *: Recommended battery
Charger	DC40RA

- Some of the battery cartridges and chargers listed above may not be available depending on your region of residence.

⚠ WARNING: Only use the battery cartridges and chargers listed above. Use of any other battery cartridges and chargers may cause injury and/or fire.

SAFETY WARNINGS

**For your own safety, read instruction manual before operating tool.
Save it for future reference.**

General power tool safety warnings

⚠ WARNING: Read all safety warnings, instructions, illustrations and specifications provided with this power tool. Failure to follow all instructions listed below may result in electric shock, fire and/or serious injury.

Save all warnings and instructions for future reference.

The term "power tool" in the warnings refers to your mains-operated (corded) power tool or battery-operated (cordless) power tool.

Work area safety

1. **Keep work area clean and well lit.** Cluttered or dark areas invite accidents.
2. **Do not operate power tools in explosive atmospheres, such as in the presence of flammable liquids, gases or dust.** Power tools create sparks which may ignite the dust or fumes.
3. **Keep children and bystanders away while operating a power tool.** Distractions can cause you to lose control.

Electrical Safety

1. **Power tool plugs must match the outlet. Never modify the plug in any way. Do not use any adapter plugs with earthed (grounded) power tools.** Unmodified plugs and matching outlets will reduce risk of electric shock.
2. **Avoid body contact with earthed or grounded surfaces, such as pipes, radiators, ranges and refrigerators.** There is an increased risk of electric shock if your body is earthed or grounded.
3. **Do not expose power tools to rain or wet conditions.** Water entering a power tool will increase the risk of electric shock.
4. **Do not abuse the cord. Never use the cord for carrying, pulling or unplugging the power tool. Keep cord away from heat, oil, sharp edges or moving parts.** Damaged or entangled cords increase the risk of electric shock.
5. **When operating a power tool outdoors, use an extension cord suitable for outdoor use.** Use of a cord suitable for outdoor use reduces the risk of electric shock.
6. **If operating a power tool in a damp location is unavoidable, use a ground fault circuit interrupter (GFCI) protected supply.** Use of a GFCI reduces the risk of electric shock.
7. **Power tools can produce electromagnetic fields (EMF) that are not harmful to the user.** However, users of pacemakers and other similar medical devices should contact the maker of their device and/or doctor for advice before operating this power tool.

Personal Safety

1. **Stay alert, watch what you are doing and use common sense when operating a power tool. Do not use a power tool while you are tired or under the influence of drugs, alcohol or medication.** A moment of inattention while operating power tools may result in serious personal injury.
2. **Use personal protective equipment. Always wear eye protection.** Protective equipment such as dust mask, non-skid safety shoes, hard hat, or hearing protection used for appropriate conditions will reduce personal injuries.
3. **Prevent unintentional starting. Ensure the switch is in the off-position before connecting to power source and/or battery pack, picking up or carrying the tool.** Carrying power tools with your finger on the switch or energising power tools that have the switch on invites accidents.
4. **Remove any adjusting key or wrench before turning the power tool on.** A wrench or a key left attached to a rotating part of the power tool may result in personal injury.
5. **Do not overreach. Keep proper footing and balance at all times.** This enables better control of the power tool in unexpected situations.
6. **Dress properly. Do not wear loose clothing or jewellery. Keep your hair, clothing and gloves away from moving parts.** Loose clothes, jewellery or long hair can be caught in moving parts.
7. **If devices are provided for the connection of dust extraction and collection facilities, ensure these are connected and properly used.** Use of dust collection can reduce dust-related hazards.
8. **Do not let familiarity gained from frequent use of tools allow you to become complacent and ignore tool safety principles.** A careless action can cause severe injury within a fraction of a second.
9. **Always wear protective goggles to protect your eyes from injury when using power tools. The goggles must comply with ANSI Z87.1 in the USA.**
It is an employer's responsibility to enforce the use of appropriate safety protective equipment by the tool operators and by other persons in the immediate working area.

Power tool use and care

1. **Do not force the power tool. Use the correct power tool for your application.** The correct power tool will do the job better and safer at the rate for which it was designed.
2. **Do not use the power tool if the switch does not turn it on and off.** Any power tool that cannot be controlled with the switch is dangerous and must be repaired.
3. **Disconnect the plug from the power source and/or remove the battery pack, if detachable, from the power tool before making any adjustments, changing accessories, or storing power tools.** Such preventive safety measures reduce the risk of starting the power tool accidentally.
4. **Store idle power tools out of the reach of children and do not allow persons unfamiliar with the power tool or these instructions to operate the power tool.** Power tools are dangerous in the hands of untrained users.

5. **Maintain power tools and accessories. Check for misalignment or binding of moving parts, breakage of parts and any other condition that may affect the power tool's operation. If damaged, have the power tool repaired before use.** Many accidents are caused by poorly maintained power tools.
6. **Keep cutting tools sharp and clean.** Properly maintained cutting tools with sharp cutting edges are less likely to bind and are easier to control.
7. **Use the power tool, accessories and tool bits etc. in accordance with these instructions, taking into account the working conditions and the work to be performed.** Use of the power tool for operations different from those intended could result in a hazardous situation.
8. **Keep handles and grasping surfaces dry, clean and free from oil and grease.** Slippery handles and grasping surfaces do not allow for safe handling and control of the tool in unexpected situations.
9. **When using the tool, do not wear cloth work gloves which may be entangled.** The entanglement of cloth work gloves in the moving parts may result in personal injury.

Battery tool use and care

1. **Recharge only with the charger specified by the manufacturer.** A charger that is suitable for one type of battery pack may create a risk of fire when used with another battery pack.
2. **Use power tools only with specifically designated battery packs.** Use of any other battery packs may create a risk of injury and fire.
3. **When battery pack is not in use, keep it away from other metal objects, like paper clips, coins, keys, nails, screws or other small metal objects, that can make a connection from one terminal to another.** Shorting the battery terminals together may cause burns or a fire.
4. **Under abusive conditions, liquid may be ejected from the battery; avoid contact. If contact accidentally occurs, flush with water. If liquid contacts eyes, additionally seek medical help.** Liquid ejected from the battery may cause irritation or burns.
5. **Do not use a battery pack or tool that is damaged or modified.** Damaged or modified batteries may exhibit unpredictable behaviour resulting in fire, explosion or risk of injury.
6. **Do not expose a battery pack or tool to fire or excessive temperature.** Exposure to fire or temperature above 130 °C may cause explosion.
7. **Follow all charging instructions and do not charge the battery pack or tool outside the temperature range specified in the instructions.** Charging improperly or at temperatures outside the specified range may damage the battery and increase the risk of fire.

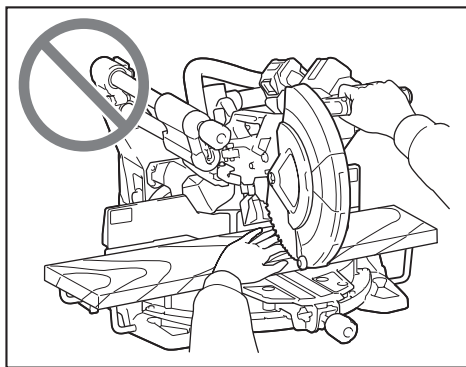
Service

1. **Have your power tool serviced by a qualified repair person using only identical replacement parts.** This will ensure that the safety of the power tool is maintained.

2. **Never service damaged battery packs.** Service of battery packs should only be performed by the manufacturer or authorized service providers.
3. **Follow instruction for lubricating and changing accessories.**
4. **Do not modify or attempt to repair the appliance or the battery pack except as indicated in the instructions for use and care.**

Safety instructions for mitre saws

1. **Mitre saws are intended to cut wood or wood-like products, they cannot be used with abrasive cut-off wheels for cutting ferrous material such as bars, rods, studs, etc.** Abrasive dust causes moving parts such as the lower guard to jam. Sparks from abrasive cutting will burn the lower guard, the kerf insert and other plastic parts.
2. **Use clamps to support the workpiece whenever possible. If supporting the workpiece by hand, you must always keep your hand at least 100 mm from either side of the saw blade. Do not use this saw to cut pieces that are too small to be securely clamped or held by hand.** If your hand is placed too close to the saw blade, there is an increased risk of injury from blade contact.
3. **The workpiece must be stationary and clamped or held against both the fence and the table. Do not feed the workpiece into the blade or cut "freehand" in any way.** Unrestrained or moving workpieces could be thrown at high speeds, causing injury.
4. **Push the saw through the workpiece. Do not pull the saw through the workpiece. To make a cut, raise the saw head and pull it out over the workpiece without cutting, start the motor, press the saw head down and push the saw through the workpiece.** Cutting on the pull stroke is likely to cause the saw blade to climb on top of the workpiece and violently throw the blade assembly towards the operator.
5. **Never cross your hand over the intended line of cutting either in front or behind the saw blade.** Supporting the workpiece "cross handed" i.e. holding the workpiece to the right of the saw blade with your left hand or vice versa is very dangerous.



6. **Do not reach behind the fence with either hand closer than 100 mm from either side of the saw blade, to remove wood scraps, or for any other reason while the blade is spinning.** The proximity of the spinning saw blade to your hand may not be obvious and you may be seriously injured.
7. **Inspect your workpiece before cutting. If the workpiece is bowed or warped, clamp it with the outside bowed face toward the fence. Always make certain that there is no gap between the workpiece, fence and table along the line of the cut.** Bent or warped workpieces can twist or shift and may cause binding on the spinning saw blade while cutting. There should be no nails or foreign objects in the workpiece.
8. **Do not use the saw until the table is clear of all tools, wood scraps, etc., except for the workpiece.** Small debris or loose pieces of wood or other objects that contact the revolving blade can be thrown with high speed.
9. **Cut only one workpiece at a time.** Stacked multiple workpieces cannot be adequately clamped or braced and may bind on the blade or shift during cutting.
10. **Ensure the mitre saw is mounted or placed on a level, firm work surface before use.** A level and firm work surface reduces the risk of the mitre saw becoming unstable.
11. **Plan your work. Every time you change the bevel or mitre angle setting, make sure the adjustable fence is set correctly to support the workpiece and will not interfere with the blade or the guarding system.** Without turning the tool "ON" and with no workpiece on the table, move the saw blade through a complete simulated cut to assure there will be no interference or danger of cutting the fence.
12. **Provide adequate support such as table extensions, saw horses, etc. for a workpiece that is wider or longer than the table top.** Workpieces longer or wider than the mitre saw table can tip if not securely supported. If the cut-off piece or workpiece tips, it can lift the lower guard or be thrown by the spinning blade.
13. **Do not use another person as a substitute for a table extension or as additional support.** Unstable support for the workpiece can cause the blade to bind or the workpiece to shift during the cutting operation pulling you and the helper into the spinning blade.
14. **The cut-off piece must not be jammed or pressed by any means against the spinning saw blade.** If confined, i.e. using length stops, the cut-off piece could get wedged against the blade and thrown violently.
15. **Always use a clamp or a fixture designed to properly support round material such as rods or tubing.** Rods have a tendency to roll while being cut, causing the blade to "bite" and pull the work with your hand into the blade.
16. **Let the blade reach full speed before contacting the workpiece.** This will reduce the risk of the workpiece being thrown.
17. **If the workpiece or blade becomes jammed, turn the mitre saw off. Wait for all moving parts to stop and disconnect the plug from the power source and/or remove the battery pack. Then work to free the jammed material.** Continued sawing with a jammed workpiece could cause loss of control or damage to the mitre saw.
18. **After finishing the cut, release the switch, hold the saw head down and wait for the blade to stop before removing the cut-off piece.** Reaching with your hand near the coasting blade is dangerous.
19. **Hold the handle firmly when making an incomplete cut or when releasing the switch before the saw head is completely in the down position.** The braking action of the saw may cause the saw head to be suddenly pulled downward, causing a risk of injury.
20. **Only use the saw blade with the diameter that is marked on the tool or specified in the manual.** Use of an incorrectly sized blade may affect the proper guarding of the blade or guard operation which could result in serious personal injury.
21. **Only use the saw blades that are marked with a speed equal or higher than the speed marked on the tool.**
22. **Always select the correct saw blade for the material to be cut. Do not use the saw blade to cut materials other than those specified.**
23. **The saw can cut wood, aluminum or similar materials, when using a saw blade appropriate for the material. Do not use the saw to cut the other material, including magnesium, steel and iron.**

Additional instructions

1. **Intended use**
The tool is intended for accurate straight and miter cutting in wood. With appropriate saw blades, aluminum can also be sawed.
2. **Make workshop kid proof with padlocks.**
3. **Never stand on the tool.** Serious injury could occur if the tool is tipped or if the cutting tool is unintentionally contacted.
4. **Never leave the tool running unattended. Turn the power off. Do not leave tool until it comes to a complete stop.**
5. **Do not operate saw without guards in place. Check blade guard for proper closing before each use. Do not operate saw if blade guard does not move freely and close instantly. Never clamp or tie the blade guard into the open position.**
6. **Keep hands out of path of saw blade. Avoid contact with any coasting blade. It can still cause severe injury.**
7. **To reduce the risk of injury, return carriage to the full rear position after each crosscut operation.**
8. **Always secure all moving portions before carrying the tool.**
9. **Stopper pin which locks the cutter head down is for carrying and storage purposes only and not for any cutting operations.**

10. Check the blade carefully for cracks or damage before operation. Replace cracked or damaged blade immediately. Gum and wood pitch hardened on blades slows saw and increases potential for kickback. Keep blade clean by first removing it from tool, then cleaning it with gum and pitch remover, hot water or kerosene. Never use gasoline to clean blade.
11. While making a slide cut, KICKBACK can occur. KICKBACK occurs when the blade binds in the workpiece during a cutting operation and the saw blade is driven rapidly towards the operator. Loss of control and serious personal injury can result. If blade begins to bind during a cutting operation, do not continue to cut and release switch immediately.
12. Use only flanges specified for this tool.
13. Be careful not to damage the arbor, flanges (especially the installing surface) or bolt. Damage to these parts could result in blade breakage.
14. Make sure that the turn base is properly secured so it will not move during operation. Use the holes in the base to fasten the saw to a stable work platform or bench. NEVER use tool where operator positioning would be awkward.
15. Make sure the shaft lock is released before the switch is turned on.
16. Be sure that the blade does not contact the turn base in the lowest position.
17. Hold the handle firmly. Be aware that the saw moves up or down slightly during start-up and stopping.
18. Make sure the blade is not contacting the workpiece before the switch is turned on.
19. Before using the tool on an actual workpiece, let it run for a while. Watch for vibration or wobbling that could indicate poor installation or a poorly balanced blade.
20. Stop operation immediately if you notice anything abnormal.
21. Do not attempt to lock the trigger in the "ON" position.
22. Always use accessories recommended in this manual. Use of improper accessories such as abrasive wheels may cause an injury.
23. Some material contains chemicals which may be toxic. Take caution to prevent dust inhalation and skin contact. Follow material supplier safety data.
24. Do not use a corded power supply with this tool.

Additional safety rules for operating lamp



1. Do not look in the light or see the source of light directly.

SAVE THESE INSTRUCTIONS.

⚠WARNING: DO NOT let comfort or familiarity with product (gained from repeated use) replace strict adherence to safety rules for the subject product. MISUSE or failure to follow the safety rules stated in this instruction manual may cause serious personal injury.

Symbols

The followings show the symbols used for tool.

v	volts
— ---	direct current
n ₀	no load speed
.../min r/min	revolutions or reciprocation per minute
∅	diameter
	Do not place hand or fingers close to the blade.
	Do not stare at operating lamp.

Important safety instructions for battery cartridge

1. Before using battery cartridge, read all instructions and cautionary markings on (1) battery charger, (2) battery, and (3) product using battery.
2. Do not disassemble or tamper the battery cartridge. It may result in a fire, excessive heat, or explosion.
3. If operating time has become excessively shorter, stop operating immediately. It may result in a risk of overheating, possible burns and even an explosion.
4. If electrolyte gets into your eyes, rinse them out with clear water and seek medical attention right away. It may result in loss of your eyesight.
5. Do not short the battery cartridge:
 - (1) Do not touch the terminals with any conductive material.
 - (2) Avoid storing battery cartridge in a container with other metal objects such as nails, coins, etc.
 - (3) Do not expose battery cartridge to water or rain.

A battery short can cause a large current flow, overheating, possible burns and even a breakdown.
6. Do not store and use the tool and battery cartridge in locations where the temperature may reach or exceed 50 °C (122 °F).
7. Do not incinerate the battery cartridge even if it is severely damaged or is completely worn out. The battery cartridge can explode in a fire.
8. Do not nail, cut, crush, throw, drop the battery cartridge, or hit against a hard object to the battery cartridge. Such conduct may result in a fire, excessive heat, or explosion.
9. Do not use a damaged battery.

10. **The contained lithium-ion batteries are subject to the Dangerous Goods Legislation requirements.**

For commercial transports e.g. by third parties, forwarding agents, special requirement on packaging and labeling must be observed. For preparation of the item being shipped, consulting an expert for hazardous material is required. Please also observe possibly more detailed national regulations. Tape or mask off open contacts and pack up the battery in such a manner that it cannot move around in the packaging.

11. **When disposing the battery cartridge, remove it from the tool and dispose of it in a safe place. Follow your local regulations relating to disposal of battery.**
12. **Use the batteries only with the products specified by Makita.** Installing the batteries to non-compliant products may result in a fire, excessive heat, explosion, or leak of electrolyte.
13. **If the tool is not used for a long period of time, the battery must be removed from the tool.**
14. **During and after use, the battery cartridge may take on heat which can cause burns or low temperature burns. Pay attention to the handling of hot battery cartridges.**
15. **Do not touch the terminal of the tool immediately after use as it may get hot enough to cause burns.**
16. **Do not allow chips, dust, or soil stuck into the terminals, holes, and grooves of the battery cartridge.** It may result in poor performance or breakdown of the tool or battery cartridge.
17. **Unless the tool supports the use near high-voltage electrical power lines, do not use the battery cartridge near a high-voltage electrical power lines.** It may result in a malfunction or breakdown of the tool or battery cartridge.
18. **Keep the battery away from children.**

SAVE THESE INSTRUCTIONS.

⚠ CAUTION: Only use genuine Makita batteries. Use of non-genuine Makita batteries, or batteries that have been altered, may result in the battery bursting causing fires, personal injury and damage. It will also void the Makita warranty for the Makita tool and charger.

Tips for maintaining maximum battery life

1. **Charge the battery cartridge before completely discharged. Always stop tool operation and charge the battery cartridge when you notice less tool power.**
2. **Never recharge a fully charged battery cartridge. Overcharging shortens the battery service life.**
3. **Charge the battery cartridge with room temperature at 10 °C - 40 °C (50 °F - 104 °F). Let a hot battery cartridge cool down before charging it.**
4. **When not using the battery cartridge, remove it from the tool or the charger.**
5. **Charge the battery cartridge if you do not use it for a long period (more than six months).**

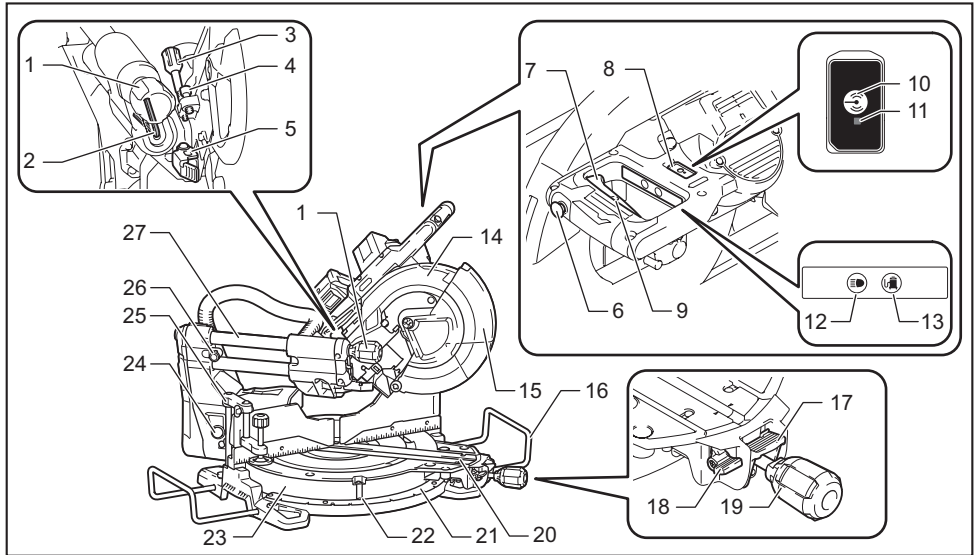
Important safety instructions for wireless unit

1. **Do not disassemble or tamper with the wireless unit.**
2. **Keep the wireless unit away from young children. If accidentally swallowed, seek medical attention immediately.**
3. **Use the wireless unit only with Makita tools.**
4. **Do not expose the wireless unit to rain or wet conditions.**
5. **Do not use the wireless unit in places where the temperature exceeds 50 °C (122 °F).**
6. **Do not operate the wireless unit in places where medical instruments, such as heart pace makers are nearby.**
7. **Do not operate the wireless unit in places where automated devices are nearby.** If operated, automated devices may develop malfunction or error.
8. **Do not operate the wireless unit in places under high temperature or places where static electricity or electrical noise could be generated.**
9. **The wireless unit can produce electromagnetic fields (EMF) but they are not harmful to the user.**
10. **The wireless unit is an accurate instrument. Be careful not to drop or strike the wireless unit.**
11. **Avoid touching the terminal of the wireless unit with bare hands or metallic materials.**
12. **Always remove the battery on the product when installing the wireless unit into it.**
13. **When opening the lid of the slot, avoid the place where dust and water may come into the slot. Always keep the inlet of the slot clean.**
14. **Always insert the wireless unit in the correct direction.**
15. **Do not press the wireless activation button on the wireless unit too hard and/or press the button with an object with a sharp edge.**
16. **Always close the lid of the slot when operating.**
17. **Do not remove the wireless unit from the slot while the power is being supplied to the tool.** Doing so may cause a malfunction of the wireless unit.
18. **Do not remove the sticker on the wireless unit.**
19. **Do not put any sticker on the wireless unit.**
20. **Do not leave the wireless unit in a place where static electricity or electrical noise could be generated.**
21. **Do not leave the wireless unit in a place subject to high heat, such as a car sitting in the sun.**
22. **Do not leave the wireless unit in a dusty or powdery place or in a place corrosive gas could be generated.**
23. **Sudden change of the temperature may bedew the wireless unit. Do not use the wireless unit until the dew is completely dried.**

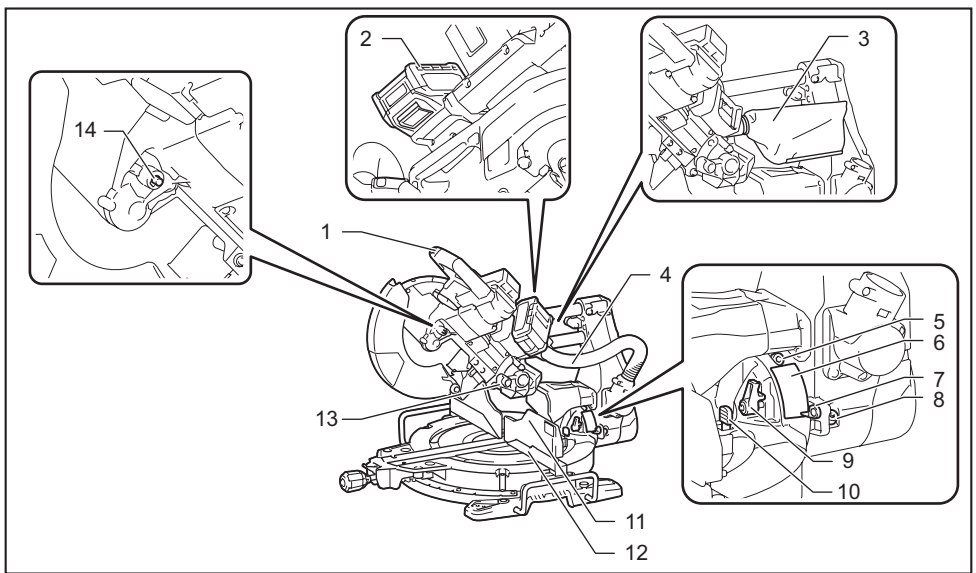
24. **When cleaning the wireless unit, gently wipe with a dry soft cloth. Do not use benzine, thinner, conductive grease or the like.**
25. **When storing the wireless unit, keep it in the supplied case or a static-free container.**
26. **Do not insert any devices other than Makita wireless unit into the slot on the tool.**
27. **Do not use the tool with the lid of the slot damaged.** Water, dust, and dirt come into the slot may cause malfunction.
28. **Do not pull and/or twist the lid of the slot more than necessary.** Restore the lid if it comes off from the tool.
29. **Replace the lid of the slot if it is lost or damaged.**

SAVE THESE INSTRUCTIONS.

PARTS DESCRIPTION



1	Knob (for bevel angle)	2	Hex wrench	3	Adjusting screw (for lower limit position)	4	Adjusting bolt (for maximum cutting capacity)
5	Stopper arm	6	Lock-off button	7	Switch trigger	8	Lid (for wireless unit)
9	Hole for padlock	10	Wireless activation button	11	Wireless activation lamp	12	Lamp button
13	Vacuum button	14	Blade case	15	Blade guard	16	Holder
17	Lock lever (for turn base)	18	Releasing lever (for turn base)	19	Grip (for turn base)	20	Kerf board
21	Miter angle scale	22	Pointer (for miter angle)	23	Turn base	24	Releasing button (for right side bevel angle)
25	Vertical vise	26	Stopper pin (for carriage sliding)	27	Slide pole	-	-

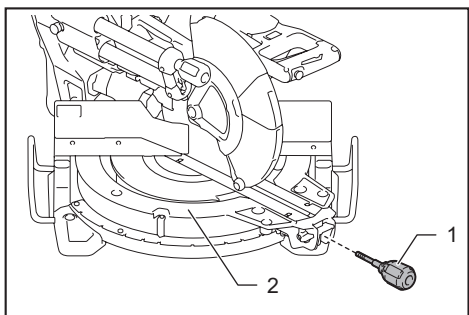


1	Handle	2	Battery cartridge	3	Dust bag (when replaced with dust extraction hose)	4	Hose (for dust extraction)
5	0° adjusting bolt (for bevel angle)	6	Bevel angle scale	7	Pointer (for bevel angle)	8	45° adjusting bolt (for bevel angle)
9	Latch lever (for bevel angle)	10	Releasing lever (for 48° bevel angle)	11	Guide fence (upper fence)	12	Guide fence (lower fence)
13	Stopper pin (for carriage elevation)	14	Shaft lock	-	-	-	-

INSTALLATION

Installing the grip

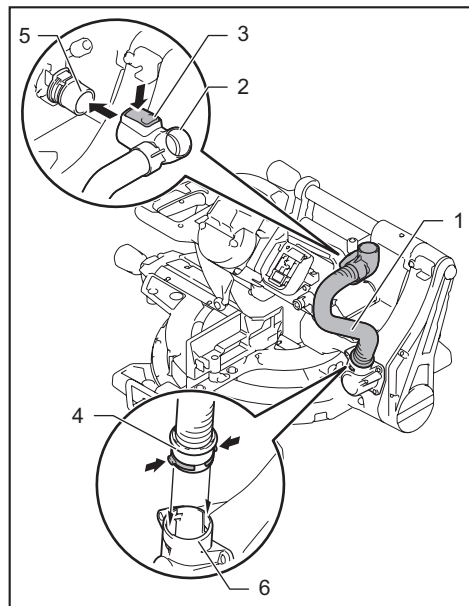
Screw the threaded shaft of the grip into the turn base.



► 1. Grip 2. Turn base

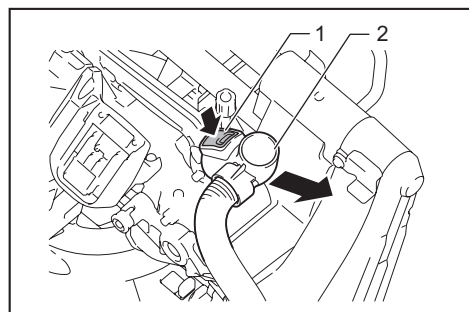
Installing and removing dust extraction hose

Attach the hose elbow to the upper port with the lock button facing upwards. Insert the sleeve of the hose into the lower port, pressing and aligning the stopper buttons on the sleeve with the guide notches on the port. Make sure that the elbow and sleeve fit properly to the ports of the tool.



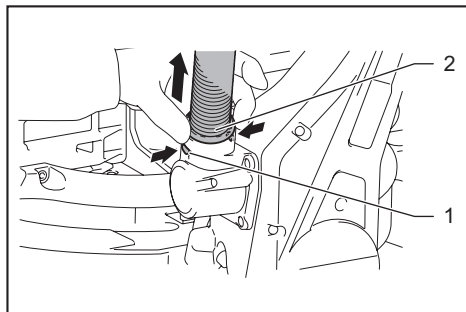
- 1. Dust extraction hose 2. Elbow 3. Lock button
4. Sleeve 5. Upper Port 6. Lower Port

To remove the hose elbow from the port, pull the elbow while pressing down the lock button.



- 1. Lock button 2. Elbow

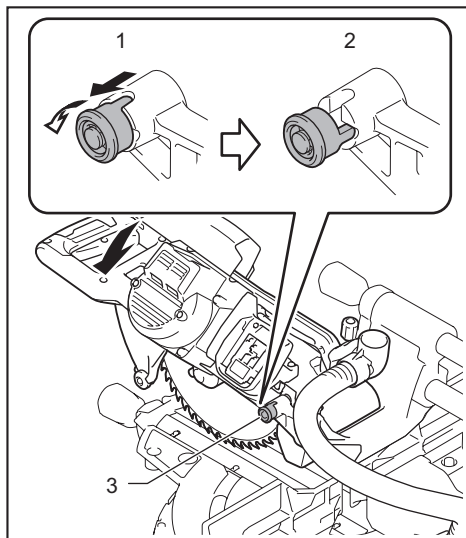
To remove the sleeve of the hose from the port, pull the sleeve while pressing the stopper buttons on both sides of the port.



- 1. Stopper button 2. Sleeve

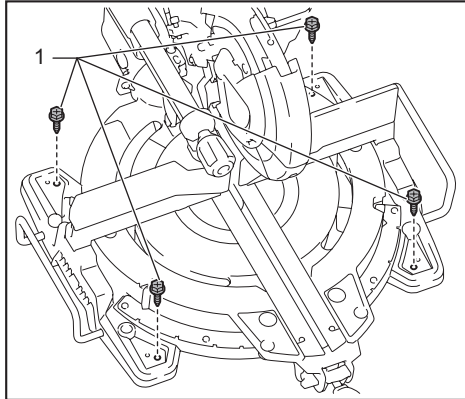
Bench mounting

When the tool is shipped, the handle is locked in the lowered position by the stopper pin. While lowering the handle slightly, pull the stopper pin and rotate it 90°.



- 1. Locked position 2. Unlocked position 3. Stopper pin

This tool should be bolted with four bolts to a level and stable surface using the bolt holes provided in the tool's base. This will help prevent tipping and possible injury.



► 1. Bolts

⚠ WARNING: Ensure that the tool will not move on the supporting surface. Movement of the miter saw on the supporting surface while cutting may result in loss of control and serious personal injury.

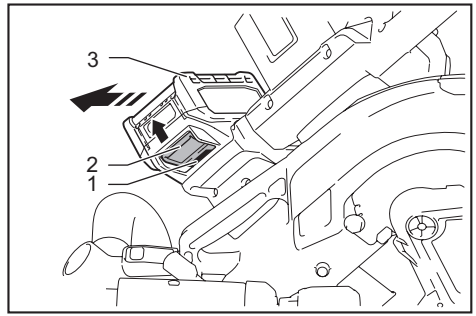
FUNCTIONAL DESCRIPTION

⚠ WARNING: Always be sure that the tool is switched off and the battery cartridge is removed before adjusting or checking the functions on the tool. Failure to switch off and remove the battery cartridge may result in serious personal injury from accidental start-up.

Installing or removing battery cartridge

⚠ CAUTION: Always switch off the tool before installing or removing of the battery cartridge.

⚠ CAUTION: Hold the tool and the battery cartridge firmly when installing or removing battery cartridge. Failure to hold the tool and the battery cartridge firmly may cause them to slip off your hands and result in damage to the tool and battery cartridge and a personal injury.



► 1. Red indicator 2. Button 3. Battery cartridge

To remove the battery cartridge, slide it from the tool while sliding the button on the front of the cartridge.

To install the battery cartridge, align the tongue on the battery cartridge with the groove in the housing and slip it into place. Insert it all the way until it locks in place with a little click. If you can see the red indicator as shown in the figure, it is not locked completely.

⚠ CAUTION: Always install the battery cartridge fully until the red indicator cannot be seen. If not, it may accidentally fall out of the tool, causing injury to you or someone around you.

⚠ CAUTION: Do not install the battery cartridge forcibly. If the cartridge does not slide in easily, it is not being inserted correctly.

Tool / battery protection system

The tool is equipped with a tool/battery protection system. This system automatically cuts off power to the motor to extend tool and battery life. The tool will automatically stop during operation if the tool or battery is placed under one of the following conditions.

Overload protection

When the tool/battery is operated in a manner that causes it to draw an abnormally high current, the tool automatically stops. In this situation, turn the tool off and stop the application that caused the tool to become overloaded. Then turn the tool on to restart.

Overheat protection

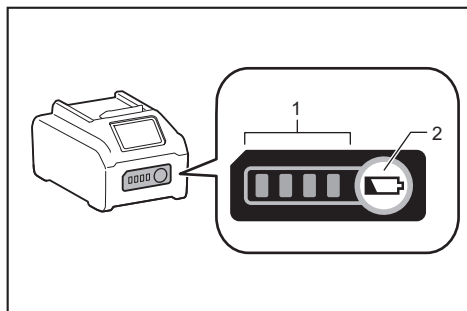
When the tool/battery is overheated, the tool stops automatically and the lamp will blink. In this situation, let the tool cool down before turning the tool on again.

Overdischarge protection

When the battery capacity becomes low, the tool stops automatically. If the tool does not run along with the switch operation, remove the battery from the tool and charge it.

Indicating the remaining battery capacity

Press the check button on the battery cartridge to indicate the remaining battery capacity. The indicator lamps light up for a few seconds.



► 1. Indicator lamps 2. Check button

Indicator lamps			Remaining capacity
Lighted	Off	Blinking	
■ ■ ■ ■			75% to 100%
■ ■ ■ □			50% to 75%
■ ■ □ □			25% to 50%
■ □ □ □			0% to 25%
▬ □ □ □			Charge the battery.
■ ■ □ □			The battery may have malfunctioned.
□ □ ■ ■	↑ ↓		

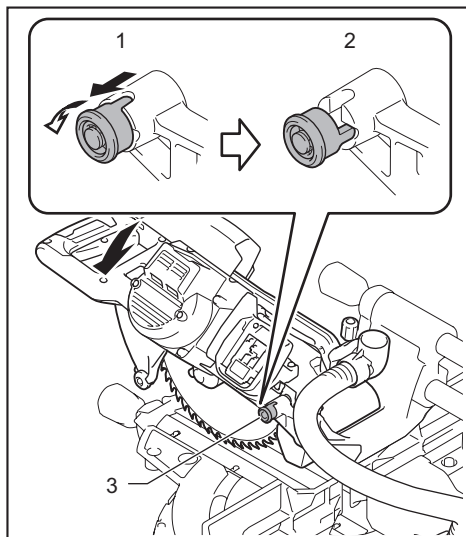
NOTE: Depending on the conditions of use and the ambient temperature, the indication may differ slightly from the actual capacity.

NOTE: The first (far left) indicator lamp will blink when the battery protection system works.

Handle lock

CAUTION: Always hold the handle when releasing the stopper pin. Otherwise the handle springs up and it may result in personal injury.

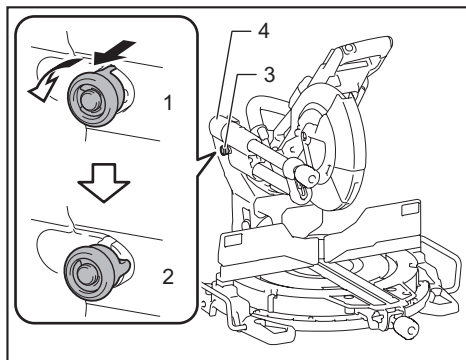
The handle can be locked either in the lowered position or raised position with the stopper pin. Lower or raise the handle fully and then pull and rotate the stopper pin in a locked position. To unlock the handle, pull the stopper pin and rotate it 90° in an unlocked position while lowering the handle slightly.



► 1. Locked position 2. Unlocked position 3. Stopper pin

Slide lock

Pull the stopper pin and turn it 90° in an unlocked position to allow free movement of the carriage. To lock the sliding movement of the carriage, push the carriage toward the arm until it stops, and then return the stopper pin in a locked position.



► 1. Locked position 2. Unlocked position 3. Stopper pin 4. Arm

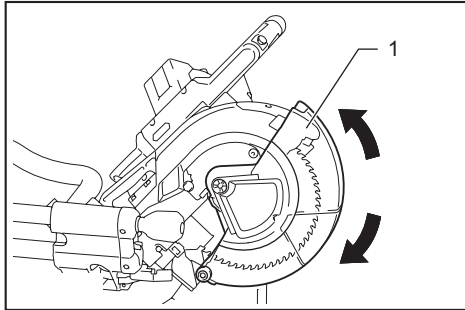
Blade guard

⚠ WARNING: Never defeat or remove the blade guard or the spring which attaches to the guard. An exposed blade as a result of defeated guarding may result in serious personal injury during operation.

⚠ WARNING: Never use the tool if the blade guard or spring are damaged, faulty or removed. Operation of the tool with a damaged, faulty or removed guard may result in serious personal injury.

⚠ CAUTION: Always maintain the blade guard in good condition for safe operation. Stop the operation immediately if there are any irregularity of the blade guard. Check to assure spring loaded return action of guard.

When lowering the handle, the blade guard raises automatically. The guard is spring loaded so it returns to its original position when the cut is completed and the handle is raised.



► 1. Blade guard

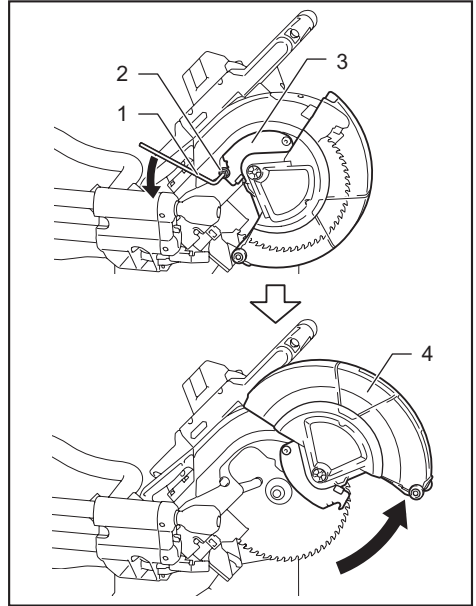
Cleaning

If the transparent blade guard becomes dirty, or sawdust adheres to it in such a way that the blade and/or workpiece is no longer easily visible, remove the battery cartridge and clean the guard carefully with a damp cloth. Do not use solvents or any petroleum-based cleaners on the plastic guard because this may cause damage to the guard.

Follow the step-by-step instructions listed on how to prepare for cleaning.

1. Make sure that the tool is switched off and the battery cartridge is removed.
2. Turn the hex bolt counterclockwise using the supplied hex wrench while holding the center cover.
3. Raise the blade guard and center cover.
4. When cleaning is complete, return the center cover and tighten the hex bolt by performing the steps above in reverse.

5. Make sure to return the circular saw blade and center cover to their original positions and tighten the hex bolt.



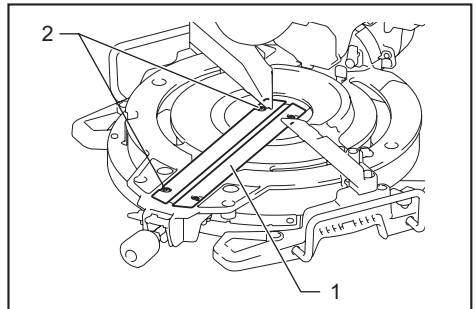
► 1. Hex wrench 2. Hex bolt 3. Center cover 4. Blade guard

⚠ WARNING: Do not remove spring holding blade guard. If guard becomes damaged in course of time or UV light exposure, contact a Makita service center for replacement. **DO NOT DEFEAT OR REMOVE GUARD.**

Positioning kerf board

This tool is provided with the kerf boards in the turn base to minimize tearing on the exit side of a cut. The kerf boards are factory adjusted so that the circular saw blade does not contact the kerf boards. Before use, adjust the kerf boards as follows:

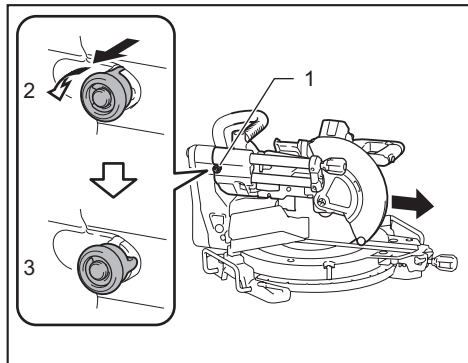
1. Make sure to remove the battery cartridge. Then, loosen all the screws (two each on left and right) securing the kerf boards.



► 1. Kerf board 2. Screws

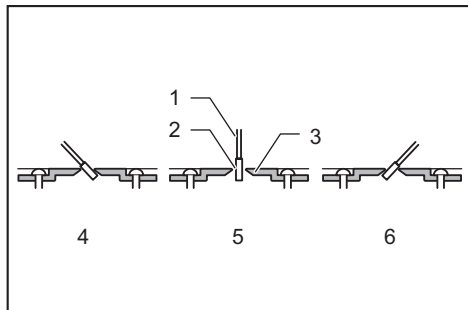
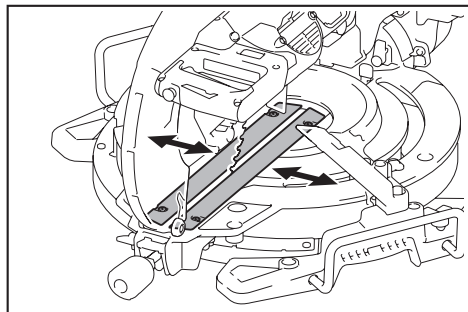
NOTE: The rear screws can easily be loosened and tightened by turning the turn base at an angle. Make sure to raise the handle fully when turning the turn base.

2. Re-tighten them only to the extent that the kerf boards can still be easily moved by hand.
3. Lower the handle fully, then pull and turn the stopper pin to lock the handle in the lowered position.
4. Pull and turn the stopper pin on the slide pole to allow the carriage sliding.



- 1. Stopper pin 2. Locked position 3. Unlocked position

5. Pull the carriage toward you fully.
6. Adjust the kerf boards so that they just contact the sides of the blade teeth.



- 1. Saw blade 2. Blade teeth 3. Kerf board 4. Left bevel cut 5. Straight cut 6. Right bevel cut

NOTICE: When changing bevel angles, be sure to reposition the kerf boards appropriately.

NOTICE: Always remove the upper guide fences and vertical vise before positioning the kerf boards for left or right bevel cut.

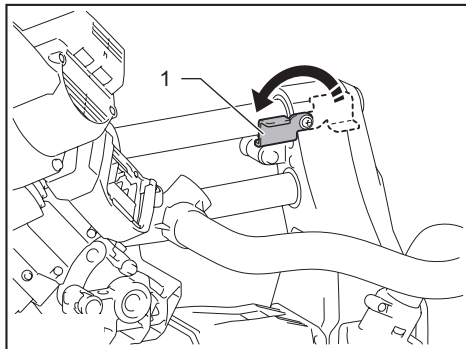
7. Tighten the front screws (do not tighten firmly).
8. Push the carriage toward the guide fences fully and then adjust the kerf boards so that they just contact the sides of the blade teeth.
9. Tighten the rear screws (do not tighten firmly).
10. After adjusting the kerf boards, release the stopper pin for handle lock and raise the handle. Then tighten all the screws securely.

NOTICE: After setting the bevel angle, ensure that the kerf boards are adjusted properly. Correct adjustment of the kerf boards helps to provide proper support of the workpiece and minimizing workpiece tear out.

Maintaining maximum cutting capacity

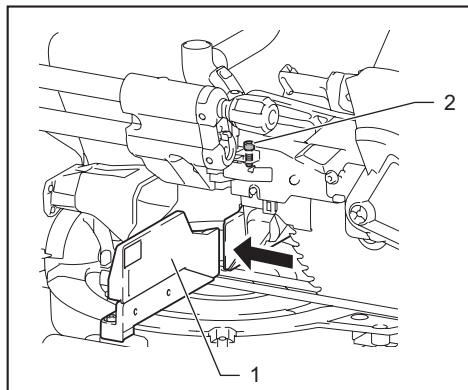
This tool is factory adjusted to provide the maximum cutting capacity for a 255 mm (10") saw blade. When installing a new circular saw blade, always check the lower limit position of the circular saw blade, and if necessary, adjust it as follows:

1. Remove the battery cartridge. Then turn the stopper lever to engaged position.



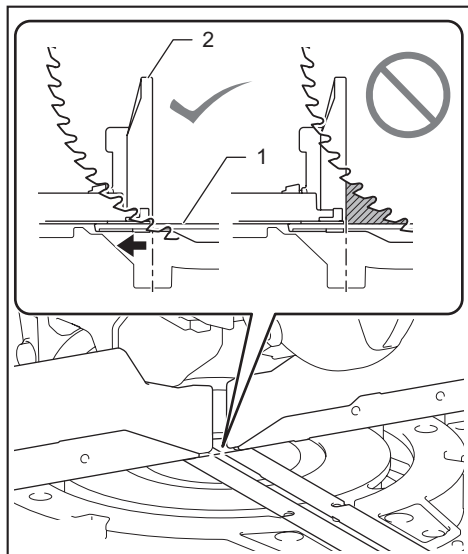
- 1. Stopper lever

2. Push the carriage toward the guide fences fully and lower the handle completely.



► 1. Guide fence 2. Adjusting bolt

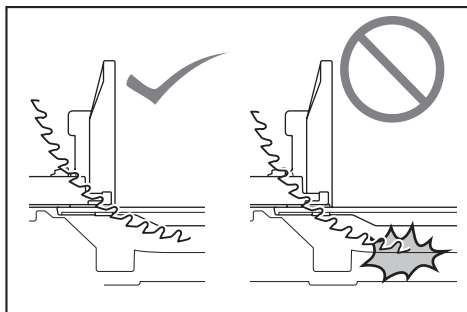
3. Use the hex wrench to turn the adjusting bolt until the circular saw blade comes slightly below the cross section of the guide fences and the top surface of the turn base.



► 1. Top surface of turn base 2. Guide fence

4. Rotate the blade by hand while holding the handle all the way down to be sure that the circular saw blade does not contact any part of the lower base. Re-adjust slightly, if necessary.

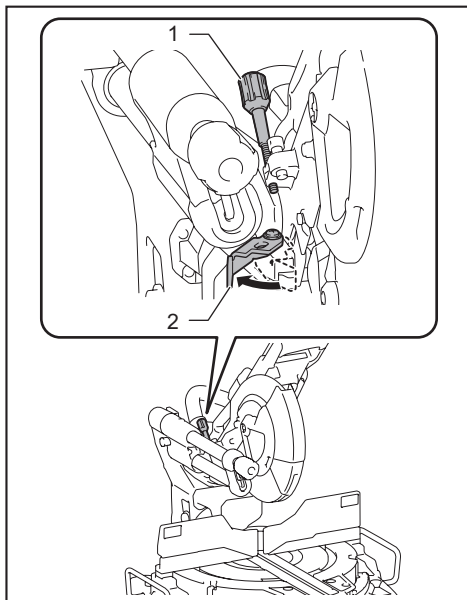
⚠WARNING: After installing a new circular saw blade and with the battery cartridge removed, always be sure that the circular saw blade does not contact any part of the lower base when the handle is lowered completely. If a circular saw blade makes contact with the base, it may cause kickback and result in serious personal injury.



⚠CAUTION: Always return the stopper lever to the original position after adjustment.

Stopper arm

The lower limit position of the circular saw blade can be easily adjusted with the stopper arm. To adjust it, move the stopper arm in the direction of the arrow as shown in the figure. Turn the adjusting screw so that the circular saw blade stops at the desired position when lowering the handle fully.



► 1. Adjusting screw 2. Stopper arm

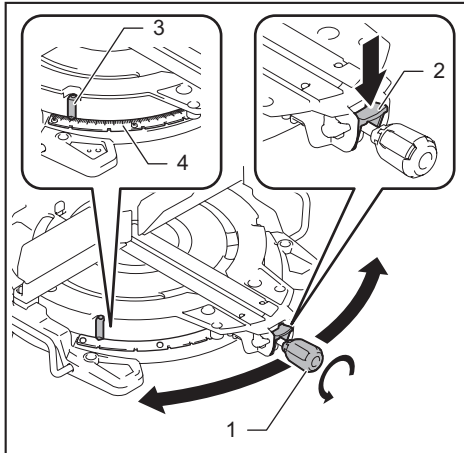
CAUTION: Always hold the handle firmly when adjusting. Failure to do so may cause the carriage to jump up and result in injury.

Adjusting the miter angle

CAUTION: After changing the miter angle, always secure the turn base by returning the lock/releasing lever to a locked position and tightening the grip firmly.

NOTICE: When turning the turn base, be sure to raise the handle fully.

1. Rotate the grip counterclockwise. Then press and hold down the lock lever into an unlocked position.
2. Hold and swing the grip from side to side to turn the turn base.
3. Align the pointer with your desired angle on the miter angle scale.
4. Release the lock lever and tighten the grip.

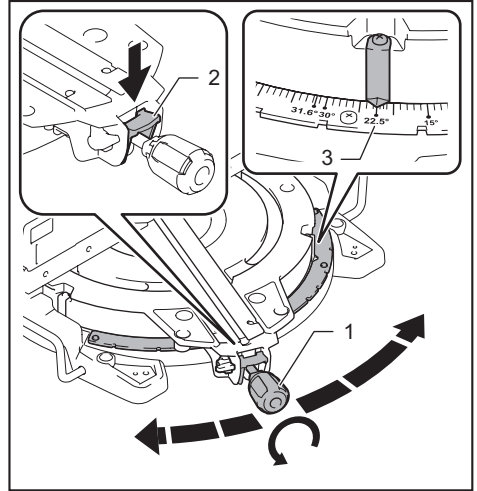


- 1. Grip 2. Lock lever 3. Pointer 4. Miter angle scale

Positive stop function

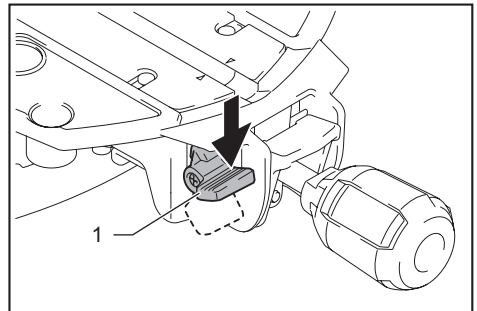
This miter saw employs positive stop function. You can set 0°, 15°, 22.5°, 31.6°, 45°, and 60° right/left miter angle quickly.

1. Rotate the grip counterclockwise
2. Press and hold down the lock lever in an unlocked position.
3. Turn the turn base close to your desired positive stop angle and release the lock lever.
4. Turn the turn base at your desired positive stop angle until it is secured.
5. Tighten the grip.



- 1. Grip 2. Lock lever 3. Positive stop angle

NOTE: To set the turn base free from the positive stop function, press down the releasing lever. The turn base can be moved freely without holding down the lock lever. Swing the grip to turn the turn base to your desired angle, and then tighten the grip.



- 1. Releasing lever

Adjusting the bevel angle

CAUTION: After changing the bevel angle, always secure the arm by tightening the knob on the slide pole clockwise.

NOTICE: Always remove the upper guide fences and vertical vise before adjusting the bevel angle.

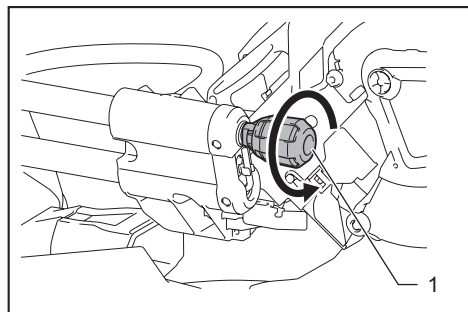
NOTICE: When tilting the circular saw blade, be sure that the carriage is fully raised.

NOTICE: When changing bevel angles, be sure to reposition the kerf boards appropriately as explained in the section for positioning kerf boards.

NOTICE: Do not tighten the knob on the slide pole too hard. Doing so may cause malfunction of the locking mechanism of the bevel angle.

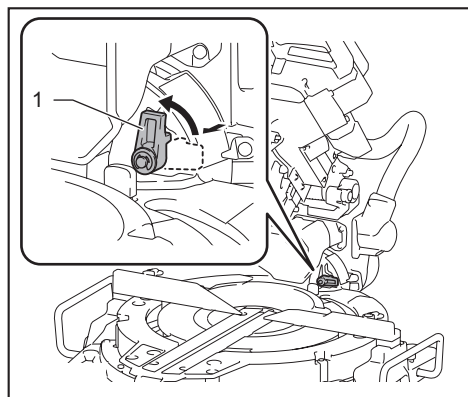
Tilting the circular saw blade to the left

1. Rotate the knob on the slide pole counterclockwise.



- 1. Knob

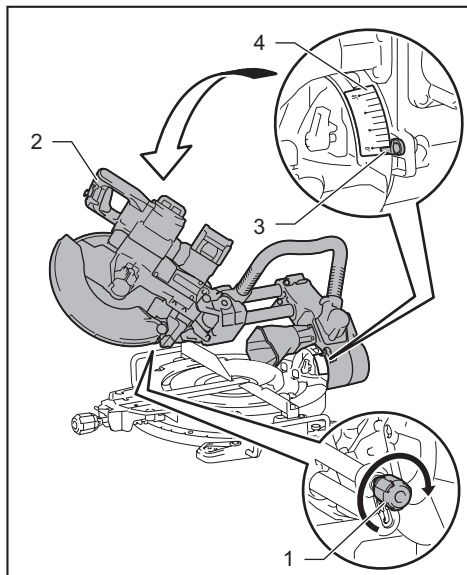
2. Pull and raise the latch lever up to allow free movement of the carriage arm.



- 1. Latch lever

3. Hold the handle and tilt the carriage to the left.

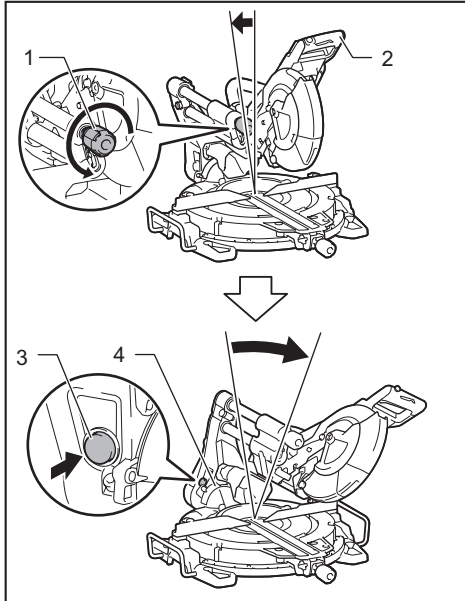
4. Align the pointer with your desired angle on the bevel angle scale.
5. Tighten the knob clockwise to secure the carriage arm.



- 1. Knob 2. Handle 3. Pointer 4. Bevel angle scale

Tilting the circular saw blade to the right

1. Rotate the knob on the slide pole counterclockwise.
2. Hold the handle and tilt the carriage to the left slightly.
3. Tilt the carriage to the right while pressing the releasing button for right side bevel angle.
4. Align the pointer with your desired angle on the bevel angle scale.
5. Tighten the knob clockwise to secure the carriage arm.

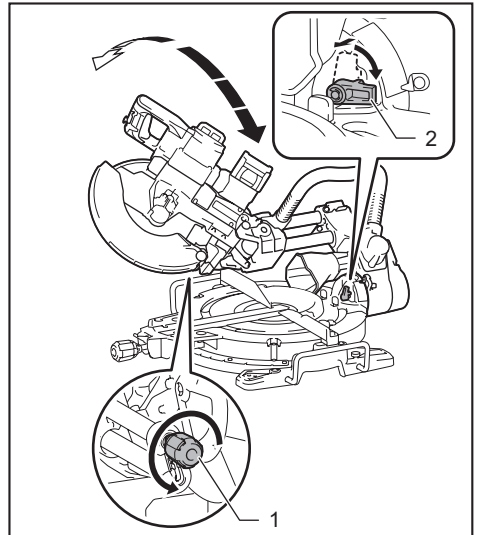


- 1. Knob 2. Handle 3. Releasing button for right side bevel angle 4. Bevel angle scale

Tilting the circular saw blade using positive stop function

This miter saw employs positive stop function. You can set 22.5° and 33.9° angle to both right and left quickly.

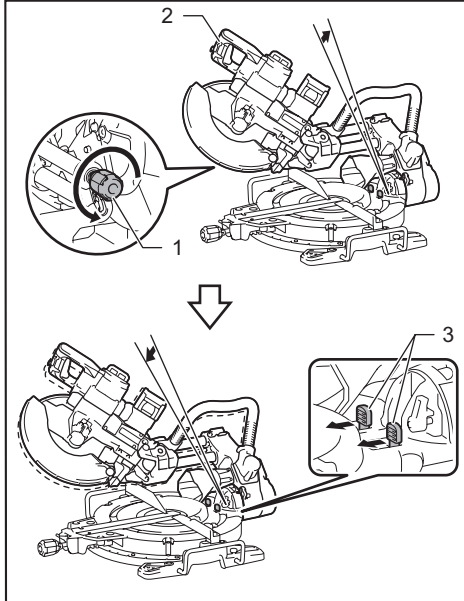
1. Rotate the knob on the slide pole counterclockwise.
2. Tilt the carriage close to your desired positive stop angle while raising the latch lever up.
3. Set the latch lever in a horizontal position.
4. Tilt the carriage at your desired positive stop angle until it is secured.
5. To change the angle, pull the latch lever towards the front of the tool, and then re-tilt the carriage.
6. Tighten the knob clockwise to secure the carriage arm.



- 1. Knob 2. Latch lever

Tilting the circular saw blade beyond the range 0° - 45°

1. Rotate the knob on the slide pole counterclockwise.
2. Hold the handle and tilt the carriage through 45° either to the left or right.
3. Pull the carriage back slightly and slide the releasing lever for 48° bevel angle towards the front of the tool.
4. Tilt the carriage further to the left or right while keeping the lever released.
5. Tighten the knob clockwise to secure the carriage arm.



- 1. Knob 2. Handle 3. Releasing lever for 48° bevel angle

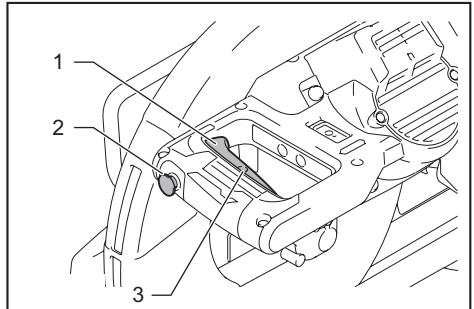
Switch action

⚠WARNING: Before installing the battery cartridge(s) into the tool, always check to see that the switch trigger actuates properly and returns to the "OFF" position when released. Do not pull the switch trigger hard without pressing in the lock-off button. This can cause switch breakage. Operating a tool with a switch that does not actuate properly can lead to loss of control and serious personal injury.

⚠WARNING: NEVER use tool without a fully operative switch trigger. Any tool with an inoperative switch is HIGHLY DANGEROUS and must be repaired before further usage or serious personal injury may occur.

⚠WARNING: NEVER defeat the lock-off button by taping down or some other means. A switch with a negated lock-off button may result in unintentional operation and serious personal injury.

⚠WARNING: NEVER use the tool if it runs when you simply pull the switch trigger without pressing the lock-off button. A switch in need of repair may result in unintentional operation and serious personal injury. Return tool to a Makita service center for proper repairs BEFORE further usage.



- 1. Switch trigger 2. Lock-off button 3. Hole for padlock

To prevent the switch trigger from being accidentally pulled, a lock-off button is provided. To start the tool, press in the lock-off button and pull the switch trigger. Release the switch trigger to stop.

A hole is provided in the switch trigger for insertion of a padlock to lock the tool off.

⚠WARNING: Do not use a lock with a shank or cable any smaller than 6.35 mm (1/4") in diameter. A smaller shank or cable may not properly lock the tool in the off position and unintentional operation may occur resulting in serious personal injury.

Casting a cutting line

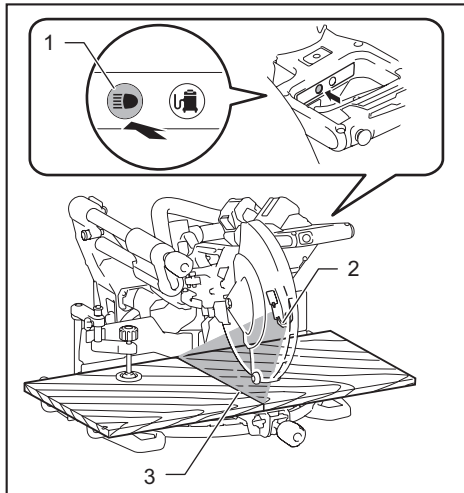
CAUTION: The lamp is not a rainproof. Do not wash the lamp in water or use it in a rain or a wet area. Such a conduct can cause an electric shock and fume.

CAUTION: Do not touch the lens of the lamp as it is very hot while it is lighted or shortly after it is turned off. This may cause burns.

CAUTION: Do not apply impact to the lamp, which may cause damage or shorted service time to it.

CAUTION: Do not look in the light or see the source of light directly.

The LED lamp casts a light over the circular saw blade, and a shadow of the blade falls onto a workpiece serving as a calibration-free cutting line indicator. Press the lamp button to shed a light. A line appears in which the blade will meet the surface of the workpiece, becoming deepened as the blade gets lowered.



► 1. Lamp button 2. Lamp 3. Cutting line

The indicator helps cut through an existing cut-off line penciled on a workpiece.

1. Hold the handle and lower the circular saw blade so a dense shadow of the blade is thrown against a workpiece.
2. Align a cut-off line drawn on the workpiece with the shadowed cutting line.
3. Adjust the miter angles and bevel angles if necessary.

NOTE: Be sure to turn off the lamp switch after use because turning on the light consumes the battery power.

NOTE: The light automatically goes off 5 minutes after you cease operation.

Electronic function

Electric brake

This tool is equipped with an electric blade brake. If the tool consistently fails to quickly cease to function after the switch trigger is released, have the tool serviced at a Makita service center.

CAUTION: The blade brake system is not a substitute for the blade guard. Never use tool without a functioning blade guard. An unguarded blade may result in serious personal injury.

Constant speed control

The tool is provided with an electronic speed control which helps maintain a constant blade rotation speed even under load. A constant blade rotation speed will result in a very smooth cut.

Soft start feature

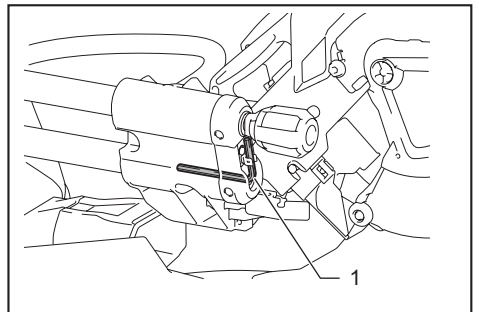
This function allows the smooth start-up of the tool by limiting the start-up torque.

ASSEMBLY

WARNING: Always be sure that the tool is switched off and the battery cartridge is removed before working on the tool. Failure to switch off and remove the battery cartridge may result in serious personal injury.

Hex wrench storage

When not in use, store the hex wrench as shown in the figure to keep it from being lost.



► 1. Hex wrench

Removing and installing saw blade

⚠ WARNING: Always be sure that the tool is switched off and the battery cartridge is removed before removing and installing the circular saw blade. Accidental start up of the tool may result in serious personal injury.

⚠ WARNING: Use only the Makita wrench provided to remove and install the circular saw blade. Failure to use the wrench may result in overtightening or insufficient tightening of the hex socket bolt and serious personal injury.

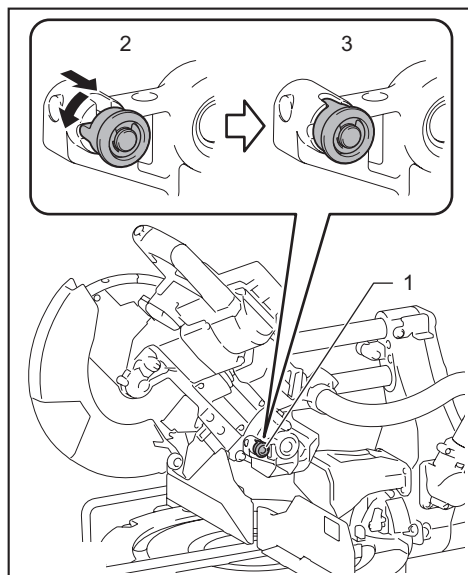
⚠ WARNING: Never use or substitute the parts which are not supplied with this tool. Using such parts can cause serious personal injury.

⚠ WARNING: After installing the circular saw blade, always make sure that it is securely installed. Loose attachment of the circular saw blade can cause serious personal injury.

Removing the blade

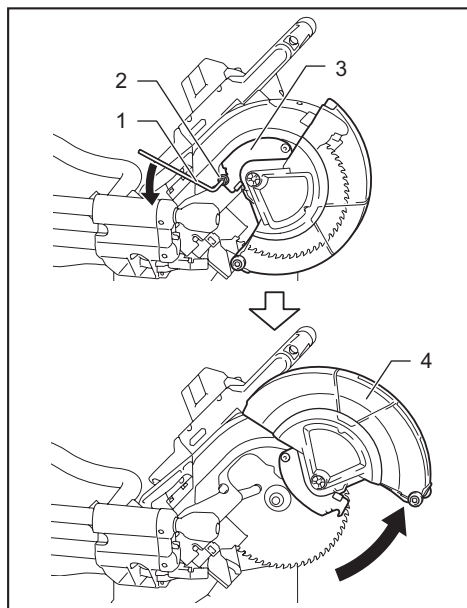
To remove the circular saw blade, perform the following steps:

1. Lock the carriage in the raised position by pulling and turning the stopper pin in a locked position.



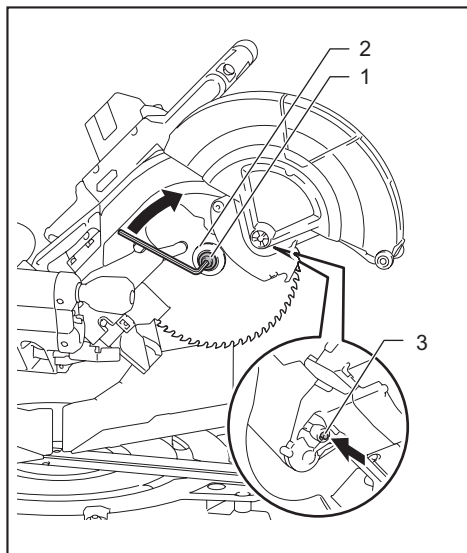
- 1. Stopper pin 2. Unlocked position 3. Locked position

2. Use the hex wrench to loosen the hex bolt holding the center cover. Then, raise the blade guard and center cover.



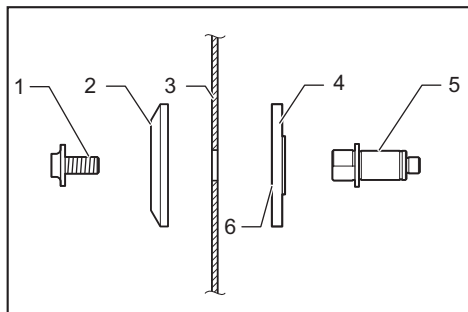
- 1. Hex wrench 2. Hex bolt 3. Center cover 4. Blade guard

3. Press the shaft lock to lock the spindle and use the hex wrench to loosen the hex socket bolt clockwise. Then remove the hex socket bolt, outer flange and circular saw blade.



- 1. Hex socket bolt (left-handed) 2. Outer flange 3. Shaft lock

4. If the inner flange is removed, install it on the spindle with its recessed side facing the circular saw blade. If the flange is installed incorrectly the flange will rub against the machine.



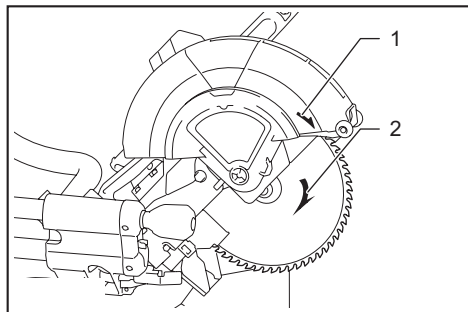
- 1. Hex socket bolt (left-handed) 2. Outer flange
3. Circular saw blade 4. Inner flange 5. Spindle
6. Recessed side

Installing the blade

CAUTION: Make sure to install the circular saw blade so that the direction of the arrow on the blade matches that on the blade case. Failure to do so may result in personal injury and cause damage to the tool and/or the workpiece.

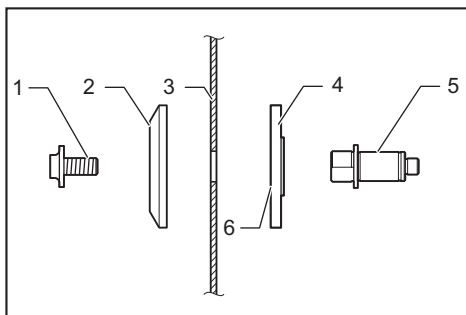
To install the circular saw blade, perform the following steps:

1. Mount the circular saw blade carefully onto the inner flange. Make sure that the direction of the arrow on the circular saw blade matches the direction of the arrow on the blade case.



- 1. Arrow on blade case 2. Arrow on circular saw blade

2. Install the outer flange and hex socket bolt, and then use the hex wrench to tighten the hex socket bolt counterclockwise securely while pressing the shaft lock.



- 1. Hex socket bolt (left-handed) 2. Outer flange
3. Circular saw blade 4. Inner flange 5. Spindle
6. Recessed side

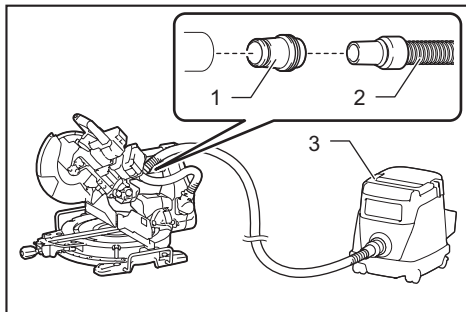
3. Return the blade guard and center cover to its original position. Then tighten the hex bolt clockwise to secure the center cover.

4. Pull and turn the stopper pin in an unlocked position to release the carriage from the raised position. Lower the carriage and check that the blade guard moves properly.

CAUTION: Make sure shaft lock has released spindle before making cut.

Connecting a vacuum cleaner

When you wish to perform clean cutting operation, connect a Makita vacuum cleaner to the dust nozzle (upper dust port) using a front cuff 24 (optional accessory).

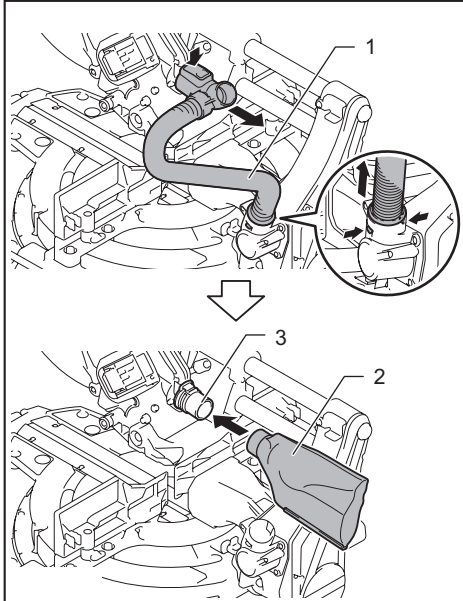


- 1. Front cuff 24 2. Hose 3. Vacuum cleaner

Dust bag

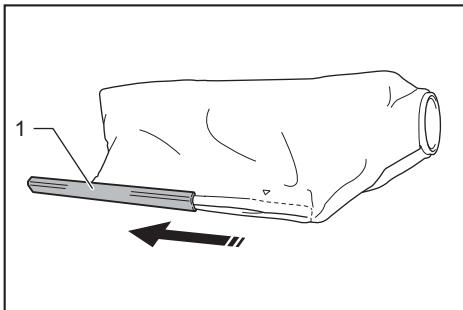
⚠ CAUTION: When performing a cutting, always attach the dust bag or connect a vacuum cleaner to prevent dust-related hazards.

The use of the dust bag makes cutting operations clean and dust collection easy. To attach the dust bag, remove the dust extraction hose from the tool and connect the dust bag to the dust nozzle (upper dust port).



- 1. Dust extraction hose 2. Dust bag 3. Dust nozzle (upper dust port)

When the dust bag is about half full, remove the dust bag from the tool and pull the fastener out. Empty the dust bag of its contents, tapping it lightly so as to remove particles adhering to the insides which might hamper further collection.

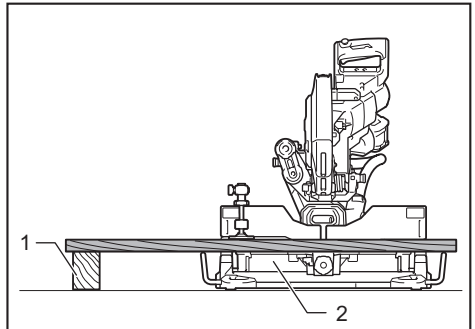


- 1. Fastener

Securing workpiece

⚠ WARNING: It is extremely important to always secure the workpiece correctly with the proper type of vise or crown molding stoppers. Failure to do so may result in serious personal injury and cause damage to the tool and/or the workpiece.

⚠ WARNING: When cutting a workpiece that is longer than the support base of the miter saw, support the entire length of the material beyond the support base keeping the material level. Proper workpiece support helps to avoid blade pinch and possible kickback which may result in serious personal injury. Do not rely solely on the vertical vise and/or horizontal vise to secure the workpiece. Thin material tends to sag. Support workpiece over its entire length to avoid blade pinch and possible KICKBACK.



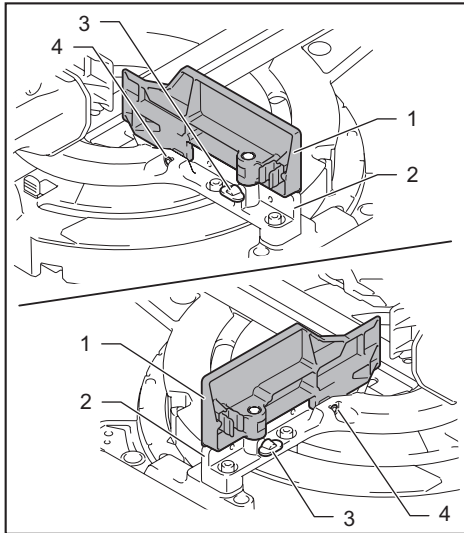
- 1. Support 2. Turn base

Guide fences

⚠ WARNING: Before operating the tool, make sure that the upper fence is secured firmly.

⚠ WARNING: Before bevel-cutting, make sure that no part of the tool, especially the saw blade, contacts the upper and lower fences when fully lowering and raising the handle in any position and while moving the carriage through its full range of travel. If the tool or blade makes contact with the fence, this may result in kickback or unexpected movement of the material and serious personal injury.

Use upper fences to support the material higher than the lower fences. Insert the upper fence into the hole on the lower fence and tighten the clamping screw.

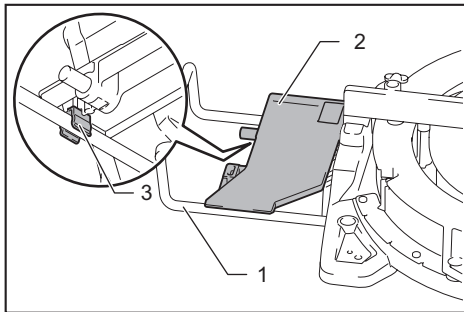


- 1. Upper fence 2. Lower fence 3. Clamping screw
4. Adjusting screw

NOTICE: The lower fences are fixed to the base in the factory. Do not remove the lower fences.

NOTICE: If the upper fence is still loose after tightening the clamping screw, turn the adjusting screw to close a gap. The adjusting screw is factory adjusted. You don't need to use it unless needed.

When not using the upper fence, you can store it onto the holder. Use the clip on the upper fence to hold it on the holder.

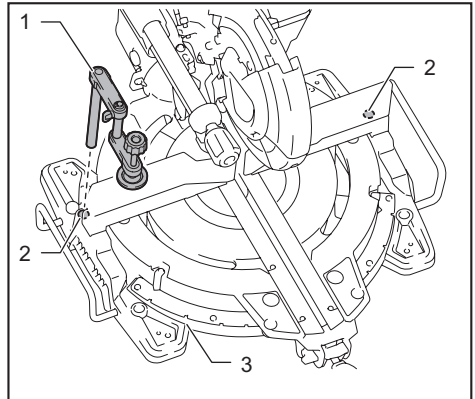


- 1. Holder 2. Upper fence 3. Clip

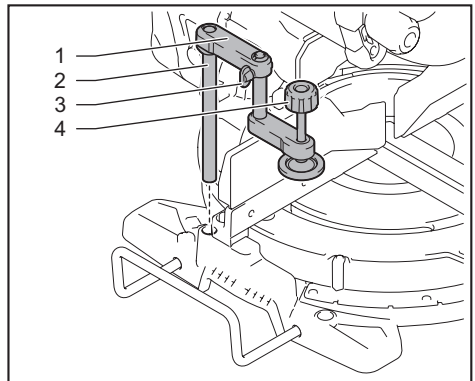
Vertical vise

⚠WARNING: The workpiece must be secured firmly against the turn base and guide fences with the vise during all operations. If the workpiece is not properly secured against the fences, the material may move during the cutting operation causing possible damage to the circular saw blade, causing the material to be thrown and loss of control resulting in serious personal injury.

The vertical vise can be installed in either the left or right side of the base. Insert the vise rod into the hole in the base.



- 1. Vertical vise 2. Hole for vertical vise 3. Base



- 1. Vise arm 2. Vise rod 3. Clamping screw 4. Vise knob

Position the vise arm according to the thickness and shape of the workpiece and secure the vise arm by tightening the screw. If the clamping screw contacts the carriage, install the vertical vise into the opposite side of the base. Make sure that no part of the tool contacts the vise when lowering the handle all the way. If some part contacts the vise, re-position the vise.

Press the workpiece flat against the guide fences and the turn base. Position the workpiece at the desired cutting position and secure it firmly by tightening the vise knob.

NOTE: For a quick setting of workpiece, turning the vise knob to 90° counterclockwise allows the vise knob to be moved up and down. To secure the workpiece after setting, turn the vise knob clockwise.

Horizontal vise

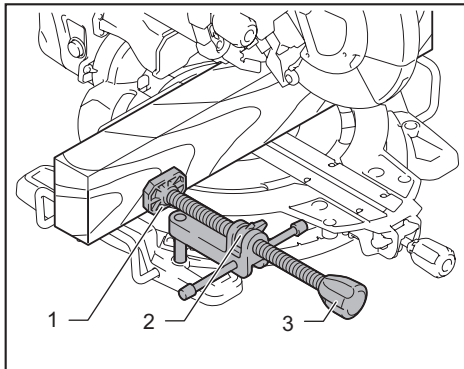
Optional accessory

⚠WARNING: Always rotate the vise nut clockwise until the workpiece is properly secured. If the workpiece is not properly secured, the material may move during the cutting operation causing possible damage to the circular saw blade, causing the material to be thrown and loss of control resulting in serious personal injury.

⚠WARNING: When cutting a thin workpiece, such as base boards, against the fence, always use the horizontal vise.

⚠CAUTION: When cutting the workpiece of the thickness 20 mm (13/16") or thinner, make sure to use a spacer block to secure the workpiece.

The horizontal vise can be installed in either the left or right side of the base. When performing 22.5° or greater miter cuts, install the horizontal vise in the side opposed to the direction in which the turn base is to be turned.



► 1. Vise plate 2. Vise nut 3. Vise knob

By flipping the vise nut counterclockwise, the vise is released, and rapidly moves in and out. To grip the workpiece, push the vise knob forward until the vise plate contacts the workpiece and flip the vise nut clockwise. Then turn the vise knob clockwise to secure the workpiece.

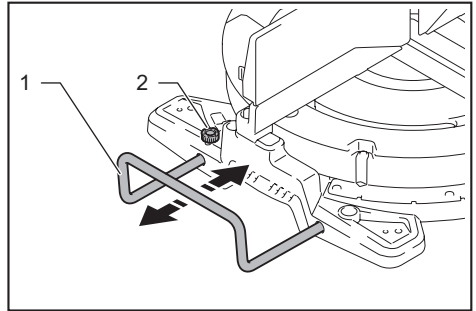
NOTE: The maximum width of workpiece which can be secured by the horizontal vise is 228 mm (9").

Holders

⚠WARNING: Always support a long workpiece so it is level with the top surface of the turn base for an accurate cut and to prevent dangerous loss of tool control. Proper workpiece support will help avoid blade pinch and possible kickback which may result in serious personal injury.

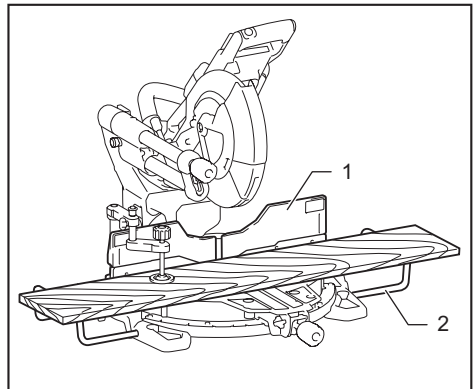
⚠WARNING: Before the cutting operation, always be sure that the holders are secured by the screws.

To hold long workpieces horizontally, holders are provided on both sides of the tool. Loosen the screws and extend the holders to the appropriate length for holding the workpiece. Then tighten the screws.



► 1. Holder 2. Screw

When cutting, place the workpiece flat against the guide fences.



► 1. Guide fence 2. Holder

Sub base

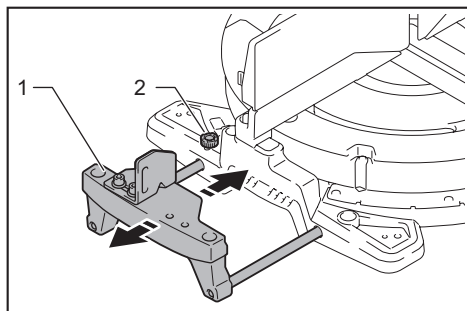
Optional accessory

⚠WARNING: Always support a long workpiece so it is level with the top surface of the turn base for an accurate cut and to prevent dangerous loss of tool control. Proper workpiece support will help avoid blade pinch and possible kickback which may result in serious personal injury.

⚠WARNING: Before the cutting operation, always be sure that a sub base is secured by the screw.

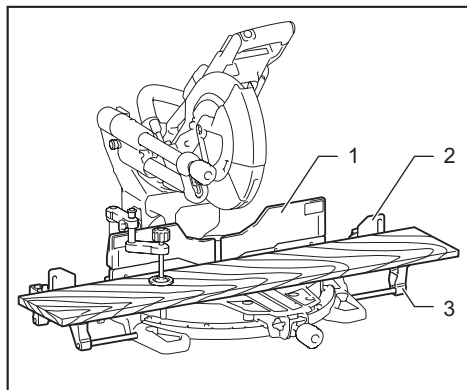
NOTE: For details on installation, follow the instructions provided with an optional sub base.

Install an optional sub base in the base to hold long workpieces more securely. Loosen the screw and extend the sub base to the appropriate length for holding the workpiece. Then tighten the screw.



► 1. Sub base 2. Screw

When cutting, place the workpiece flat against the guide fence and the sub fence on the sub base.

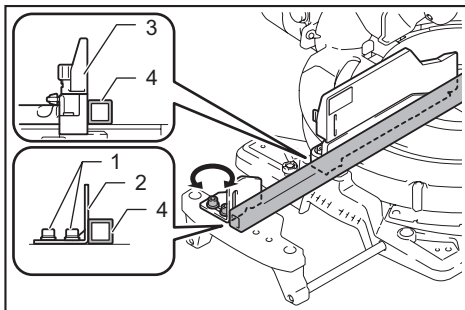


► 1. Guide fence 2. Sub fence 3. Sub base

Adjusting sub fence

Adjust the sub fence on the sub base if it is not aligned with guide fence.

1. Loosen the bolts securing the sub fence using the hex wrench.
2. Place a straight rigid bar, such as a square steel member, flat against the guide fence.
3. While the bar is flat against the guide fence, reposition the sub fence so that the face of the sub fence becomes flat against the bar. After that, tighten the bolts.



► 1. Bolt 2. Sub fence 3. Guide fence 4. Rigid bar

OPERATION

This tool is intended to cut wood products. With appropriate Makita genuine saw blades, following materials can also be sawed :

— Aluminum products

Refer to our website or contact your local Makita dealer for the correct circular saw blades to be used for the material to be cut.

⚠WARNING: Make sure the saw blade is not contacting the workpiece, etc. before the switch is turned on. Turning the tool on with the blade in contact with the workpiece may result in kickback and serious personal injury.

⚠WARNING: After a cutting operation, do not raise the saw blade until it has come to a complete stop. The raising of a coasting blade may result in serious personal injury and damage to the workpiece.

⚠WARNING: Do not perform any adjustment such as turning grip, knob, and levers on the tool while the saw blade is rotating. Adjustment while the blade is rotating may result in serious personal injury.

NOTICE: Before use, be sure to unlock the stopper pin and release the handle from the lowered position.

NOTICE: Do not apply excessive pressure on the handle when cutting. Too much force may result in overload of the motor and/or decreased cutting efficiency. Press down handle with only as much force as necessary for smooth cutting and without significant decrease in blade speed.

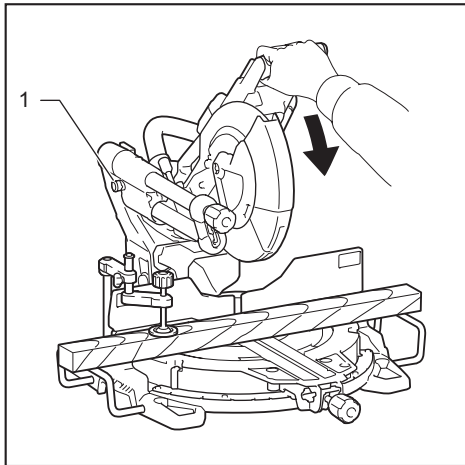
NOTICE: Gently press down the handle to perform the cut. If the handle is pressed down with force or if lateral force is applied, the blade may vibrate and leave a mark (saw mark) in the workpiece and the precision of the cut may be impaired.

NOTICE: During a slide cut, gently push the carriage toward the guide fence without stopping. If the carriage movement is stopped during the cut, a mark will be left in the workpiece and the precision of the cut will be impaired.

Press cutting

WARNING: Always lock the sliding movement of the carriage when performing a press cutting. Cutting without lock may cause possible kickback which may result in serious personal injury.

Workpieces up to 71 mm (2-13/16") high and 155 mm (6-1/8") wide can be cut in the following manner.



► 1. Stopper pin

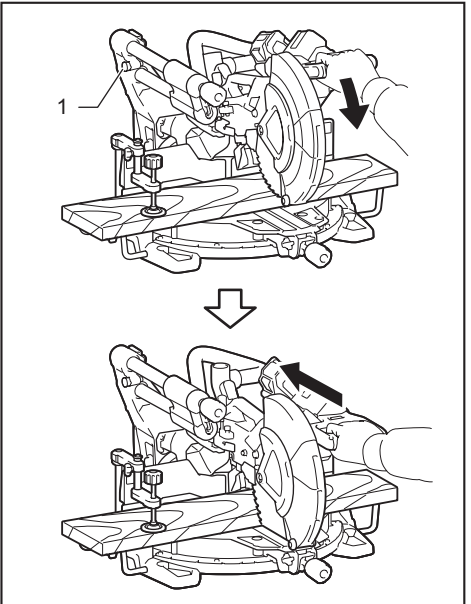
1. Push the carriage toward the guide fence until it stops and lock it with the stopper pin.
2. Secure the workpiece with the proper type of vise.
3. Switch on the tool without the circular saw blade making any contact and wait until the circular saw blade attains full speed before lowering.
4. Gently lower the handle to the fully lowered position to cut the workpiece.
5. When the cut is completed, switch off the tool and wait until the circular saw blade has come to a complete stop before returning the circular saw blade to its fully elevated position.

Slide (push) cutting (cutting wide workpieces)

WARNING: Whenever performing a slide cut, first pull the carriage full towards you and press the handle all the way down, then push the carriage toward the guide fence. Never start the cut with the carriage not pulled fully toward you. If you perform the slide cut without the carriage pulled fully toward you, unexpected kickback may occur and serious personal injury may result.

WARNING: Never attempt to perform a slide cut by pulling the carriage towards you. Pulling the carriage towards you while cutting may cause unexpected kickback resulting in possible serious personal injury.

WARNING: Never perform the slide cut with the handle locked in the lowered position.



► 1. Stopper pin

1. Unlock the stopper pin so that the carriage can slide freely.
2. Secure the workpiece with the proper type of vise.
3. Pull the carriage toward you fully.
4. Switch on the tool without the saw blade making any contact and wait until the saw blade attains full speed.
5. Press the handle down and push the carriage toward the guide fence and through the workpiece.
6. When the cut is completed, switch off the tool and wait until the saw blade has come to a complete stop before returning the blade to its fully elevated position.

Miter cutting

Refer to the section for adjusting the miter angle.

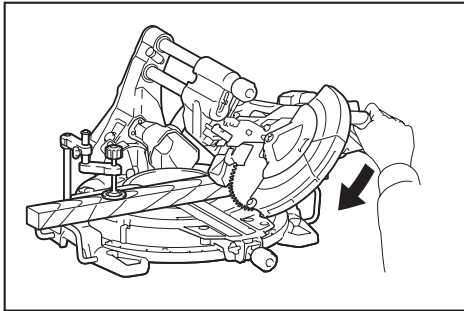
Bevel cutting

⚠ WARNING: After setting the blade for a bevel cut, ensure that the carriage and saw blade will have free travel throughout the entire range of the intended cut before operating the tool. Interruption of the carriage or blade travel during the cutting operation may result in kickback and serious personal injury.

⚠ WARNING: While making a bevel cut, keep hands out of the path of the saw blade. The angle of the blade may confuse the operator as to the actual blade path while cutting and contact with the blade will result in serious personal injury.

⚠ WARNING: The saw blade should not be raised until it has come to a complete stop. During a bevel cut, the piece cut off may come to rest against the saw blade. If the blade is raised while it is rotating, the cut-off piece may be ejected by the blade causing the material to fragment which may result in serious personal injury.

NOTICE: When pressing down the handle, apply pressure in parallel with the blade. If a force is applied perpendicularly to the turn base or if the pressure direction is changed during a cut, the precision of the cut will be impaired.



1. Remove the upper fence on the side that you are going to tilt the carriage.
2. Unlock the stopper pin.
3. Adjust the bevel angle according to the procedure explained in the section for bevel angle adjustment. Then tighten the knob.
4. Secure the workpiece with a vise.
5. Pull the carriage toward you fully.
6. Switch on the tool without the blade making any contact and wait until the blade attains full speed.
7. Gently lower the handle to the fully lowered position while applying pressure in parallel with the blade and **push the carriage toward the guide fence to cut the workpiece.**
8. When the cut is completed, switch off the tool and **wait until the blade has come to a complete stop** before returning the blade to its fully elevated position.

Compound cutting

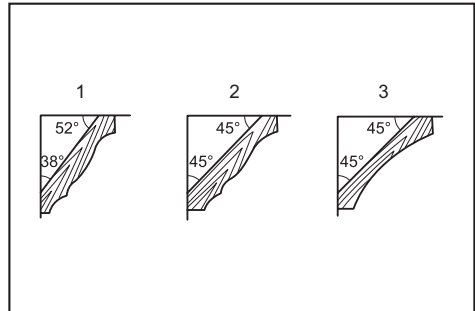
Compound cutting is the process in which a bevel angle is made at the same time in which a miter angle is being cut on a workpiece. Compound cutting can be performed at the angle shown in the table.

Miter angle	Bevel angle
Left and Right 0° - 45°	Left and Right 0° - 45°

When performing compound cutting, refer to the section for press cutting, slide (push) cutting, miter cutting and bevel cut.

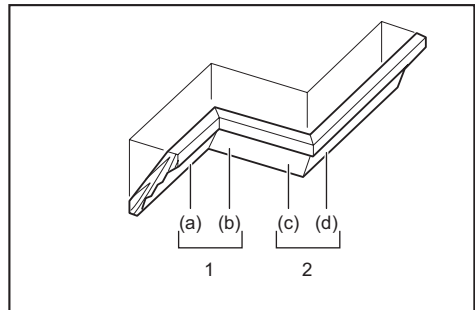
Cutting crown and cove moldings

Crown and cove moldings can be cut on a compound miter saw with the moldings laid flat on the turn base. There are two common types of crown moldings and one type of cove moldings; 52/38° wall angle crown molding, 45° wall angle crown molding and 45° wall angle cove molding.

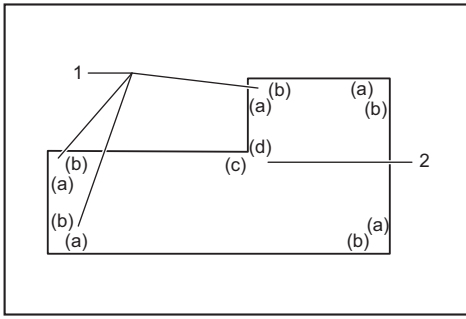


- 1. 52/38° type crown molding 2. 45° type crown molding 3. 45° type cove molding

There are crown and cove molding joints which are made to fit "Inside" 90° corners ((a) and (b) in the figure) and "Outside" 90° corners ((c) and (d) in the figure.)

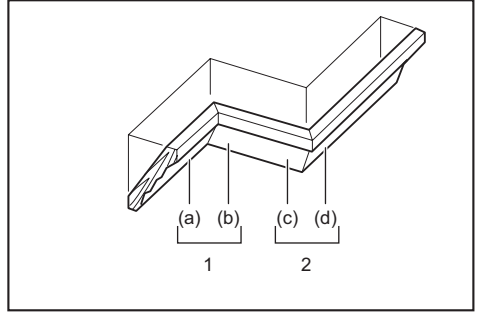


1. Inside corner 2. Outside corner



1. Inside corner 2. Outside corner

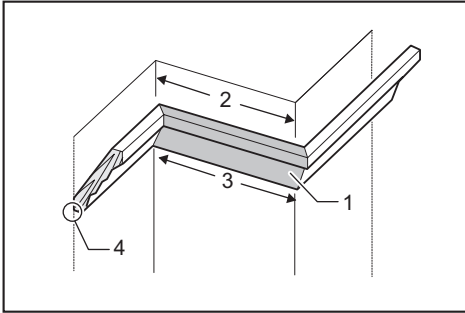
In the case of left bevel cut



1. Inside corner 2. Outside corner

Measuring

Measure the wall width, and adjust the width of the workpiece according to it. Always make sure that width of the workpiece's wall contact edge is the same as wall length.



► 1. Workpiece 2. Wall width 3. Width of the workpiece 4. Wall contact edge

Always use several pieces for test cuts to check the saw angles.

When cutting crown and cove moldings, set the bevel angle and miter angle as indicated in the table (A) and position the moldings on the top surface of the saw base as indicated in the table (B).

Table (A)

-	Molding position in the figure	Bevel angle		Miter angle	
		52/38° type	45° type	52/38° type	45° type
For inside corner	(a)	Left 33.9°	Left 30°	Right 31.6°	Right 35.3°
	(b)			Left 31.6°	Left 35.3°
For outside corner	(c)			Right 31.6°	Right 35.3°
	(d)				

Table (B)

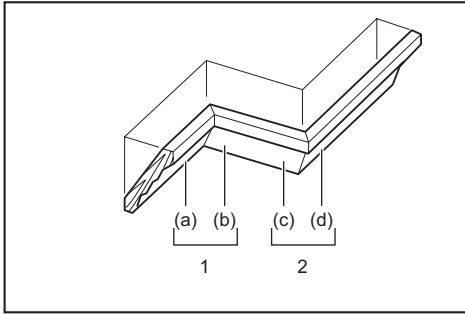
-	Molding position in the figure	Molding edge against guide fence	Finished piece
For inside corner	(a)	Ceiling contact edge should be against guide fence.	Finished piece will be on the Left side of blade.
	(b)	Wall contact edge should be against guide fence.	
For outside corner	(c)	Wall contact edge should be against guide fence.	Finished piece will be on the Right side of blade.
	(d)	Ceiling contact edge should be against guide fence.	

Example:

In the case of cutting 52/38° type crown molding for position (a) in the above figure:

- Tilt and secure bevel angle setting to 33.9° LEFT.
- Adjust and secure miter angle setting to 31.6° RIGHT.
- Lay crown molding with its broad back (hidden) surface down on the turn base with its CEILING CONTACT EDGE against the guide fence on the saw.
- The finished piece to be used will always be on the LEFT side of the blade after the cut has been made.

In the case of right bevel cut



1. Inside corner 2. Outside corner

Table (A)

–	Molding position in the figure	Bevel angle		Miter angle	
		52/38° type	45° type	52/38° type	45° type
For inside corner	(a)	Right 33.9°	Right 30°	Right 31.6°	Right 35.3°
	(b)			Left 31.6°	Left 35.3°
For outside corner	(c)			Right 31.6°	Right 35.3°
	(d)			Right 31.6°	Right 35.3°

Table (B)

–	Molding position in the figure	Molding edge against guide fence	Finished piece
For inside corner	(a)	Wall contact edge should be against guide fence.	Finished piece will be on the Right side of blade.
	(b)	Ceiling contact edge should be against guide fence.	
For outside corner	(c)	Wall contact edge should be against guide fence.	Finished piece will be on the Left side of blade.
	(d)	Ceiling contact edge should be against guide fence.	

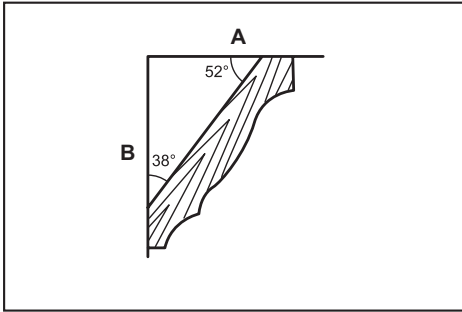
Example:

In the case of cutting 52/38° type crown molding for position (a) in the above figure:

- Tilt and secure bevel angle setting to 33.9° RIGHT.
- Adjust and secure miter angle setting to 31.6° RIGHT.
- Lay crown molding with its broad back (hidden) surface down on the turn base with its WALL CONTACT EDGE against the guide fence on the saw.
- The finished piece to be used will always be on the RIGHT side of the blade after the cut has been made.

Miter and Bevel Angle Settings

Wall to Crown Molding Angle: 52°/38°



1	2	3
60	43.0	46.8
61	42.8	46.3
62	42.5	45.7
63	42.2	45.1
64	41.9	44.6
65	41.7	44.0
66	41.4	43.5
67	41.1	42.9
68	40.8	42.4
69	40.5	41.9
70	40.2	41.3
71	39.9	40.8
72	39.6	40.3
73	39.3	39.8
74	39.0	39.2
75	38.7	38.7
76	38.4	38.2
77	38.1	37.7
78	37.8	37.2
79	37.4	36.8
80	37.1	36.3
81	36.8	35.8
82	36.5	35.3
83	36.2	34.8
84	35.8	34.4
85	35.5	33.9
86	35.2	33.4
87	34.9	33.0
88	34.5	32.5
89	34.2	32.1
90	33.9	31.6
91	33.5	31.2
92	33.2	30.7
93	32.8	30.3
94	32.5	29.9
95	32.2	29.4
96	31.8	29.0
97	31.5	28.6
98	31.1	28.2
99	30.8	27.7
100	30.4	27.3

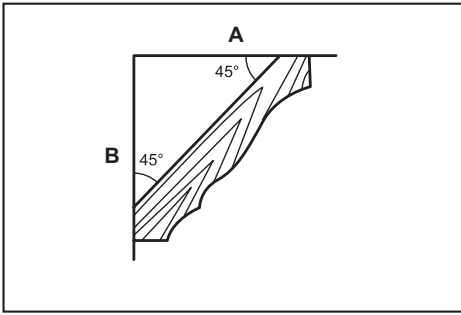
1	2	3
101	30.1	26.9
102	29.7	26.5
103	29.4	26.1
104	29.0	25.7
105	28.7	25.3
106	28.3	24.9
107	28.0	24.5
108	27.6	24.1
109	27.2	23.7
110	26.9	23.3
111	26.5	22.9
112	26.1	22.6
113	25.8	22.2
114	25.4	21.8
115	25.0	21.4
116	24.7	21.0
117	24.3	20.7
118	23.9	20.3
119	23.6	19.9
120	23.2	19.6
121	22.8	19.2
122	22.5	18.8
123	22.1	18.5
124	21.7	18.1
125	21.3	17.8
126	21.0	17.4
127	20.6	17.1
128	20.2	16.7
129	19.8	16.4
130	19.5	16.0
131	19.1	15.7
132	18.7	15.3
133	18.3	15.0
134	17.9	14.6
135	17.6	14.3
136	17.2	14.0
137	16.8	13.6
138	16.4	13.3
139	16.0	13.0
140	15.6	12.8

1	2	3
141	15.3	12.3
142	14.9	12.0
143	14.5	11.6
144	14.1	11.3
145	13.7	11.0
146	13.3	10.7
147	12.9	10.3
148	12.5	10.0
149	12.2	9.7
150	11.8	9.4
151	11.4	9.0
152	11.0	8.7
153	10.8	8.4
154	10.2	8.1
155	9.8	7.8
156	9.4	7.5
157	9.0	7.1
158	8.6	6.8
159	8.3	6.5
160	7.9	6.2
161	7.5	5.9
162	7.1	5.6
163	6.7	5.3
164	6.3	4.9
165	5.9	4.6
166	5.5	4.3
167	5.1	4.0
168	4.7	3.7
169	4.3	3.4
170	3.9	3.1
171	3.5	2.8
172	3.2	2.5
173	2.8	2.2
174	2.4	1.8
175	2.0	1.5
176	1.6	1.2
177	1.2	0.9
178	0.8	0.6
179	0.4	0.3
180	0.0	0.0

A Ceiling side B Wall side

1. Wall Angle (deg.) 2. Bevel Angle (deg.) 3. Miter Angle (deg.)

Wall to Crown Molding Angle: 45°



	1	2	3
60	37.8	50.8	
61	37.5	50.2	
62	37.3	49.6	
63	37.1	49.1	
64	36.8	48.5	
65	36.6	48.0	
66	36.4	47.4	
67	36.1	46.9	
68	35.9	46.4	
69	35.6	45.8	
70	35.4	45.3	
71	35.1	44.8	
72	34.9	44.2	
73	34.6	43.7	
74	34.4	43.2	
75	34.1	42.7	
76	33.9	42.1	
77	33.6	41.6	
78	33.3	41.1	
79	33.1	40.6	
80	32.8	40.1	
81	32.5	39.6	
82	32.3	39.1	
83	32.0	38.6	
84	31.7	38.1	
85	31.4	37.7	
86	31.1	37.2	
87	30.9	36.7	
88	30.6	36.2	
89	30.3	35.7	
90	30.0	35.3	
91	29.7	34.8	
92	29.4	34.3	
93	29.1	33.9	
94	28.8	33.4	
95	28.5	32.9	
96	28.2	32.5	
97	27.9	32.0	
98	27.6	31.6	
99	27.3	31.1	
100	27.0	30.7	

	1	2	3
101	26.7	30.2	
102	26.4	29.8	
103	26.1	29.4	
104	25.8	28.9	
105	25.5	28.5	
106	25.2	28.1	
107	24.9	27.6	
108	24.6	27.2	
109	24.2	26.8	
110	23.9	26.3	
111	23.6	25.9	
112	23.3	25.5	
113	23.0	25.1	
114	22.7	24.7	
115	22.3	24.3	
116	22.0	23.8	
117	21.7	23.4	
118	21.4	23.0	
119	21.0	22.6	
120	20.7	22.2	
121	20.4	21.8	
122	20.0	21.4	
123	19.7	21.0	
124	19.4	20.6	
125	19.1	20.2	
126	18.7	19.8	
127	18.4	19.4	
128	18.1	19.0	
129	17.7	18.6	
130	17.4	18.2	
131	17.1	17.9	
132	16.7	17.5	
133	16.4	17.1	
134	16.0	16.7	
135	15.7	16.3	
136	15.4	15.9	
137	15.0	15.6	
138	14.7	15.2	
139	14.3	14.8	
140	14.0	14.4	

	1	2	3
141	13.7	14.1	
142	13.3	13.7	
143	13.0	13.3	
144	12.6	12.9	
145	12.3	12.6	
146	11.9	12.2	
147	11.6	11.8	
148	11.2	11.5	
149	10.9	11.1	
150	10.5	10.7	
151	10.2	10.4	
152	9.8	10.0	
153	9.5	9.6	
154	9.2	9.3	
155	8.8	8.9	
156	8.5	8.5	
157	8.1	8.2	
158	7.8	7.8	
159	7.4	7.5	
160	7.1	7.1	
161	6.7	6.7	
162	6.4	6.4	
163	6.0	6.0	
164	5.6	5.7	
165	5.3	5.3	
166	4.9	5.0	
167	4.6	4.6	
168	4.2	4.3	
169	3.9	3.9	
170	3.5	3.5	
171	3.2	3.2	
172	2.8	2.8	
173	2.5	2.5	
174	2.1	2.1	
175	1.8	1.8	
176	1.4	1.4	
177	1.1	1.1	
178	0.7	0.7	
179	0.4	0.4	
180	0.0	0.0	

A Ceiling side B Wall side

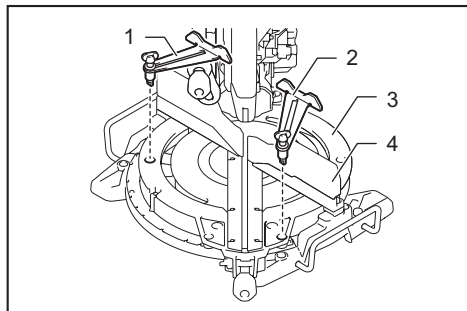
1. Wall Angle (deg.) 2. Bevel Angle (deg.) 3. Miter Angle (deg.)

Crown molding stopper

Optional accessory

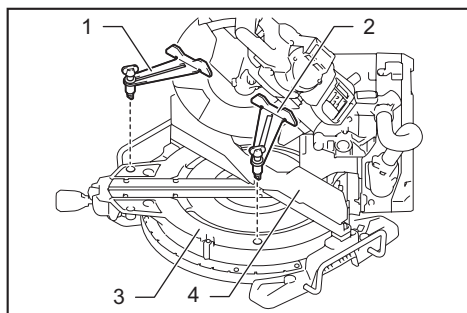
Crown molding stoppers allow easier cuts of crown molding without tilting the saw blade. Install them on the turn base as shown in the figures.

At right 45° miter angle



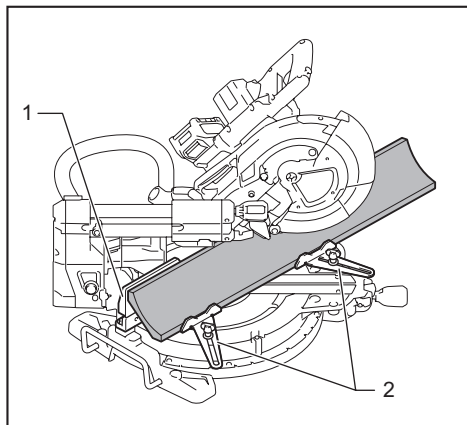
- 1. Crown molding stopper L 2. Crown molding stopper R 3. Turn base 4. Guide fence

At left 45° miter angle

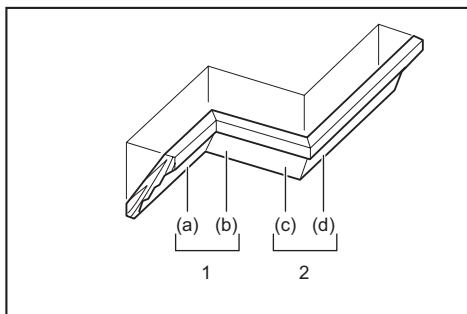


- 1. Crown molding stopper L 2. Crown molding stopper R 3. Turn base 4. Guide fence

Position crown molding with its WALL CONTACT EDGE against the guide fence and its CEILING CONTACT EDGE against the crown molding stoppers as shown in the figure. Adjust the crown molding stoppers according to the size of the crown molding. Tighten the screws to secure the crown molding stoppers. Refer to the table (C) for the miter angle.



- 1. Guide fence 2. Crown molding stopper

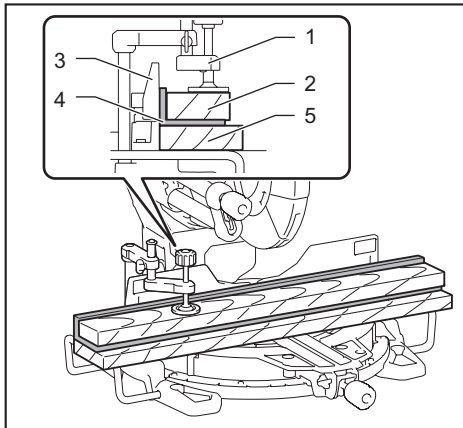


1. Inside corner 2. Outside corner

Table (C)

–	Molding position in the figure	Miter angle	Finished piece
For inside corner	(a)	Right 45°	Save the right side of blade
	(b)	Left 45°	Save the left side of blade
For outside corner	(c)	Right 45°	Save the right side of blade
	(d)		Save the left side of blade

Cutting aluminum extrusion



- 1. Vise 2. Spacer block 3. Guide fence 4. Aluminum extrusion 5. Spacer block

When securing aluminum extrusions, use spacer blocks or pieces of scrap as shown in the figure to prevent deformation of the aluminum. Use a cutting lubricant when cutting the aluminum extrusion to prevent build-up of the aluminum material on the circular saw blade.

⚠ WARNING: Never attempt to cut thick or round aluminum extrusions. Thick or round aluminum extrusions can be difficult to secure and the work may loosen during the cutting operation which may result in loss of control and serious personal injury.

Groove cutting

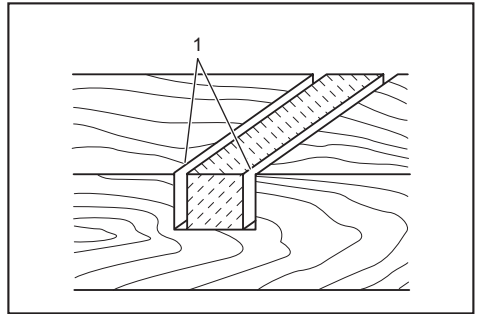
⚠ WARNING: Do not attempt to perform this type of cut by using a wider type blade or dado blade. Attempting to make a groove cut with a wider blade or dado blade could lead to unexpected cutting results and kickback which may result in serious personal injury.

⚠ WARNING: Be sure to return the stopper arm to the original position when performing other than groove cutting. Attempting to make cuts with the stopper arm in the incorrect position could lead to unexpected cutting results and kickback which may result in serious personal injury.

For a dado type cut, perform as follows:

1. Adjust the lower limit position of the circular saw blade using the adjusting screw and the stopper arm to limit the cutting depth of the circular saw blade. Refer to the section for stopper arm.

2. After adjusting the lower limit position of the circular saw blade, cut parallel grooves across the width of the workpiece using a slide (push) cut.



- 1. Cut grooves with blade

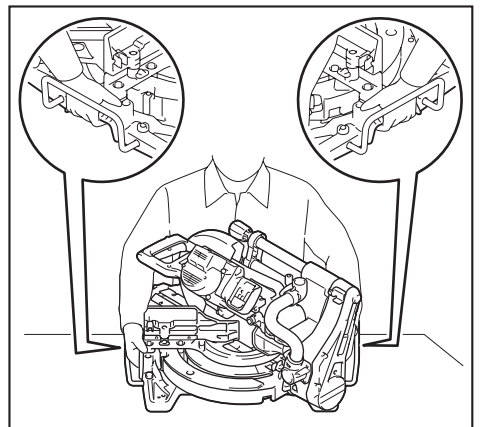
3. Remove the workpiece material between the grooves with a chisel.

Carrying tool

Before carrying the tool, be sure to remove the battery cartridge and all movable parts of the miter saw are secured. Always check the following:

- The battery cartridge is removed.
- The carriage is at 0° bevel angle position and secured.
- The carriage is lowered and locked.
- The carriage is fully slid to the guide fences and locked.
- The turn base is at the full right miter angle position and secured.
- The holders are stored and secured.

Carry the tool by holding both sides of the tool base.



⚠ WARNING: Stopper pin for carriage elevation is for carrying and storage purposes only and not for any cutting operations. The use of the stopper pin for cutting operations may cause unexpected movement of the circular saw blade resulting in kickback and serious personal injury.

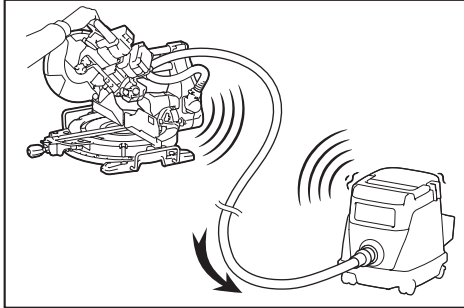
CAUTION: Always secure all moving portions before carrying the tool. If portions of the tool move or slide while being carried, loss of control or balance may occur and result in personal injury.

CAUTION: Be sure that the carriage elevation is properly locked at its bottom by the stopper pin. If the stopper pin is not engaged properly, the carriage may jump up suddenly and cause personal injury.

WIRELESS ACTIVATION FUNCTION

What you can do with the wireless activation function

The wireless activation function enables clean and comfortable operation. By connecting a supported vacuum cleaner to the tool, you can run the vacuum cleaner automatically along with the switch operation of the tool.



To use the wireless activation function, prepare following items:

- A wireless unit (optional accessory)
- A vacuum cleaner which supports the wireless activation function

The overview of the wireless activation function setting is as follows. Refer to each section for detail procedures.

1. Installing the wireless unit
2. Tool registration for the vacuum cleaner
3. Starting the wireless activation function

Installing the wireless unit

Optional accessory

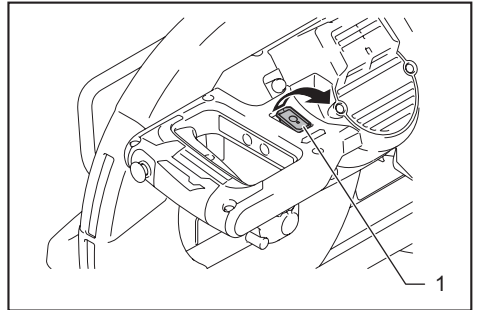
CAUTION: Place the tool on a flat and stable surface when installing the wireless unit.

NOTICE: Clean the dust and dirt on the tool before installing the wireless unit. Dust or dirt may cause malfunction if it comes into the slot of the wireless unit.

NOTICE: To prevent the malfunction caused by static, touch a static discharging material, such as a metal part of the tool, before picking up the wireless unit.

NOTICE: When installing the wireless unit, always be sure that the wireless unit is inserted in the correct direction and the lid is completely closed.

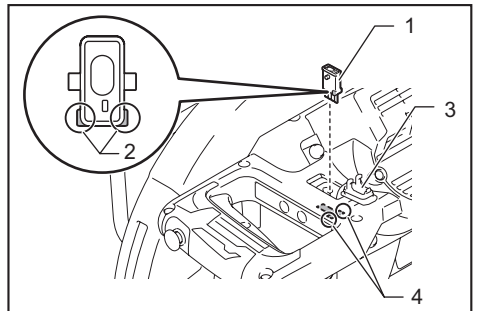
1. Open the lid on the tool as shown in the figure.



- 1. Lid

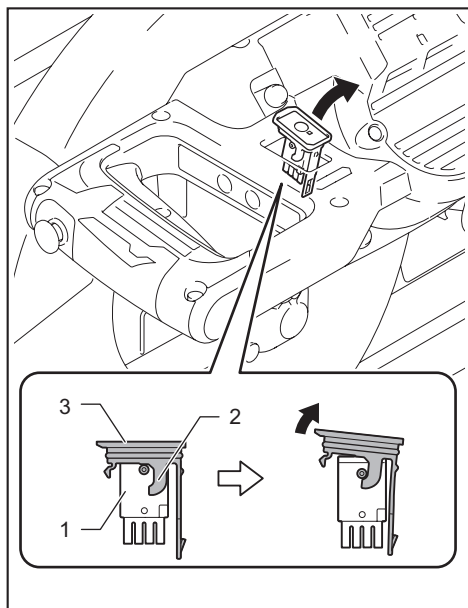
2. Insert the wireless unit to the slot and then close the lid.

When inserting the wireless unit, align the projections with the recessed portions on the slot.



- 1. Wireless unit 2. Projection 3. Lid 4. Recessed portion

When removing the wireless unit, open the lid slowly. The hooks on the back of the lid will lift the wireless unit as you pull up the lid.



► 1. Wireless unit 2. Hook 3. Lid

After removing the wireless unit, keep it in the supplied case or a static-free container.

NOTICE: Always use the hooks on the back of the lid when removing the wireless unit. If the hooks do not catch the wireless unit, close the lid completely and open it slowly again.

Tool registration for the vacuum cleaner

NOTE: A Makita vacuum cleaner supporting the wireless activation function is required for the tool registration.

NOTE: Finish installing the wireless unit to the tool before starting the tool registration.

NOTE: Avoid turning the following switches on during tool registration:

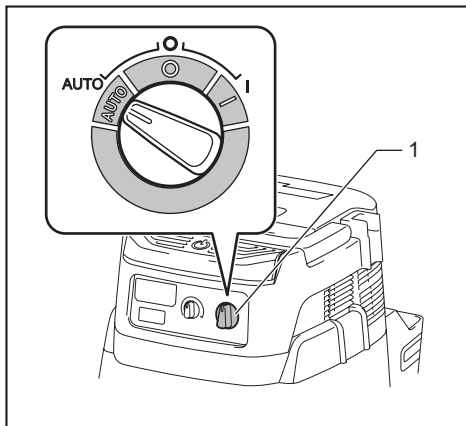
- switch trigger on the tool
- vacuum switch on the tool
- power switch on the vacuum cleaner

NOTE: Refer to the instruction manual of the vacuum cleaner, too.

If you wish to activate the vacuum cleaner along with the switch operation of the tool, finish the tool registration beforehand.

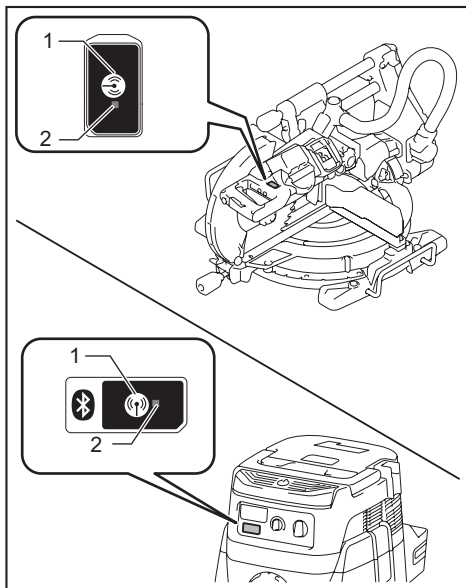
1. Install the batteries to the vacuum cleaner and the tool.

2. Set the stand-by switch on the vacuum cleaner to "AUTO".



► 1. Stand-by switch

3. Press the wireless activation button on the vacuum cleaner for 3 seconds until the wireless activation lamp blinks in green. And then press the wireless activation button on the tool in the same way.



► 1. Wireless activation button 2. Wireless activation lamp

If the vacuum cleaner and the tool are linked successfully, the wireless activation lamps will light up in green for 2 seconds and start blinking in blue.

NOTE: The wireless activation lamps finish blinking in green after 20 seconds elapsed. Press the wireless activation button on the tool while the wireless activation lamp on the cleaner is blinking. If the wireless activation lamp does not blink in green, push the wireless activation button briefly and hold it down again.

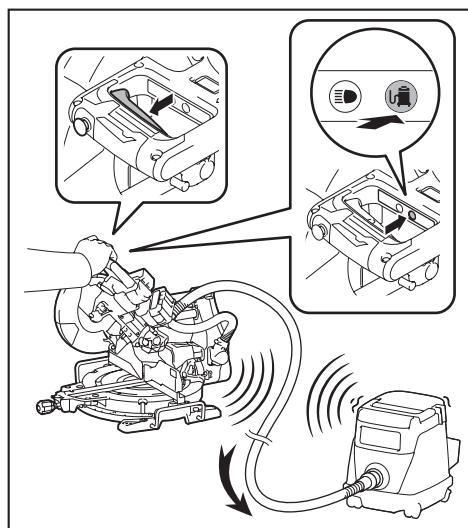
NOTE: When performing two or more tool registrations for one vacuum cleaner, finish the tool registration one by one.

Starting the wireless activation function

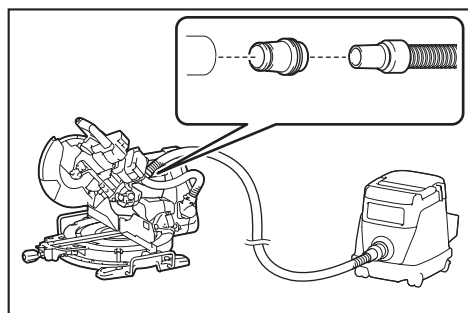
NOTE: Finish the tool registration for the vacuum cleaner prior to the wireless activation.

NOTE: Refer to the instruction manual of the vacuum cleaner, too.

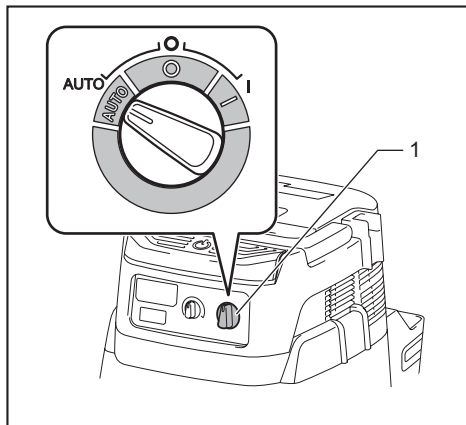
After registering a tool to the vacuum cleaner, the vacuum cleaner will automatically runs along with the switch operation of the tool. Pull the switch trigger on the tool to function the vacuum cleaner during operation. The vacuum cleaner also starts to function by pressing the vacuum button on the tool out of any cutting operation.



1. Install the wireless unit to the tool.
2. Connect the hose of the vacuum cleaner with the tool.

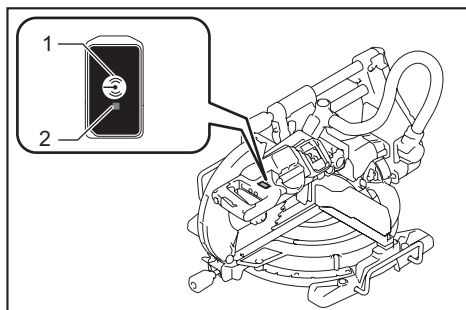


3. Set the stand-by switch on the vacuum cleaner to "AUTO".



- 1. Stand-by switch

4. Push the wireless activation button on the tool briefly. The wireless activation lamp will blink in blue.



- 1. Wireless activation button 2. Wireless activation lamp

5. Pull the switch trigger of the tool. Check if the vacuum cleaner runs while the switch trigger is being pulled.

6. Press the vacuum button to function the vacuum cleaner. Check if the wireless activation lamp lights up in blue and the cleaner keeps running until you press the button again.

7. To cease vacuum operation, either release the switch trigger or press the vacuum button again. The vacuum cleaner stops running a few seconds after the switch operation, and then the lamp turns to blink in blue.

NOTE: Switch status (turning the cleaner on/off) can be learned in the wireless activation lamp. For details, refer to the section for description of the wireless activation lamp status.

8. To stop the wireless activation of the vacuum cleaner, push the wireless activation button on the tool.

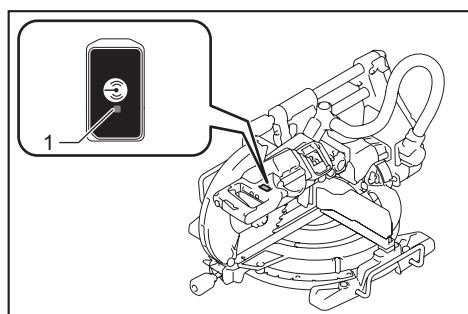
NOTE: The wireless activation lamp on the tool will stop blinking in blue when there is no operation for 2 hours. In this case, set the stand-by switch on the vacuum cleaner to "AUTO" and push the wireless activation button on the tool again.

NOTE: The vacuum cleaner starts/stops with a delay. There is a time lag when the vacuum cleaner detects a switch operation of the tool.

NOTE: The transmission distance of the wireless unit may vary depending on the location and surrounding circumstances.

NOTE: When two or more tools are registered to one vacuum cleaner, the vacuum cleaner may start running even if you do not pull the switch trigger or turn on the vacuum button because another user is using the wireless activation function.

Description of the wireless activation lamp status



► 1. Wireless activation lamp

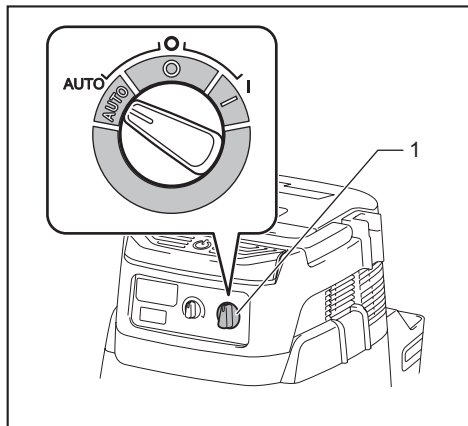
The wireless activation lamp shows the status of the wireless activation function. Refer to the table below for the meaning of the lamp status.

Status	Wireless activation lamp				Description
	Color	■ On	▣ Blinking	Duration	
Standby	Blue		▣	2 hours	The wireless activation of the vacuum cleaner is available. The lamp will automatically turn off when no operation is performed for 2 hours.
		■		When the tool is running.	The wireless activation of the vacuum cleaner is available and the tool is running.
Tool registration	Green		▣	20 seconds	Ready for the tool registration. Waiting for the registration by the vacuum cleaner.
		■		2 seconds	The tool registration has been finished. The wireless activation lamp will start blinking in blue.
Cancelling tool registration	Red		▣	20 seconds	Ready for the cancellation of the tool registration. Waiting for the cancellation by the vacuum cleaner.
		■		2 seconds	The cancellation of the tool registration has been finished. The wireless activation lamp will start blinking in blue.
Others	Red	■		3 seconds	The power is supplied to the wireless unit and the wireless activation function is starting up.
	Off	-		-	The wireless activation of the vacuum cleaner is stopped.

Cancelling tool registration for the vacuum cleaner

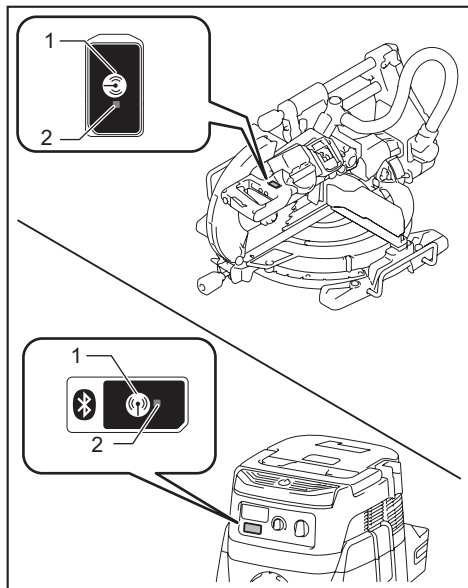
Perform the following procedure when cancelling the tool registration for the vacuum cleaner.

1. Install the batteries to the vacuum cleaner and the tool.
2. Set the stand-by switch on the vacuum cleaner to "AUTO".



► 1. Stand-by switch

3. Press the wireless activation button on the vacuum cleaner for 6 seconds. The wireless activation lamp blinks in green and then become red. After that, press the wireless activation button on the tool in the same way.



► 1. Wireless activation button 2. Wireless activation lamp

If the cancellation is performed successfully, the wireless activation lamps will light up in red for 2 seconds and start blinking in blue.

NOTE: The wireless activation lamps finish blinking in red after 20 seconds elapsed. Press the wireless activation button on the tool while the wireless activation lamp on the cleaner is blinking. If the wireless activation lamp does not blink in red, push the wireless activation button briefly and hold it down again.

Troubleshooting for wireless activation function

Before asking for repairs, conduct your own inspection first. If you find a problem that is not explained in the manual, do not attempt to dismantle the tool. Instead, ask Makita Authorized Service Centers, always using Makita replacement parts for repairs.

State of abnormality	Probable cause (malfunction)	Remedy
The wireless activation lamp does not light/blink.	The wireless unit is not installed into the tool. The wireless unit is improperly installed into the tool.	Install the wireless unit correctly.
	The terminal of the wireless unit and/or the slot is dirty.	Gently wipe off dust and dirt on the terminal of the wireless unit and clean the slot.
	The wireless activation button on the tool has not been pushed.	Push the wireless activation button on the tool briefly.
	The stand-by switch on the vacuum cleaner is not set to "AUTO".	Set the stand-by switch on the vacuum cleaner to "AUTO".
	No power supply	Supply the power to the tool and the vacuum cleaner.
Cannot finish tool registration / cancelling tool registration successfully.	The wireless unit is not installed into the tool. The wireless unit is improperly installed into the tool.	Install the wireless unit correctly.
	The terminal of the wireless unit and/or the slot is dirty.	Gently wipe off dust and dirt on the terminal of the wireless unit and clean the slot.
	The stand-by switch on the vacuum cleaner is not set to "AUTO".	Set the stand-by switch on the vacuum cleaner to "AUTO".
	No power supply	Supply the power to the tool and the vacuum cleaner.
	Incorrect operation	Push the wireless activation button briefly and perform the tool registration/cancellation procedures again.
	The tool and vacuum cleaner are away from each other (out of the transmission range).	Get the tool and vacuum cleaner closer to each other. The maximum transmission distance is approximately 10 m however it may vary according to the circumstances.
	Before finishing the tool registration/cancellation; - the switch trigger on the tool is pulled or; - the vacuuming button on the tool is turned on or; - the power button on the vacuum cleaner is turned on.	Push the wireless activation button briefly and perform the tool registration/cancellation procedures again.
	The tool registration procedures for the tool or vacuum cleaner have not finished.	Perform the tool registration procedures for both the tool and the vacuum cleaner at the same timing.
	Radio disturbance by other appliances which generate high-intensity radio waves.	Keep the tool and vacuum cleaner away from the appliances such as Wi-Fi devices and microwave ovens.
The vacuum cleaner does not run along with the switch operation of the tool.	The wireless unit is not installed into the tool. The wireless unit is improperly installed into the tool.	Install the wireless unit correctly.
	The terminal of the wireless unit and/or the slot is dirty.	Gently wipe off dust and dirt on the terminal of the wireless unit and clean the slot.
	The wireless activation button on the tool has not been pushed.	Push the wireless activation button briefly and make sure that the wireless activation lamp is blinking in blue.
	The stand-by switch on the vacuum cleaner is not set to "AUTO".	Set the stand-by switch on the vacuum cleaner to "AUTO".
	More than 10 tools are registered to the vacuum cleaner.	Perform the tool registration again. If more than 10 tools are registered to the vacuum cleaner, the tool registered earliest will be cancelled automatically.
	The vacuum cleaner has failed to register tools successfully.	Renew tool registrations.
	The vacuum cleaner erased all tool registrations.	Perform the tool registration again.
	No power supply	Supply the power to the tool and the vacuum cleaner.
	The tool and vacuum cleaner are away from each other (out of the transmission range).	Get the tool and vacuum cleaner closer each other. The maximum transmission distance is approximately 10 m however it may vary according to the circumstances.
Radio disturbance by other appliances which generate high-intensity radio waves.	Keep the tool and vacuum cleaner away from the appliances such as Wi-Fi devices and microwave ovens.	
The vacuum cleaner runs while no switches for the tool are in operation.	Other users are using the wireless activation of the vacuum cleaner with their tools. Turn off the wireless activation button of the other tools or cancel the tool registration of the other tools.	

MAINTENANCE

⚠ WARNING: Always be sure that the tool is switched off and the battery cartridge is removed before attempting to perform inspection or maintenance. Failure to removing the battery cartridge and switch off the tool may result in accidental start up of the tool which may result in serious personal injury.

⚠ WARNING: Always be sure that the circular saw blade is sharp and clean for the best and safest performance. Attempting a cut with a dull and /or dirty blade may cause kickback and result in a serious personal injury.

⚠ CAUTION: Always be sure that the blade guard is being closed in the original position before attempting to perform inspection or maintenance. Never clamp or tie the blade guard into the open position during cleaning operations. An exposed blade may result in personal injury.

NOTICE: Never use gasoline, benzine, thinner, alcohol or the like. Discoloration, deformation or cracks may result.

To maintain product SAFETY and RELIABILITY, repairs, any other maintenance or adjustment should be performed by Makita Authorized or Factory Service Centers, always using Makita replacement parts.

Adjusting the cutting angle

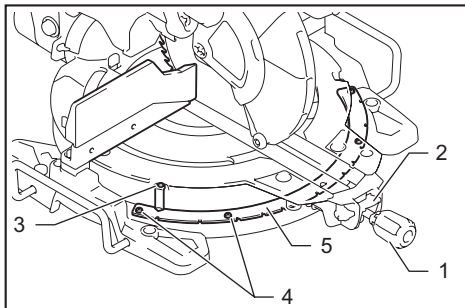
This tool is carefully adjusted and aligned at the factory, but rough handling may have affected the alignment. If your tool is not aligned properly, perform the following:

Miter angle

Lower the handle fully and lock it in the lowered position with the stopper pin. Push the carriage towards the guide fence.

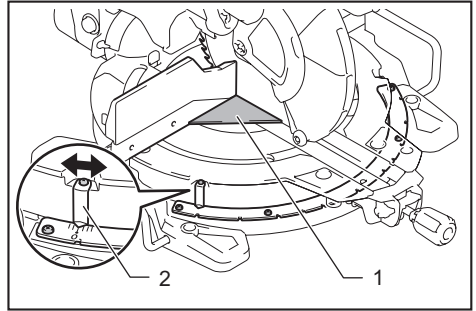
Rotate the grip counterclockwise and have the turn base ready for the positive stop function using the lock lever.

Then loosen the screws which secure the pointer and miter angle scale.



▶ 1. Grip 2. Lock lever 3. Screw on pointer 4. Screws on miter angle scale 5. Miter angle scale

Set the turn base to the 0° position using the positive stop function. Square the side of the circular saw blade with the face of the guide fence using a triangular rule or try-square. While keeping the square, tighten the screws on the miter angle scale. After that, align the pointers (both right and left) with the 0° position in the miter angle scale and then tighten the screw on the pointer.

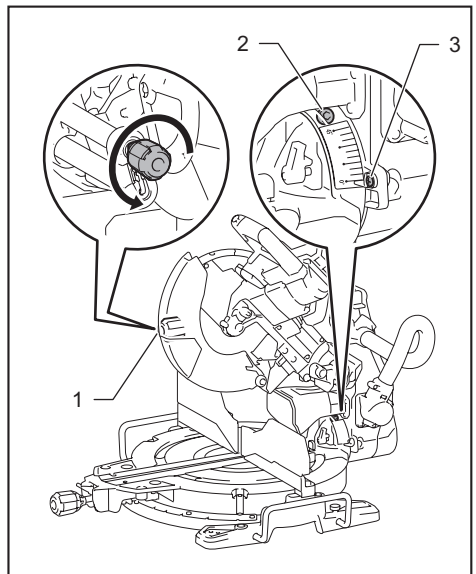


▶ 1. Triangular rule 2. Pointer

Bevel angle

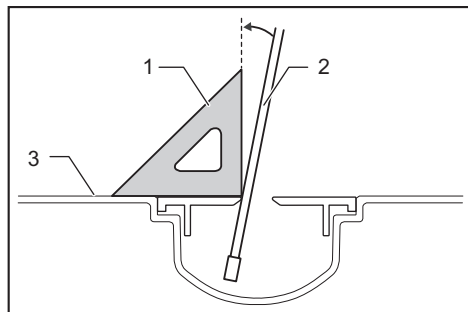
0° bevel angle

Push the carriage towards the guide fences and lock the sliding movement with the stopper pin. Lower the carriage fully and lock it in the lowered position with the stopper pin. Rotate the knob counterclockwise, and then turn the 0° adjusting bolt through two or three revolutions counterclockwise to tilt the circular saw blade to the right.



▶ 1. Knob 2. 0° Adjusting bolt 3. Screw on the pointer

Carefully square the side of the circular saw blade with the top surface of the turn base using the triangular rule, try-square, etc. by turning the 0° adjusting bolt clockwise. Then tighten the knob firmly to secure the 0° angle you have set.



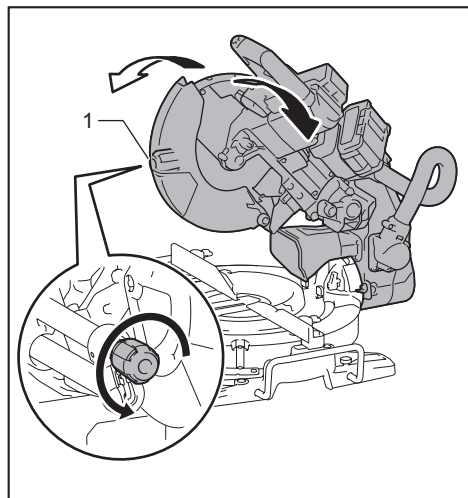
- 1. Triangular rule 2. Saw blade 3. Top surface of turn base

Check if the side of the circular saw blade squares with the turn base surface once again. Loosen the screw on the pointer. Align the pointer with 0° position in the bevel angle scale and then tighten the screw.

45° bevel angle

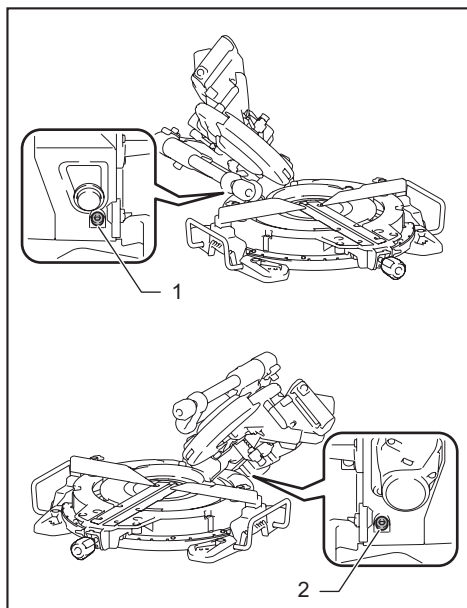
NOTICE: Before adjusting the 45° bevel angle, finish 0° bevel angle adjustment.

Loosen the knob and fully tilt the carriage to the side that you want to check. Check if the pointer indicates the 45° position in the bevel angle scale.



- 1. Knob

If the pointer does not indicate the 45° position, align it with the 45° position by turning the adjusting bolt in the bevel angle scale on the opposite side of the base.



- 1. Left 45° adjusting bolt 2. Right 45° adjusting bolt

Cleaning lamp lens

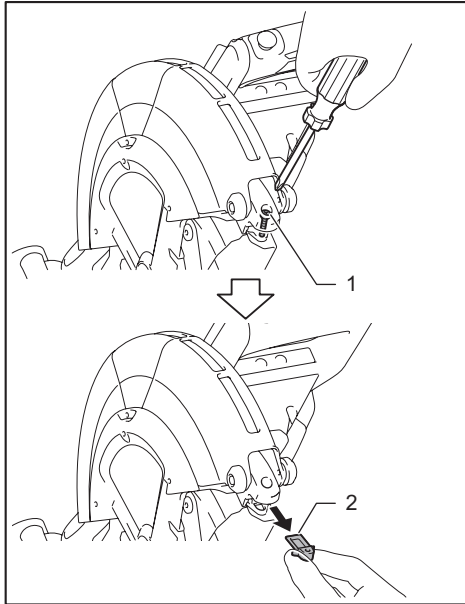
CAUTION: Always remove the circular saw blade before cleaning the lamp lens.

NOTICE: Do not remove the screw which secures the lens. If the lens does not come out, loosen the screw further.

NOTICE: Use a dry cloth to wipe the dirt off the lens of the lamp. Be careful not to scratch the lens of lamp, or it may lower the illumination.

NOTICE: Do not use solvents or any petroleum-based cleaners on the lens.

The LED light becomes hard to see as the lens for the light gets dirty. Clean the lens at regular intervals. Remove the battery cartridge. Loosen the screw and pull out the lens. Clean the lens gently with a damp soft cloth.



► 1. Screw 2. Lens

- Dust bag
- Triangular rule
- Hex wrench
- Wireless unit
- Stand set
- Sub base
- Makita genuine battery and charger

NOTE: Some items in the list may be included in the tool package as standard accessories. They may differ from country to country.

MAKITA LIMITED WARRANTY

Please refer to the annexed warranty sheet for the most current warranty terms applicable to this product. If annexed warranty sheet is not available, refer to the warranty details set forth at below website for your respective country.

United States of America: www.makitatools.com
Canada: www.makita.ca
Other countries: www.makita.com

After use

After use, wipe off chips and dust adhering to the tool with a cloth or the like. Keep the blade guard clean according to the directions in the previously covered section titled "Blade guard". Lubricate the sliding portions with machine oil to prevent rust.

OPTIONAL ACCESSORIES

⚠WARNING: These Makita accessories or attachments are recommended for use with your Makita tool specified in this manual. The use of any other accessories or attachments may result in serious personal injury.

⚠WARNING: Only use the Makita accessory or attachment for its stated purpose. Misuse of an accessory or attachment may result in serious personal injury.

If you need any assistance for more details regarding these accessories, ask your local Makita Service Center.

- Carbide-tipped saw blades
- Vertical vise
- Horizontal vise
- Crown molding stopper set

ESPECIFICACIONES

Modelo:	GSL03
Diámetro del disco	255 mm (10")
Diámetro del orificio	15,88 mm (5/8")
Ancho de corte máx. del disco de la sierra	3,2 mm (1/8")
Ángulo de inglete máximo	Derecho 60°, izquierdo 60°
Ángulo de bisel máximo	Derecho 48°, izquierdo 48°
Velocidad sin carga (r.p.m.)	3 600 r/min
Dimensiones (La x An x Al)	805 mm x 644 mm x 660 mm (31-3/4" x 25-3/8" x 26")
Tensión nominal	36 V - 40 V c.c. máx.
Peso neto	26,6 kg - 27,2 kg (58,6 lbs - 60,0 lbs)

Capacidades de corte (Al x An)

Ángulo de inglete	Ángulo de bisel		
	45° (izquierdo)	0°	45° (derecho)
0°	47 mm x 305 mm (1-7/8" x 12") 61 mm x 279 mm (2-3/8" x 11")	71 mm x 305 mm (2-13/16" x 12") 91 mm x 279 mm (3-5/8" x 11")	29 mm x 305 mm (1-1/8" x 12") 43 mm x 279 mm (1-11/16" x 11")
45° (derecho e izquierdo)	47 mm x 215 mm (1-7/8" x 8-1/2") 61 mm x 197 mm (2-3/8" x 7-3/4")	71 mm x 215 mm (2-13/16" x 8-1/2") 91 mm x 197 mm (3-5/8" x 7-3/4")	29 mm x 215 mm (1-1/8" x 8-1/2") 43 mm x 197 mm (1-11/16" x 7-3/4")
60° (derecho e izquierdo)	-	71 mm x 152 mm (2-13/16" x 6") 91 mm x 139 mm (3-5/8" x 5-1/2")	-

Capacidades de corte especiales

Tipo de corte	Capacidad de corte
Moldura tipo corona de 45° (usando el tope para moldura de corona)	168 mm (6-5/8")
Zócalo (usando la prensa horizontal)	133 mm (5-1/4")

- Debido a nuestro continuo programa de investigación y desarrollo, las especificaciones aquí incluidas están sujetas a cambio sin previo aviso.
- Las especificaciones pueden variar de país a país.
- El peso puede variar en función de los accesorios, incluido el cartucho de batería. En la tabla se muestra la combinación de peso más ligero y más pesado conforme al procedimiento 01/2014 de EPTA.

Cartucho de batería y cargador aplicables

Cartucho de batería	BL4025 / BL4040* *: Batería recomendada
Cargador	DC40RA

- Algunos de los cartuchos de batería y cargadores enumerados arriba podrían no estar disponibles dependiendo de su área de residencia.

⚠ ADVERTENCIA: Use únicamente los cartuchos de batería y los cargadores indicados arriba. El uso de cualquier otro cartucho de batería y cargador podría ocasionar una lesión y/o un incendio.

ADVERTENCIAS DE SEGURIDAD

Por su propia seguridad lea el manual de instrucciones Antes de utilizar la herramienta. Conserve las instrucciones para referencia en el futuro.

Advertencias generales de seguridad para herramientas eléctricas

⚠ADVERTENCIA: Lea todas las advertencias de seguridad, instrucciones, ilustraciones y especificaciones suministradas con esta herramienta eléctrica. El no seguir todas las instrucciones indicadas a continuación podría ocasionar una descarga eléctrica, incendio y/o lesiones graves.

Conserve todas las advertencias e instrucciones como referencia en el futuro.

En las advertencias, el término "herramienta eléctrica" se refiere a su herramienta eléctrica de funcionamiento con conexión a la red eléctrica (con cableado eléctrico) o herramienta eléctrica de funcionamiento a batería (inalámbrica).

Seguridad en el área de trabajo

1. **Mantenga el área de trabajo limpia y bien iluminada.** Las áreas oscuras o desordenadas son propensas a accidentes.
2. **No utilice las herramientas eléctricas en atmósferas explosivas, tal como en la presencia de líquidos, gases o polvo inflamables.** Las herramientas eléctricas crean chispas que pueden prender fuego al polvo o los humos.
3. **Mantenga a los niños y curiosos alejados mientras utiliza una herramienta eléctrica.** Las distracciones le pueden hacer perder el control.

Seguridad eléctrica

1. **Las clavijas de conexión de las herramientas eléctricas deberán encajar perfectamente en la toma de corriente. No modifique nunca la clavija de conexión de ninguna forma. No utilice ninguna clavija adaptadora con herramientas eléctricas que tengan conexión a tierra (puesta a tierra).** La utilización de clavijas no modificadas y que encajen perfectamente en la toma de corriente reducirá el riesgo de que se produzca una descarga eléctrica.
2. **Evite tocar con el cuerpo superficies conectadas a tierra o puestas a tierra tales como tubos, radiadores, cocinas y refrigeradores.** Si su cuerpo es puesto a tierra o conectado a tierra existirá un mayor riesgo de que sufra una descarga eléctrica.
3. **No exponga las herramientas eléctricas a la lluvia ni a condiciones húmedas.** La entrada de agua en una herramienta eléctrica aumentará el riesgo de que se produzca una descarga eléctrica.

4. **No maltrate el cable. Nunca utilice el cable para transportar, jalar o desconectar la herramienta eléctrica. Mantenga el cable alejado del calor, aceite, objetos cortantes o piezas móviles.** Los cables dañados o enredados aumentan el riesgo de sufrir una descarga eléctrica.
5. **Cuando utilice una herramienta eléctrica en exteriores, utilice un cable de extensión apropiado para uso en exteriores.** La utilización de un cable apropiado para uso en exteriores reducirá el riesgo de que se produzca una descarga eléctrica.
6. **Si no es posible evitar usar una herramienta eléctrica en condiciones húmedas, utilice un alimentador protegido con interruptor de circuito de falla a tierra (ICFT).** El uso de un ICFT reduce el riesgo de descarga eléctrica.
7. **Las herramientas eléctricas pueden producir campos electromagnéticos (CEM) que no son dañinos para el usuario.** Sin embargo, si los usuarios tienen marcapasos y otros dispositivos médicos similares, deberán consultar al fabricante de su dispositivo y/o a su médico antes de operar esta herramienta eléctrica.

Seguridad personal

1. **Manténgase alerta, preste atención a lo que está haciendo y utilice su sentido común cuando opere una herramienta eléctrica. No utilice una herramienta eléctrica cuando esté cansado o bajo la influencia de drogas, alcohol o medicamentos.** Un momento de distracción mientras opera las herramientas eléctricas puede terminar en una lesión grave.
2. **Use equipo de protección personal. Póngase siempre protección para los ojos.** El equipo protector tal como máscara contra el polvo, zapatos de seguridad antiderrapantes, casco rígido y protección para oídos utilizado en las condiciones apropiadas reducirá el riesgo de lesiones.
3. **Impida el encendido accidental. Asegúrese de que el interruptor esté en la posición de apagado antes de conectar a la alimentación eléctrica y/o de colocar el cartucho de batería, así como al levantar o cargar la herramienta.** Cargar las herramientas eléctricas con su dedo en el interruptor o enchufarlas con el interruptor encendido hace que los accidentes sean comunes.
4. **Retire cualquier llave de ajuste o llave de apriete antes de encender la herramienta.** Una llave de ajuste o llave de apriete que haya sido dejada puesta en una parte giratoria de la herramienta eléctrica puede ocasionar alguna lesión.
5. **No utilice la herramienta donde no alcance. Mantenga los pies sobre suelo firme y el equilibrio en todo momento.** Esto permite un mejor control de la herramienta eléctrica en situaciones inesperadas.
6. **Use una vestimenta apropiada. No use ropa suelta ni alhajas. Mantenga el cabello, la ropa y los guantes alejados de las piezas móviles.** Las prendas de vestir holgadas, las alhajas y el cabello largo suelto podrían engancharse en estas piezas móviles.

7. **Si dispone de dispositivos para la conexión de equipos de extracción y recolección de polvo, asegúrese de conectarlos y utilizarlos debidamente.** Hacer uso de la recolección de polvo puede reducir los riesgos relacionados con el polvo.
8. **No permita que la familiaridad adquirida debido al uso frecuente de las herramientas haga que se sienta confiado e ignore los principios de seguridad de las herramientas.** Un descuido podría ocasionar una lesión grave en una fracción de segundo.
9. **Utilice siempre gafas protectoras para proteger sus ojos de lesiones al usar herramientas eléctricas. Las gafas deben cumplir con la Norma ANSI Z87.1 en EUA.**
Es responsabilidad del empleador imponer el uso de equipos protectores de seguridad apropiados a los operadores de la herramienta y demás personas cerca del área de trabajo.
8. **Mantenga los mangos y superficies de asiento secos, limpios y libres de aceite o grasa.** Los mangos y superficies de asiento resbalosos no permiten una manipulación segura ni el control de la herramienta en situaciones inesperadas.
9. **Cuando vaya a utilizar esta herramienta, evite usar guantes de trabajo de tela ya que éstos podrían atorarse.** Si los guantes de trabajo de tela llegan a atorarse en las piezas móviles, esto podría ocasionar lesiones personales.

Uso y cuidado de la herramienta a batería

Mantenimiento y uso de la herramienta eléctrica

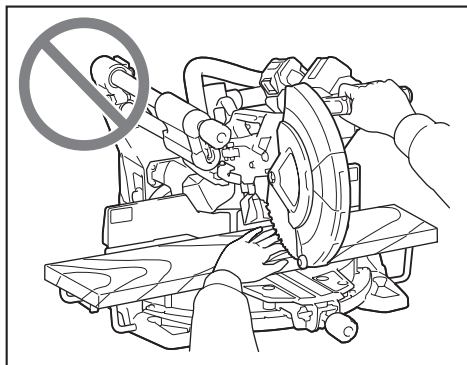
1. **No fuerce la herramienta eléctrica. Utilice la herramienta eléctrica correcta para su aplicación.** La herramienta eléctrica adecuada hará un mejor trabajo y de forma más segura a la velocidad para la que ha sido fabricada.
2. **No utilice la herramienta eléctrica si el interruptor no la enciende y apaga.** Cualquier herramienta eléctrica que no pueda ser controlada con el interruptor es peligrosa y debe ser reemplazada.
3. **Desconecte la clavija de la fuente de alimentación y/o retire la batería de la herramienta eléctrica, en caso de ser removible, antes de realizar ajustes, cambiar accesorios o almacenar las herramientas eléctricas.** Tales medidas de seguridad preventivas reducirán el riesgo de poner en marcha la herramienta eléctrica de forma accidental.
4. **Guarde la herramienta eléctrica que no use fuera del alcance de los niños y no permita que las personas que no están familiarizadas con ella o con las instrucciones la operen.** Las herramientas eléctricas son peligrosas en manos de personas que no saben operarlas.
5. **Dé mantenimiento a las herramientas eléctricas y los accesorios. Compruebe que no haya piezas móviles desalineadas o estancadas, piezas rotas y cualquier otra condición que pueda afectar al funcionamiento de la herramienta eléctrica. Si la herramienta eléctrica está dañada, haga que la reparen antes de utilizarla.** Muchos de los accidentes son ocasionados por no dar un mantenimiento adecuado a las herramientas eléctricas.
6. **Mantenga las herramientas de corte limpias y filosas.** Si recibe un mantenimiento adecuado y tiene los bordes afilados, es probable que la herramienta se atasque menos y sea más fácil controlarla.
7. **Utilice la herramienta eléctrica, los accesorios y las brocas de acuerdo con estas instrucciones, considerando las condiciones laborales y el trabajo a realizar.** Si utiliza la herramienta eléctrica para realizar operaciones distintas de las indicadas, podrá presentarse una situación peligrosa.
1. **Recargue sólo con el cargador especificado por el fabricante.** Un cargador que es adecuado para un solo tipo de batería puede generar riesgo de incendio al ser utilizado con otra batería.
2. **Utilice las herramientas eléctricas solamente con las baterías designadas específicamente para ellas.** La utilización de cualquier otra batería puede crear un riesgo de lesiones o incendio.
3. **Cuando no se esté usando la batería, manténgala alejada de otros objetos metálicos, como sujetapapeles (clips), monedas, llaves, clavos, tornillos u otros objetos pequeños de metal los cuales pueden actuar creando una conexión entre las terminales de la batería.** Originar un cortocircuito en las terminales puede causar quemaduras o incendios.
4. **En condiciones abusivas, podrá escapar líquido de la batería; evite tocarlo. Si lo toca accidentalmente, enjuague con agua. Si hay contacto del líquido con los ojos, busque asistencia médica.** Puede que el líquido expulsado de la batería cause irritación o quemaduras.
5. **No utilice una herramienta ni una batería que estén dañadas o hayan sido modificadas.** Las baterías dañadas o modificadas podrían ocasionar una situación inesperada provocando un incendio, explosión o riesgo de lesiones.
6. **No exponga la herramienta ni la batería al fuego ni a una temperatura excesiva.** La exposición al fuego o a una temperatura superior a los 130 °C podría causar una explosión.
7. **Siga todas las instrucciones para la carga y evite cargar la herramienta o la batería fuera del rango de temperatura especificado en las instrucciones.** Una carga inadecuada o a una temperatura fuera del rango especificado podría dañar la batería e incrementar el riesgo de incendio.

Servicio

1. **Haga que una persona calificada repare la herramienta eléctrica utilizando sólo piezas de repuesto idénticas.** Esto asegura que se mantenga la seguridad de la herramienta eléctrica.
2. **Nunca dé servicio a baterías que estén dañadas.** El servicio a las baterías solamente deberá ser efectuado por el fabricante o un agente de servicio autorizado.
3. **Siga las instrucciones para la lubricación y cambio de accesorios.**
4. **No modifique ni intente reparar el aparato ni el paquete de baterías salvo como se indique en las instrucciones para el uso y cuidado.**

Instrucciones de seguridad para sierras de inglete

1. Las sierras de inglete están diseñadas para cortar madera o productos parecidos a la madera, éstas no pueden utilizarse con ruedas cortadoras abrasivas para cortar materiales ferrosos tales como barras, varillas, montantes, etc. El polvo abrasivo causa que las piezas móviles, tal como el protector inferior, se atasquen. Las chispas del corte abrasivo quemarán el protector inferior, el inserto de corte y otras piezas de plástico.
2. Siempre que sea posible, utilice abrazaderas para sujetar la pieza de trabajo. Si utiliza su mano para sostener la pieza de trabajo, deberá siempre mantenerla a por lo menos 100 mm de distancia de ambos lados del disco de la sierra. No utilice esta sierra para cortar pedazos que sean demasiado pequeños para ser sujetados firmemente con abrazaderas o sostenidos con la mano. El colocar su mano demasiado cerca del disco de la sierra incrementará el riesgo de lesiones a causa del contacto con el disco.
3. La pieza de trabajo deberá estar fija y firmemente sujeta a o sostenida contra la guía y la mesa. No alimente la pieza de trabajo en el disco ni corte "a pulso" de ninguna manera. Las piezas de trabajo que no estén sujetas o se muevan podrían salir disparadas a altas velocidades ocasionando lesiones.
4. Empuje la sierra a través de la pieza de trabajo. No jale la sierra a través de la pieza de trabajo. Para realizar un corte, levante la cabeza de la sierra y júlela hacia afuera sobre la pieza de trabajo sin cortar, ponga en marcha el motor, presione hacia abajo la cabeza de la sierra y empuje la sierra a través de la pieza de trabajo. El cortar durante el trayecto de jalado podría causar que el disco de la sierra saltara por encima de la pieza de trabajo y que el conjunto del disco saliera disparado violentamente hacia el operador.
5. Nunca cruce su mano sobre la línea de corte prevista, ni por delante ni por detrás del disco de la sierra. Nunca sujete la pieza de trabajo con "la mano cruzada", es decir, sosteniendo la pieza de trabajo a la derecha del disco de la sierra con su mano izquierda y viceversa, ya que podría resultar muy peligroso.
6. No acerque las manos por detrás de la guía a más de 100 mm de distancia de ambos lados del disco de la sierra para extraer restos de madera ni por ninguna otra razón mientras el disco esté girando. La proximidad entre el disco de la sierra que está girando y su mano podría no ser obvia y ocasionarle una lesión grave.
7. Inspeccione su pieza de trabajo antes de cortar. Si la pieza de trabajo está doblada o torcida, sujétela con la parte arqueada exterior orientada hacia la guía. Asegúrese siempre de que no haya ningún espacio entre la pieza de trabajo, la guía y la mesa a lo largo de la línea de corte. Las piezas de trabajo dobladas o torcidas podrían voltearse o desplazarse y causar que el disco de la sierra que está girando se atore mientras corta. En la pieza de trabajo no debe haber clavos ni objetos extraños.
8. No utilice la sierra hasta que la mesa haya sido despejada y no haya ninguna herramienta, restos de madera, etc., salvo la pieza de trabajo. Los residuos pequeños o trozos de madera sueltos u otros objetos que estén en contacto con el disco giratorio podrían salir disparados a alta velocidad.
9. Sólo corte una pieza de trabajo a la vez. El tener varias piezas de trabajo apiladas no permite sujetarlas o sostenerlas adecuadamente pudiendo ocasionar que se atoraran en el disco o se desplazaran durante el corte.
10. Asegúrese de que la sierra de inglete esté instalada o colocada sobre una superficie de trabajo nivelada y firme antes de utilizarla. Una superficie de trabajo nivelada y firme reduce el riesgo de que la sierra de inglete se vuelva inestable.
11. Planifique su trabajo. Cada vez que cambie la posición del ángulo de bisel o de inglete, asegúrese de que la guía ajustable esté colocada correctamente para sostener la pieza de trabajo y que no obstaculice el disco o el sistema de protección. Sin encender la herramienta y sin ninguna pieza de trabajo sobre la mesa, desplace el disco de la sierra simulando un corte completo para asegurarse de que no habrá ningún obstáculo ni peligro de cortar la guía.
12. Proporcione un apoyo adecuado, tal como extensiones para la mesa, caballetes de aserrado, etc. para las piezas de trabajo más anchas o largas que la superficie de la mesa. Las piezas de trabajo más largas o anchas que la mesa de la sierra de inglete pueden volcarse si no están bien apoyadas. Si la pieza de corte o la pieza de trabajo llegara a volcarse, ésta podría levantar el protector inferior o ser lanzada por el disco que está girando.
13. No use a otra persona como sustituto de una extensión de la mesa o como apoyo adicional. Un apoyo inestable para la pieza de trabajo podría causar que el disco se atascara o que la pieza de trabajo se desplazara durante la operación de corte jalándolo a usted y a su ayudante hacia el disco que está girando.
14. La pieza de corte no debe atascarse ni ser presionada en ninguna forma contra el disco de la sierra que está girando. Si el espacio es reducido, por ej., al usar topes de longitud, la pieza de corte podría quedar atrapada contra el disco y salir disparada violentamente.



15. **Utilice siempre una abrazadera o algún accesorio diseñado para apoyar adecuadamente materiales redondos tales como varillas o tubos.** Las varillas tienden a rodar mientras se cortan, causando que el disco se “enganche” y jale la pieza de trabajo y su mano hacia el mismo.
16. **Permita que el disco alcance su velocidad completa antes de que entre en contacto con la pieza de trabajo.** Esto reducirá el riesgo de que la pieza de trabajo salga disparada.
17. **Si la pieza de trabajo o el disco llega a atascarse, apague la sierra de inglete.** Espere a que todas las piezas móviles se detengan y desconecte la clavija de la fuente de alimentación y/o retire la batería. Luego proceda a liberar el material atascado. El continuar cortando con una pieza de trabajo atascada podría ocasionar la pérdida de control o causar daños a la sierra de inglete.
18. **Una vez completado el corte, suelte el interruptor, sujete la sierra con la cabeza hacia abajo y espere a que el disco se detenga antes de retirar la pieza de corte.** El acercar su mano al disco mientras éste sigue girando por inercia es peligroso.
19. **Sujete la empuñadura firmemente cuando realice un corte incompleto o cuando suelte el interruptor antes de haber colocado totalmente hacia abajo la cabeza de la sierra.** La acción de frenado de la sierra podría causar que la cabeza de la sierra sea repentinamente jalada hacia abajo pudiendo ocasionar una lesión.
20. **Use solamente un disco de la sierra cuyo diámetro esté marcado en la herramienta o especificado en el manual.** El uso de un disco de tamaño incorrecto puede afectar la protección adecuada del disco o la operación del protector y ocasionar lesiones personales graves.
21. **Utilice únicamente los discos de la sierra marcados con una velocidad igual o mayor a la velocidad marcada en la herramienta.**
22. **Seleccione siempre el disco de la sierra correcto para el material que va a cortar.** No utilice el disco de la sierra para cortar otros materiales distintos a los especificados.
23. **La sierra puede cortar madera, aluminio o materiales similares siempre que se utilice un disco de la sierra apropiado para el material.** No utilice la sierra para cortar otros materiales incluido magnesio, acero y hierro.

Instrucciones adicionales

1. **Uso pretendido**
Esta herramienta está diseñada para realizar cortes rectos y en inglete de manera precisa sobre madera. Con los discos de la sierra apropiados también se puede cortar aluminio.
2. **Mantenga el taller a prueba de niños usando candados.**
3. **Nunca se pare sobre la herramienta.** El volcar la herramienta o tocar accidentalmente la herramienta de corte podría ocasionar lesiones graves.
4. **Nunca deje la herramienta desatendida mientras esté en marcha.** Desconecte la alimentación. No deje la herramienta hasta que se haya detenido completamente.
5. **No utilice la sierra sin los protectores puestos.** Verifique que el protector del disco cierre debidamente antes de cada uso. No utilice la sierra si el protector del disco no se mueve libremente y se cierra instantáneamente. No sujete ni ate el protector del disco en la posición abierta.
6. **Mantenga las manos alejadas de la trayectoria del disco de la sierra.** Evite el contacto con cualquier disco que esté girando por inercia. Aún puede ocasionarle heridas graves.
7. **Para reducir el riesgo de lesiones, vuelva a poner el carro en la posición completamente hacia atrás después de cada operación de corte transversal.**
8. **Asegúrese siempre de que todas las partes móviles se encuentren fijas antes de transportar la herramienta.**
9. **La clavija de retención que bloquea el cabezal de corte en posición hacia abajo es solamente para transportar y almacenar la herramienta y no para ninguna operación de corte.**
10. **Inspeccione el disco cuidadosamente para ver si tiene grietas o daños antes de comenzar la operación.** Reemplace el disco inmediatamente si está agrietado o dañado. El pegamento y la resina de madera endurecidas en los discos frenan la sierra y aumentan las posibilidades de que se produzcan retrocesos bruscos. Mantenga el disco limpio desmontándolo primero de la herramienta, y limpiándolo después con un producto para quitar pegamento y resina, agua caliente o queroseno. Nunca utilice gasolina para limpiar el disco.
11. **Al realizar un corte por deslizamiento, puede producirse un RETROCESO BRUSCO.** Los RETROCESOS BRUSCOS ocurren cuando el disco se trava en la pieza de trabajo durante una operación de corte y es impulsado rápidamente hacia el operador. El resultado puede ser la pérdida de control y lesiones graves. Si el disco comienza a trabarse durante una operación de corte, no continúe cortando y suelte el interruptor inmediatamente.
12. **Utilice solamente las bridas especificadas para esta herramienta.**
13. **Tenga cuidado de no dañar el eje, las bridas (especialmente la superficie de instalación) ni el perno.** Los daños en estas piezas podrían provocar la ruptura del disco.
14. **Asegúrese de que la base giratoria esté debidamente asegurada de forma que no se mueva durante la operación.** Utilice los orificios de la base para sujetar la sierra a una plataforma o banco de trabajo estable. NUNCA utilice la herramienta donde la posición del operador vaya a resultar incómoda.
15. **Asegúrese de que el bloqueo de eje esté suelto antes de activar el interruptor.**
16. **Asegúrese de que el disco no esté en contacto con la base giratoria en la posición más baja.**
17. **Sostenga firmemente la empuñadura.** Tenga en cuenta que la sierra se mueve levemente hacia arriba o hacia abajo al iniciar y al detener el funcionamiento.

18. Asegúrese de que el disco no esté haciendo contacto con la pieza de trabajo antes de activar el interruptor.
19. Antes de utilizar la herramienta en una pieza de trabajo definitiva, déjela funcionar durante un rato. Observe si hay vibración o bamboleo que pueda indicar una instalación incorrecta o un desequilibrio del disco.
20. Pare la operación inmediatamente si nota algo anormal.
21. No intente bloquear el gatillo en la posición activada.
22. Utilice los accesorios recomendados en este manual. El uso de accesorios inapropiados tales como discos abrasivos podría ocasionar lesiones.
23. Algunos materiales contienen sustancias químicas que pueden ser tóxicas. Tome precauciones para evitar la inhalación de polvo y el contacto con la piel. Consulte la hoja de seguridad de materiales del proveedor.
24. No use ningún alimentador con cableado eléctrico con esta herramienta.

Normas de seguridad adicionales para la lámpara en funcionamiento



1. No mire a la luz ni vea a la fuente de luz directamente.

GUARDE ESTAS INSTRUCCIONES.

⚠ ADVERTENCIA: NO DEJE que la comodidad o familiaridad con el producto (a base de utilizarlo repetidamente) sustituya la estricta observancia de las normas de seguridad para dicho producto. El MAL USO o el no seguir las normas de seguridad establecidas en este manual de instrucciones puede ocasionar lesiones personales graves.

Símbolos

A continuación se muestran los símbolos utilizados para la herramienta.

V	volts o voltios
— — —	corriente directa o continua
n_0	velocidad sin carga
... /min r /min	revoluciones o alternaciones por minuto, frecuencia de rotación
∅	diámetro
	No coloque la mano ni los dedos cerca del disco.
	No mire fijamente la lámpara mientras se encuentra en funcionamiento.

Instrucciones importantes de seguridad para el cartucho de batería

1. Antes de utilizar el cartucho de batería, lea todas las instrucciones e indicaciones de precaución en el (1) el cargador de batería, (2) la batería, y (3) el producto con el que se utiliza la batería.
2. No desarme ni modifique el cartucho de batería. Podría ocurrir un incendio, calor excesivo o una explosión.
3. Si el tiempo de operación se ha acortado en exceso, deje de operar de inmediato. Podría correrse el riesgo de sobrecalentamiento, posibles quemaduras e incluso explosión.
4. En caso de que ingresen electrolitos en sus ojos, enjuáguelos bien con agua limpia y consulte de inmediato a un médico. Esto podría ocasionar pérdida de visión.
5. Evite cortocircuitar el cartucho de batería:
 - (1) No toque las terminales con ningún material conductor.
 - (2) Evite guardar el cartucho de batería en un cajón junto con otros objetos metálicos, tales como clavos, monedas, etc.
 - (3) No exponga el cartucho de batería al agua o la lluvia.
 Un cortocircuito en la batería puede causar un flujo grande de corriente, sobrecalentamiento, posibles quemaduras e incluso una descompostura.
6. No guarde ni utilice la herramienta y el cartucho de batería en lugares donde la temperatura pueda alcanzar o exceder los 50 °C (122 °F).
7. Nunca incinere el cartucho de batería incluso en el caso de que esté dañado seriamente o ya no sirva en absoluto. El cartucho de batería puede explotar si se tira al fuego.
8. No clave, corte, aplaste, lance o deje caer el cartucho de batería, ni golpee un objeto sólido contra el cartucho de batería. Dicha acción podría resultar en un incendio, calor excesivo o en una explosión.
9. No use una batería dañada.
10. Las baterías de ión de litio están sujetas a los requisitos reglamentarios en materia de bienes peligrosos.

Para el transporte comercial, por ej., mediante terceros o agentes de transporte, se deben tomar en cuenta los requisitos especiales relativos al empaque y el etiquetado.

Para efectuar los preparativos del artículo que se va a enviar, se requiere consultar a un experto en materiales peligrosos. Si es posible, consulte además otras regulaciones nacionales más detalladas.

Pegue o cubra con cinta adhesiva los contactos abiertos y empaque la batería de manera que ésta no pueda moverse dentro del paquete.
11. Para deshacerse del cartucho de batería, sáquelo de la herramienta y deséchelo en un lugar seguro. Siga las regulaciones locales relacionadas al desecho de las baterías.

12. **Utilice las baterías únicamente con los productos especificados por Makita.** Instalar las baterías en productos que no cumplan con los requisitos podría ocasionar un incendio, un calentamiento excesivo, una explosión o una fuga de electrolito.
13. **Si no se utiliza la herramienta por un período largo, debe extraerse la batería de la herramienta.**
14. **El cartucho de batería podría absorber calor durante y después de su uso, lo que ocasionaría quemaduras o quemaduras a baja temperatura.** Tenga cuidado con la manipulación de los cartuchos de batería que estén calientes.
15. **No toque el terminal de la herramienta inmediatamente después de su uso, ya que el mismo podría estar lo suficientemente caliente como para provocar quemaduras.**
16. **No permita que las rebabas, el polvo o la tierra queden atrapados en los terminales, orificios y ranuras del cartucho de batería.** Esto podría ocasionar un desempeño deficiente o descomposición de la herramienta o del cartucho de batería.
17. **No utilice el cartucho de batería cerca de cables eléctricos de alto voltaje, a menos que la herramienta sea compatible con el uso cercano a estos cables eléctricos de alto voltaje.** Esto podría ocasionar una avería o descomposición de la herramienta o del cartucho de batería.
18. **Mantenga la batería alejada de los niños.**

GUARDE ESTAS INSTRUCCIONES.

⚠PRECAUCIÓN: Utilice únicamente baterías originales de Makita. El uso de baterías no originales de Makita, o de baterías alteradas, puede ocasionar que las baterías exploten causando un incendio, lesiones personales y daños. Asimismo, esto invalidará la garantía de Makita para la herramienta y el cargador Makita.

Consejos para alargar al máximo la vida útil de la batería

1. **Cargue el cartucho de batería antes de que se descargue completamente.** Pare siempre la operación y cargue el cartucho de batería cuando note menos potencia en la herramienta.
2. **No cargue nunca un cartucho de batería que esté completamente cargado.** La sobrecarga acortará la vida de servicio de la batería.
3. **Cargue el cartucho de batería a una temperatura ambiente de 10 °C - 40 °C (50 °F - 104 °F).** Si un cartucho de batería está caliente, déjelo enfriar antes de cargarlo.
4. **Cuando no utilice el cartucho de batería, sáquelo de la herramienta o del cargador.**
5. **Cargue el cartucho de batería si no va a utilizarlo durante un período prolongado (más de seis meses).**

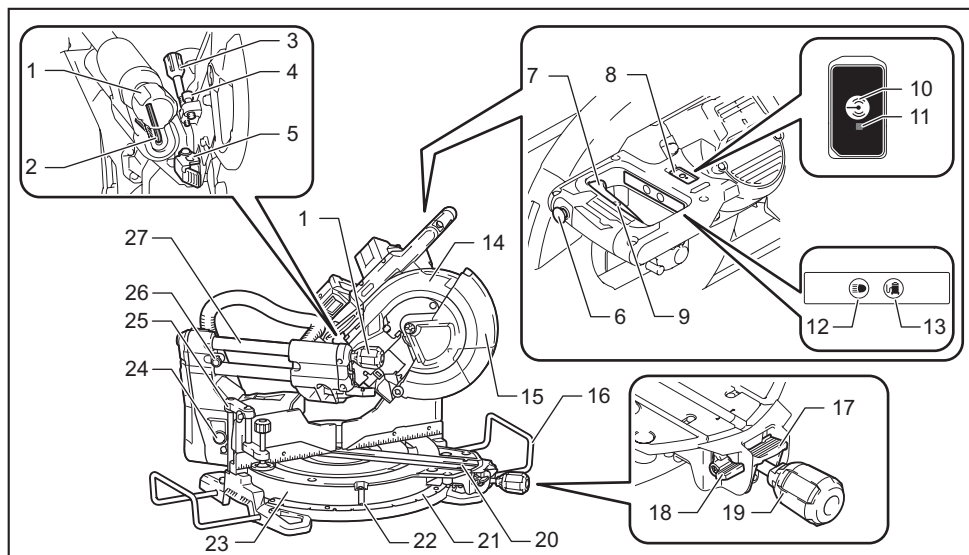
Instrucciones importantes de seguridad para la unidad inalámbrica

1. **No desarme ni modifique la unidad inalámbrica.**
2. **Mantenga la unidad inalámbrica alejada de los niños pequeños.** En caso de ingerirla accidentalmente, solicite atención médica de inmediato.
3. **Utilice la unidad inalámbrica solamente con herramientas de Makita.**
4. **No exponga la unidad inalámbrica a la lluvia ni a condiciones de humedad.**
5. **No utilice la unidad inalámbrica en lugares donde la temperatura exceda los 50 °C (122 °F).**
6. **No utilice la unidad inalámbrica en lugares donde haya instrumentos médicos tales como marcapasos cerca.**
7. **No utilice la unidad inalámbrica en lugares donde haya dispositivos automáticos cerca.** Si se utiliza, los dispositivos automáticos podrían causar alguna avería o error.
8. **No opere la unidad inalámbrica en lugares con alta temperatura o donde pueda generarse electricidad estática o ruido eléctrico.**
9. **La unidad inalámbrica puede producir campos electromagnéticos (CEM), sin embargo éstos no son dañinos para el usuario.**
10. **La unidad inalámbrica es un instrumento de precisión.** Tenga cuidado de no dejar caer ni golpear la unidad inalámbrica.
11. **Evite tocar la terminal de la unidad inalámbrica con las manos descubiertas o con materiales metálicos.**
12. **Retire siempre la batería del producto al instalar en él la unidad inalámbrica.**
13. **Cuando abra la tapa de la ranura, evite el lugar donde el polvo y el agua puedan introducirse en la ranura.** Mantenga siempre la entrada de la ranura limpia.
14. **Inserte siempre la unidad inalámbrica en la dirección correcta.**
15. **No oprima el botón de activación inalámbrica en la unidad inalámbrica demasiado fuerte, ni lo haga con ningún objeto que tenga un borde filoso.**
16. **Cierre siempre la tapa de la ranura durante la operación.**
17. **No retire la unidad inalámbrica de la ranura mientras se esté suministrando energía a la herramienta.** El hacerlo podría causar una avería de la unidad inalámbrica.
18. **No retire la etiqueta en la unidad inalámbrica.**
19. **No coloque ninguna etiqueta en la unidad inalámbrica.**
20. **No deje la unidad inalámbrica en un lugar donde pueda generarse electricidad estática o ruido eléctrico.**
21. **No deje la unidad inalámbrica en un lugar sujeto a temperaturas altas, tal como un vehículo estacionado bajo el sol.**

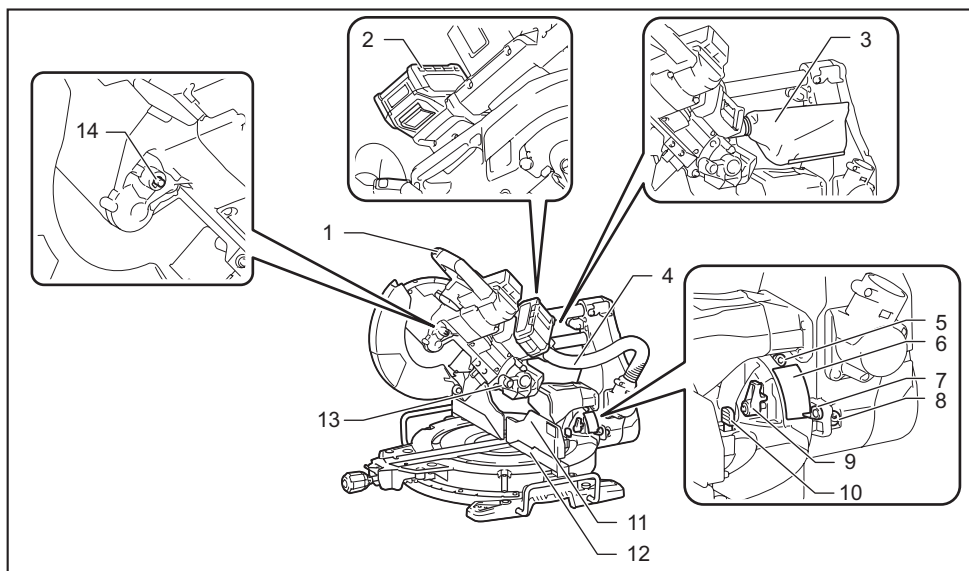
22. No deje la unidad inalámbrica en un lugar donde haya polvo o suciedad ni en un lugar donde pueda generarse gas corrosivo.
23. Los cambios repentinos de temperatura podrían humedecer la unidad inalámbrica. No utilice la unidad inalámbrica hasta que la condensación se haya secado por completo.
24. Cuando vaya a limpiar la unidad inalámbrica, hágalo cuidadosamente usando un paño suave seco. No utilice bencina, disolvente, grasa conductora o sustancias similares.
25. Cuando vaya a almacenar la unidad inalámbrica, guárdela en el estuche suministrado o en un contenedor libre de electricidad estática.
26. No inserte ningún otro dispositivo que no sea la unidad inalámbrica de Makita en la ranura de la herramienta.
27. No utilice la herramienta si la tapa de la ranura está dañada. La entrada de agua, polvo o suciedad en la ranura podría causar una avería.
28. No jale ni tuerza la tapa de la ranura más de lo necesario. Vuelva a colocar la tapa si ésta se sale de la herramienta.
29. Reemplace la tapa de la ranura si llega a perderse o dañarse.

GUARDE ESTAS INSTRUCCIONES.

DESCRIPCIÓN DE LAS PIEZAS



1	Pomo (para el ángulo de bisel)	2	Llave hexagonal	3	Tornillo de ajuste (para la posición del límite inferior)	4	Perno de ajuste (para la máxima capacidad de corte)
5	Brazo de retención	6	Botón de desbloqueo	7	Gatillo interruptor	8	Tapa (para la unidad inalámbrica)
9	Orificio para el candado	10	Botón de activación inalámbrica	11	Luz indicadora de activación inalámbrica	12	Botón de la lámpara
13	Botón de aspiradora	14	Caja del disco	15	Protector del disco	16	Soporte
17	Palanca de bloqueo (para la base giratoria)	18	Palanca de liberación (para la base giratoria)	19	Perilla (para la base giratoria)	20	Panel de corte
21	Escala del ángulo de inglete	22	Marcador (para el ángulo de inglete)	23	Base giratoria	24	Botón de liberación (para el ángulo de bisel del lado derecho)
25	Prensa vertical	26	Clavija de retención (para el deslizamiento del carro)	27	Soporte de corredera	-	-

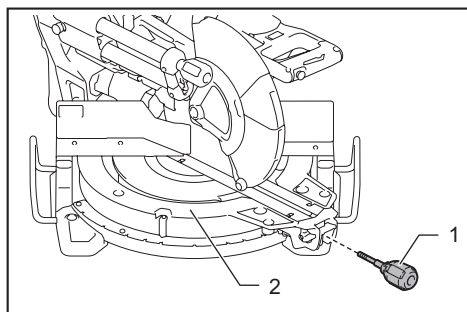


1	Empuñadura	2	Cartucho de batería	3	Bolsa recolectora de polvo (cuando se reemplaza con la manguera de extracción de polvo)	4	Manguera (para la extracción de polvo)
5	Perno de ajuste de 0° (para el ángulo de bisel)	6	Escala del ángulo de bisel	7	Marcador (para el ángulo de bisel)	8	Perno de ajuste de 45° (para el ángulo de bisel)
9	Palanca de la aldabilla (para el ángulo de bisel)	10	Palanca de liberación (para el ángulo de bisel de 48°)	11	Guía lateral (guía superior)	12	Guía lateral (guía inferior)
13	Clavija de retención (para la elevación del carro)	14	Bloqueo del eje	-	-	-	-

INSTALACIÓN

Instalación de la perilla

Atornille el eje roscado de la perilla en la base giratoria.

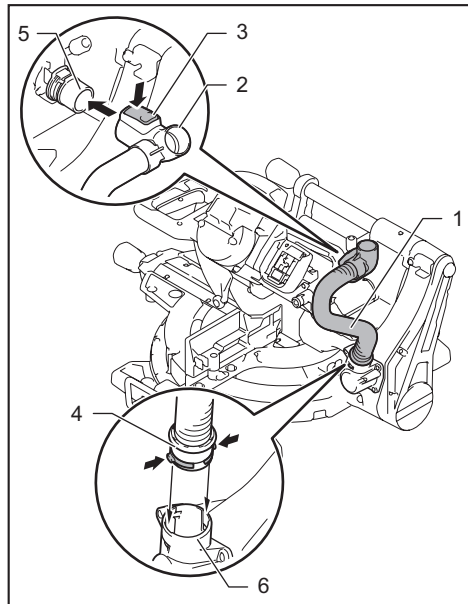


► 1. Perilla 2. Base giratoria

Instalación y remoción de la manguera de extracción de polvo

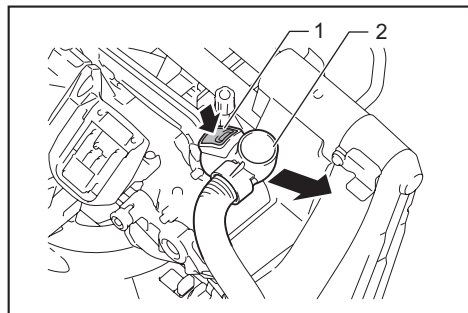
Conecte el codo de la manguera al puerto superior con el botón de bloqueo hacia arriba. Inserte el manguito de la manguera en el puerto inferior, presionando y alineando los botones de tope del manguito con las ranuras de guía del puerto.

Asegúrese de que el codo y el manguito encajen correctamente en los puertos de la herramienta.



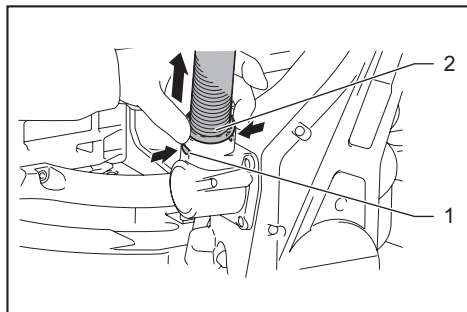
- ▶ 1. Manguera de extracción de polvo 2. Codo
- 3. Botón de bloqueo 4. Manguito 5. Puerto superior
- 6. Puerto inferior

Para extraer el codo de la manguera del puerto, jale el codo mientras oprime el botón de bloqueo.



- ▶ 1. Botón de bloqueo 2. Codo

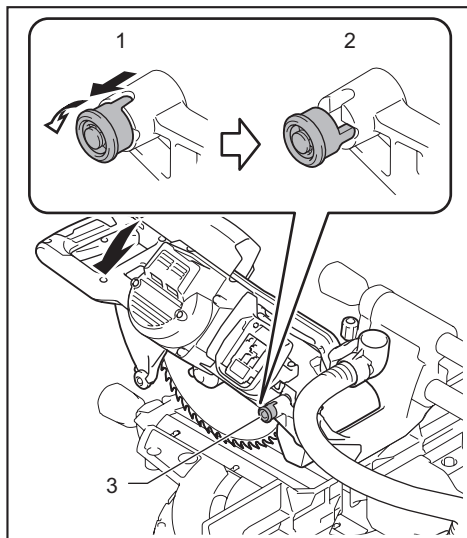
Para quitar el manguito de la manguera del puerto, tire del manguito mientras presiona los botones de tope de ambos lados del puerto.



- ▶ 1. Botón de tope 2. Manguito

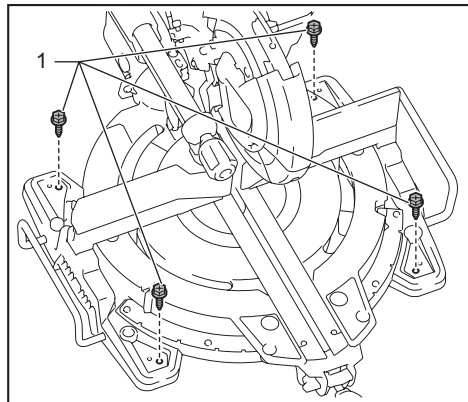
Montaje en un banco de trabajo

Cuando la herramienta sale de fábrica, la empuñadura es bloqueada en la posición hacia abajo por la clavija de retención. Mientras baja ligeramente la empuñadura, jale la clavija de retención y gírela 90°.



- ▶ 1. Posición bloqueada 2. Posición desbloqueada
- 3. Clavija de retención

Esta herramienta debe fijarse con cuatro pernos a una superficie nivelada y estable usando los orificios para pernos provistos en la base de la herramienta. Esto ayudará a evitar que la herramienta se vuelque y provoque lesiones.



► 1. Pernos

⚠ADVERTENCIA: Asegúrese de que la herramienta no se mueva sobre la superficie de apoyo. El movimiento de la sierra de inglete sobre la superficie de apoyo mientras se realiza un corte podría ocasionar la pérdida del control causando lesiones personales graves.

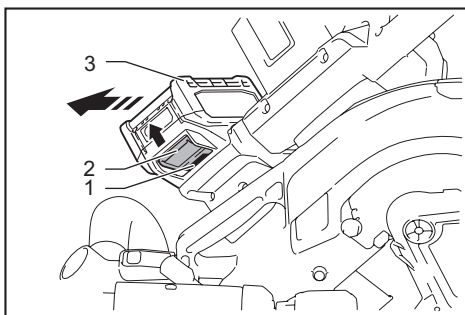
DESCRIPCIÓN DEL FUNCIONAMIENTO

⚠ADVERTENCIA: Asegúrese siempre de que la herramienta esté apagada y el cartucho de batería haya sido extraído antes de realizar cualquier ajuste o revisión del funcionamiento de la herramienta. El no apagar y extraer el cartucho de batería puede provocar lesiones personales graves a causa de un encendido accidental.

Instalación o extracción del cartucho de batería

⚠PRECAUCIÓN: Apague siempre la herramienta antes de colocar o quitar el cartucho de batería.

⚠PRECAUCIÓN: Sujete la herramienta y el cartucho de la batería con firmeza al colocar o quitar el cartucho de batería. Si no se sujeta con firmeza la herramienta y el cartucho de batería, puede ocasionar que se resbalen de sus manos causando daños a la herramienta y al cartucho de batería, así como lesiones a la persona.



► 1. Indicador rojo 2. Botón 3. Cartucho de batería

Para quitar el cartucho de batería, deslícelo de la herramienta mientras desliza el botón sobre la parte delantera del cartucho.

Para instalar el cartucho de batería, alinee la lengüeta sobre el cartucho de batería con la ranura en la carcasa y deslícela hasta su lugar. Insértelo por completo hasta que se fije en su lugar con un pequeño clic. Si puede ver el indicador rojo como se muestra en la ilustración, este no ha quedado asegurado por completo.

⚠PRECAUCIÓN: Introduzca siempre completamente el cartucho de batería hasta que el indicador rojo no pueda verse. Si no, podría accidentalmente salirse de la herramienta y caer al suelo causando una lesión a usted o alguien a su alrededor.

⚠PRECAUCIÓN: No instale el cartucho de batería a la fuerza. Si el cartucho no se desliza al interior fácilmente, se debe a que no está siendo insertado correctamente.

Sistema de protección para la herramienta/batería

La herramienta está equipada con un sistema de protección para la herramienta/batería. Este sistema corta en forma automática el suministro de energía al motor para prolongar la vida útil de la herramienta y la batería. La herramienta se detendrá automáticamente durante la operación si la herramienta o la batería se someten a una de las siguientes condiciones. En algunas condiciones, los indicadores pueden encenderse.

Protección contra sobrecarga

Cuando la herramienta/batería sean utilizadas de una manera que cause que consuman una cantidad inusualmente alta de corriente, la herramienta se detendrá automáticamente. En este caso, apague la herramienta y detenga la aplicación que causó que la herramienta se sobrecargara. Luego encienda la herramienta para reiniciarla.

Protección contra sobrecalentamiento

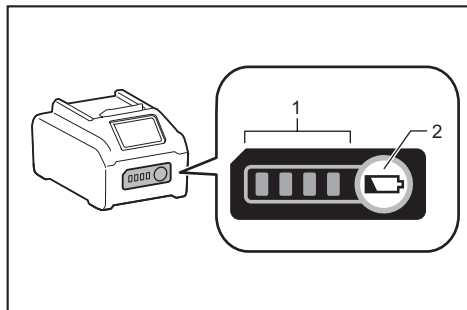
Cuando la herramienta/batería se sobrecalienten, la herramienta se detendrá automáticamente y la luz indicadora parpadeará. En este caso, espere a que la herramienta se enfríe antes de volver a encenderla.

Protección contra sobredescarga

Cuando la capacidad de la batería se reduce, la herramienta se detiene automáticamente. Si la herramienta no funciona con la operación del interruptor, extraiga la batería de la herramienta y cárguela.

Indicación de la capacidad restante de la batería

Oprima el botón de verificación en el cartucho de la batería para que indique la capacidad restante de la batería. Las luces indicadoras se iluminarán por algunos segundos.



► 1. Luces indicadoras 2. Botón de verificación

Luces indicadoras			Capacidad restante
Iluminadas	Apagadas	Parpadeando	
■ ■ ■ ■	□ □ □ □	▬	75% a 100%
■ ■ ■ □	□ □ □ □	▬	50% a 75%
■ ■ □ □	□ □ □ □	▬	25% a 50%
■ □ □ □	□ □ □ □	▬	0% a 25%
▬ □ □ □	□ □ □ □	▬	Cargar la batería.
■ ■ □ □	□ □ □ □	▬	La batería pudo haber funcionado mal.
□ □ ■ ■	□ □ □ □	▬	

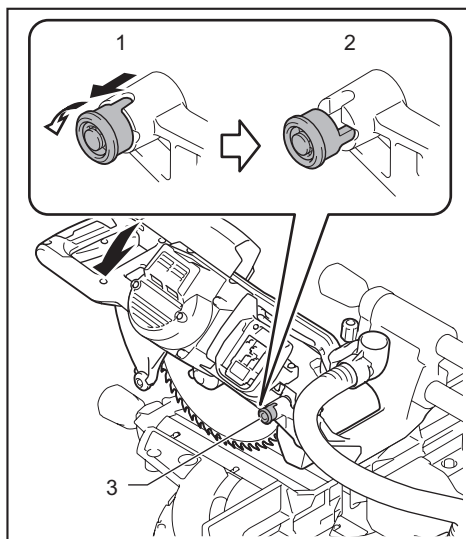
NOTA: Dependiendo de las condiciones de uso y la temperatura ambiente, la indicación podrá diferir ligeramente de la capacidad real.

NOTA: La primera luz indicadora (extrema izquierda) parpadeará cuando el sistema de protección de batería esté en funcionamiento.

Bloqueo de la empuñadura

⚠PRECAUCIÓN: Siempre sostenga la empuñadura al liberar la clavija de retención. De lo contrario, la empuñadura se levanta de golpe y puede provocar una lesión.

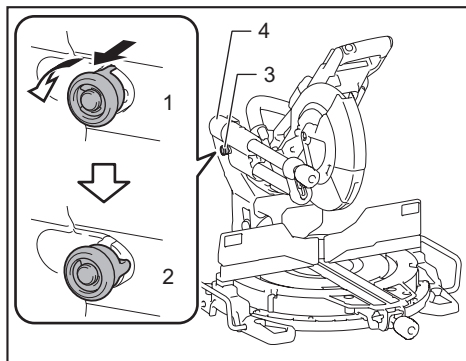
La empuñadura se puede bloquear en la posición descendida o en la posición elevada con la clavija de retención. Baje o suba la empuñadura completamente, y luego tire y gire la clavija de retención en una posición bloqueada. Para desbloquear la empuñadura, jale la clavija de retención y gírela 90° en una posición desbloqueada, mientras baja ligeramente la empuñadura.



► 1. Posición bloqueada 2. Posición desbloqueada
3. Clavija de retención

Bloqueo de deslizamiento

Jale la clavija de retención y gírela 90° en una posición desbloqueada para permitir el movimiento libre del carro. Para bloquear el movimiento deslizante del carro, empuje el carro hacia el brazo hasta que se detenga, y luego regrese la clavija de retención en una posición bloqueada.



► 1. Posición bloqueada 2. Posición desbloqueada
3. Clavija de retención 4. Brazo

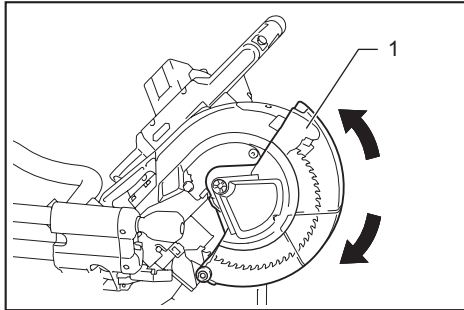
Protector del disco

⚠️ ADVERTENCIA: Nunca inhabilite o quite el protector del disco, ni el resorte que lo fija. Un disco expuesto como resultado de inhabilitar el protector puede causar graves lesiones personales durante la operación.

⚠️ ADVERTENCIA: Nunca use la herramienta si el protector del disco o el resorte están dañados, defectuosos o hacen falta. La operación de la herramienta con algún daño o defecto en el protector o si éste hace falta puede causar lesiones personales graves.

⚠️ PRECAUCIÓN: Siempre mantenga el protector del disco en buen estado para una operación segura. Detenga de inmediato la operación en caso de haber alguna irregularidad con el protector del disco. Asegúrese de comprobar la acción de regreso del protector mediante el resorte.

Al bajar la empuñadura, el protector del disco se levanta automáticamente. El protector del disco es accionado por resorte, por lo que éste regresará a su posición original al terminar de realizar el corte y la empuñadura sea levantada.



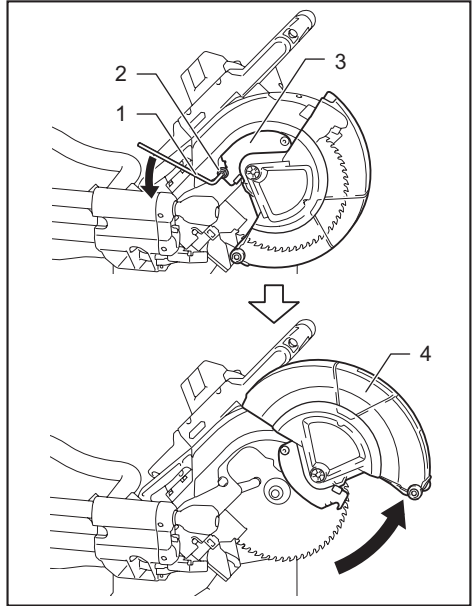
► 1. Protector del disco

Limpieza

Si el protector transparente del disco se ensucia, o si el aserrín se adhiere causando que el disco y/o la pieza de trabajo no puedan verse fácilmente, retire el cartucho de batería y limpie cuidadosamente el protector con un paño húmedo. No utilice disolventes ni limpiadores a base de petróleo sobre el protector de plástico ya que esto podría dañarlo. Siga las instrucciones paso a paso enumeradas sobre cómo prepararse para la limpieza.

1. Asegúrese de apagar la herramienta y retirar el cartucho de batería.
2. Gire el perno hexagonal en sentido inverso al de las manecillas del reloj usando la llave hexagonal suministrada, mientras sostiene la cubierta central.
3. Levante el protector del disco y la cubierta central.
4. Una vez finalizada la limpieza, coloque de nuevo la cubierta central y apriete el perno hexagonal siguiendo los pasos de arriba en orden inverso.

5. Asegúrese de regresar el disco de la sierra circular y la cubierta central a sus posiciones originales, y apriete el perno hexagonal.



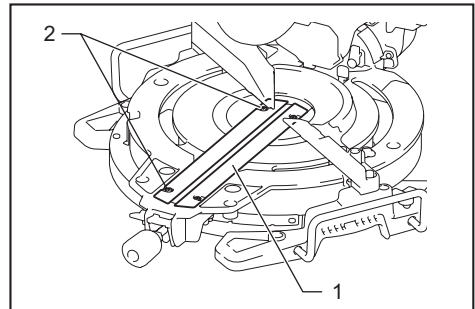
► 1. Llave hexagonal 2. Perno hexagonal 3. Cubierta central 4. Protector del disco

⚠️ ADVERTENCIA: No quite el resorte que sujeta el protector del disco. Si el protector se daña con el transcurso del tiempo o por exposición a luz ultravioleta, póngase en contacto con un centro de servicio Makita para solicitar un repuesto. **NO INHABILITE NI RETIRE EL PROTECTOR.**

Posicionamiento del panel de corte

La base giratoria de esta herramienta viene provista con paneles de corte a fin de minimizar el desgaste en el lado de salida del corte. Los paneles de corte están ajustados de fábrica de manera que éstos no hagan contacto con el disco de la sierra circular. Antes de utilizar la herramienta, ajuste los paneles de corte de la siguiente manera:

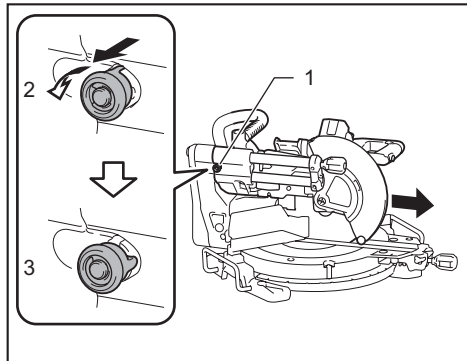
1. Asegúrese de extraer el cartucho de batería. Luego, afloje todos los tornillos (dos de cada lado a la izquierda y la derecha) fijando los paneles de corte.



► 1. Panel de corte 2. Tornillos

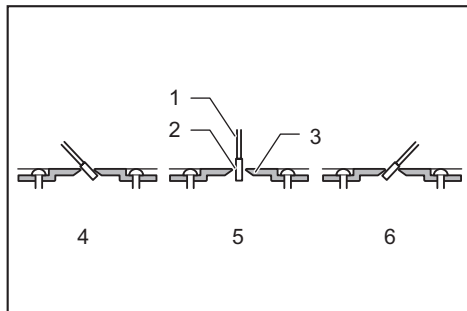
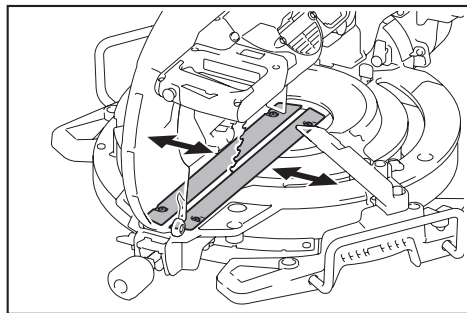
NOTA: Los tornillos de la parte posterior se pueden aflojar y apretar fácilmente girando la base giratoria en ángulo. Asegúrese de subir completamente la empuñadura cuando gire la base giratoria.

2. Vuelva a apretarlos sólo hasta el punto en que los paneles de corte puedan aún moverse manualmente con facilidad.
3. Baje la empuñadura por completo y luego jale y gire la clavija de retención para bloquear la empuñadura en la posición inferior.
4. Jale y gire la clavija de retención del soporte de corredera para permitir el deslizamiento del carro.



- 1. Clavija de retención 2. Posición bloqueada
3. Posición desbloqueada

5. Jale el carro por completo hacia usted.
6. Ajuste los paneles de corte de manera que éstos sólo hagan contacto con los costados de los dientes del disco.



- 1. Disco de la sierra 2. Dientes del disco 3. Panel de corte 4. Corte en bisel izquierdo 5. Corte recto 6. Corte en bisel derecho

AVISO: Cuando cambie los ángulos de bisel, asegúrese de reposicionar adecuadamente los paneles de corte.

AVISO: Antes de colocar los paneles de corte para un corte en bisel izquierdo o derecho, extraiga siempre las guías laterales superiores y la prensa vertical.

7. Apriete los tornillos delanteros (no los apriete por completo).
8. Empuje el carro hacia las guías laterales por completo y luego ajuste los paneles de corte de tal forma que éstos apenas hagan contacto con los costados de los dientes del disco.
9. Apriete los tornillos traseros (no los apriete por completo).
10. Una vez ajustados los paneles de corte, libere la clavija de retención para bloquear la empuñadura y levante la empuñadura. Luego apriete todos los tornillos firmemente.

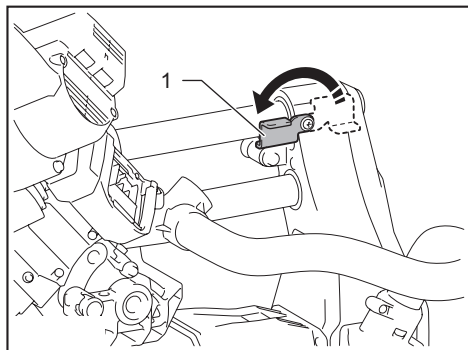
AVISO: Tras ajustar el ángulo de bisel, asegure que los paneles de corte queden ajustados correctamente. El ajuste correcto de los paneles de corte ayudará a ofrecer un apoyo adecuado de la pieza de trabajo minimizando su desplazamiento.

Manteniendo la máxima capacidad de corte

Esta herramienta está ajustada de fábrica para ofrecer la máxima capacidad de corte para un disco de la sierra de 255 mm (10").

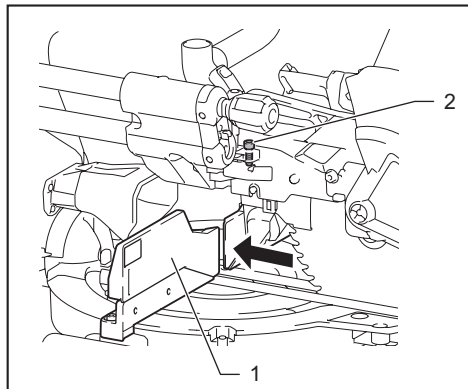
Al instalar un disco de la sierra circular nuevo, revise siempre la posición del límite inferior del disco de la sierra circular y, de ser necesario, haga el ajuste como se indica a continuación:

1. Retire el cartucho de batería. Luego, gire la palanca del tope a la posición enganchada.



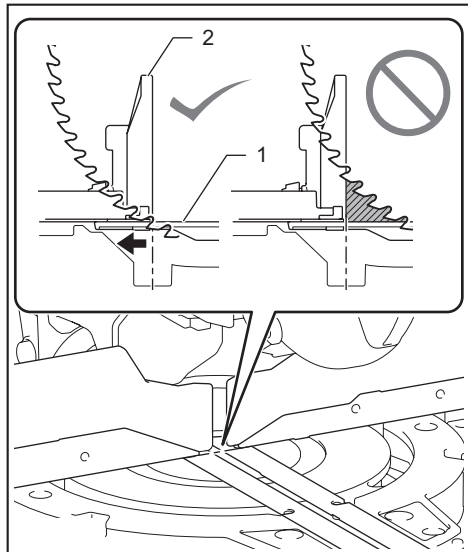
- 1. Palanca del tope

2. Empuje el carro hacia las guías laterales por completo y baje la empuñadura totalmente.



► 1. Guía lateral 2. Perno de ajuste

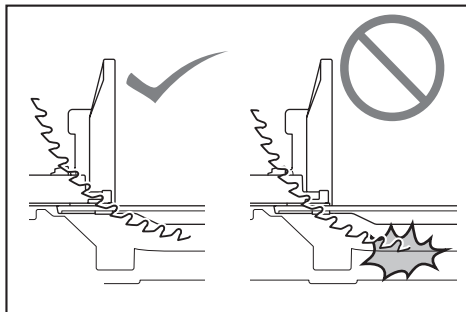
3. Use la llave hexagonal para girar el perno de ajuste hasta que el disco de la sierra circular se coloque ligeramente debajo de la sección transversal de las guías laterales y la parte superior de la base giratoria.



► 1. Superficie superior de la base giratoria 2. Guía lateral

4. Gire el disco manualmente mientras sostiene la empuñadura completamente hacia abajo para asegurar que el disco de la sierra circular no haga contacto con ninguna pieza de la base inferior. Reajuste ligeramente, en caso necesario.

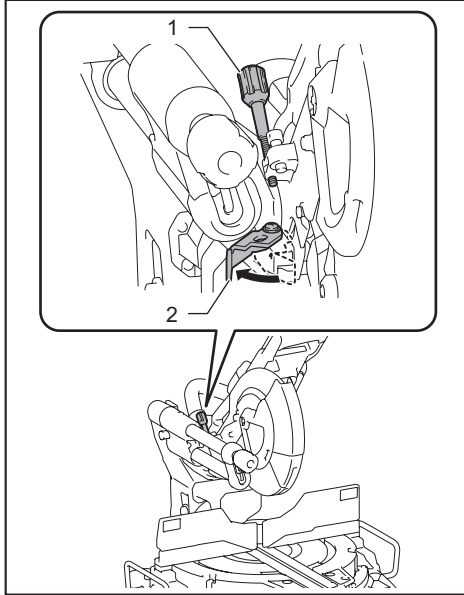
⚠ADVERTENCIA: Tras la colocación de un disco de la sierra circular nuevo y con el cartucho de batería retirado, asegúrese siempre de que el disco de la sierra circular no haga contacto con ninguna pieza de la base inferior al bajar la empuñadura por completo. Si un disco de la sierra circular hace contacto con la base, puede producirse un retroceso brusco ocasionando lesiones personales graves.



⚠PRECAUCIÓN: Regrese siempre la palanca del tope a la posición original después del ajuste.

Brazo de retención

La posición del límite inferior del disco de la sierra circular puede ser ajustada fácilmente con el brazo de retención. Para hacerlo, mueva el brazo de retención en dirección de la flecha, tal como se muestra en la figura. Gire el tornillo de ajuste de manera que el disco de la sierra circular se detenga en la posición deseada al bajar por completo la empuñadura.



► 1. Tornillo de ajuste 2. Brazo de retención

⚠PRECAUCIÓN: Siempre sostenga la empuñadura firmemente cuando realice el ajuste. El no hacerlo podría ocasionar que el carro brinque hacia arriba y cause una lesión.

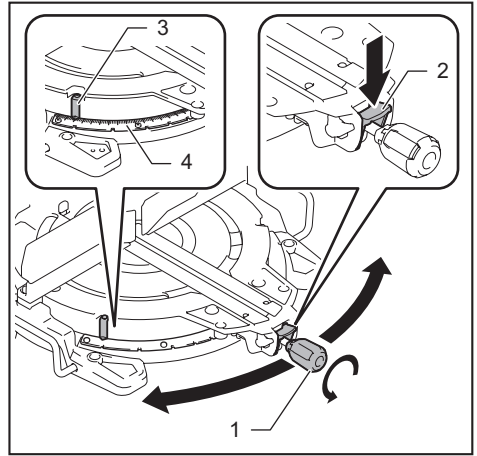
Ajuste del ángulo de inglete

⚠PRECAUCIÓN: Después de cambiar el ángulo de inglete, asegure siempre la base giratoria al regresar la palanca de bloqueo/liberación a una posición bloqueada y apretar la perilla firmemente.

AVISO: Antes de girar la base giratoria, asegúrese de subir completamente la empuñadura.

1. Gire la perilla en sentido inverso al de las manecillas del reloj. Luego, presione y mantenga presionada la palanca de bloqueo hasta la posición de desbloqueo.
2. Sostenga y oscile la perilla de lado a lado para girar la base giratoria.
3. Alinee el marcador con su ángulo deseado en la escala del ángulo de inglete.

4. Libere la palanca de bloqueo y apriete la perilla.

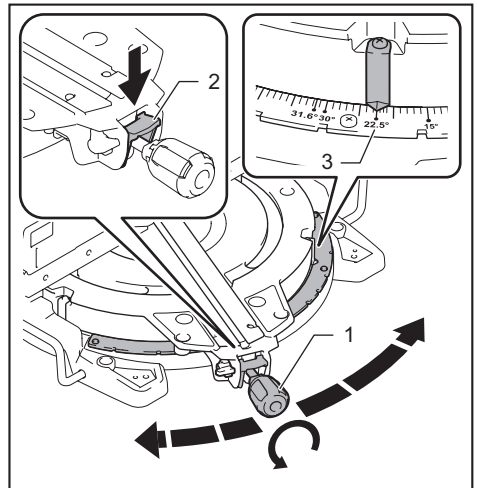


► 1. Perilla 2. Palanca de bloqueo 3. Marcador 4. Escala del ángulo de inglete

Función de tope de seguridad

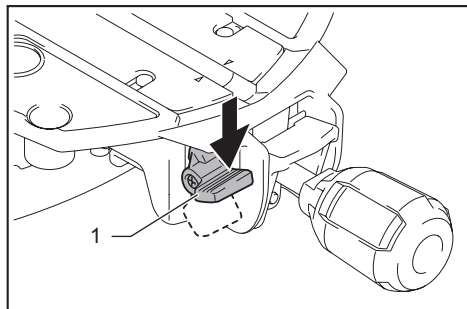
Esta sierra de inglete emplea la función de tope de seguridad. Usted puede ajustar el ángulo de inglete izquierdo o derecho rápidamente en 0°, 15°, 22,5°, 31,6°, 45°, y 60°.

1. Gire la perilla en sentido inverso al de las manecillas del reloj.
2. Presione y mantenga presionada la palanca de bloqueo en una posición de desbloqueo.
3. Gire la base giratoria cerca del ángulo del tope de seguridad deseado, y suelte la palanca de bloqueo.
4. Gire la base giratoria al ángulo de tope de seguridad deseado hasta que esta se asegure.
5. Apriete la perilla.



► 1. Perilla 2. Palanca de bloqueo 3. Ángulo del tope de seguridad

NOTA: Para liberar la base giratoria de la función de tope de seguridad, presione hacia abajo la palanca de liberación. La base giratoria se puede mover libremente sin mantener presionada la palanca de bloqueo. Gire la perilla para girar la base giratoria al ángulo deseado, y luego apriete la perilla.



► 1. Palanca de liberación

Ajuste del ángulo de bisel

⚠PRECAUCIÓN: Después de cambiar el ángulo de bisel, siempre asegure el brazo apretando el pomo del soporte de corredera en el sentido de las manecillas del reloj.

AVISO: Retire siempre las guías laterales superiores y la prensa vertical antes de ajustar el ángulo de bisel.

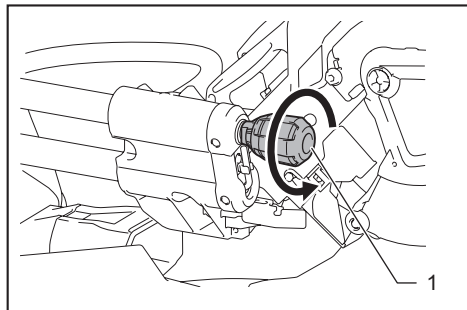
AVISO: Cuando incline el disco de la sierra circular, asegúrese de que el carro esté completamente elevado.

AVISO: Cuando cambie los ángulos de bisel, asegúrese de volver a posicionar adecuadamente los paneles de corte, tal como se explica en la sección para posicionamiento de los paneles de corte.

AVISO: No apriete el pomo del soporte de corredera demasiado fuerte. El hacerlo podría causar una avería en el mecanismo de bloqueo del ángulo de bisel.

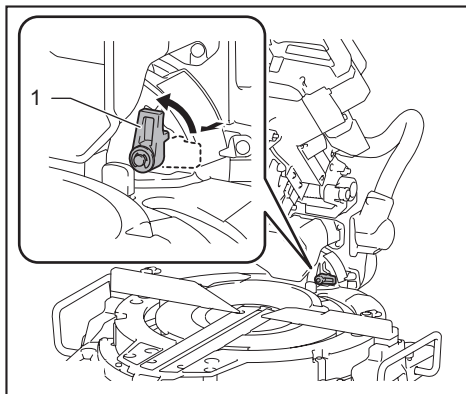
Inclinación del disco de la sierra circular a la izquierda

1. Gire el pomo en el soporte de corredera en sentido inverso al de las manecillas del reloj.



► 1. Pomo

2. Jale y gire la palanca de la aldabilla a la posición que se muestra en la ilustración.

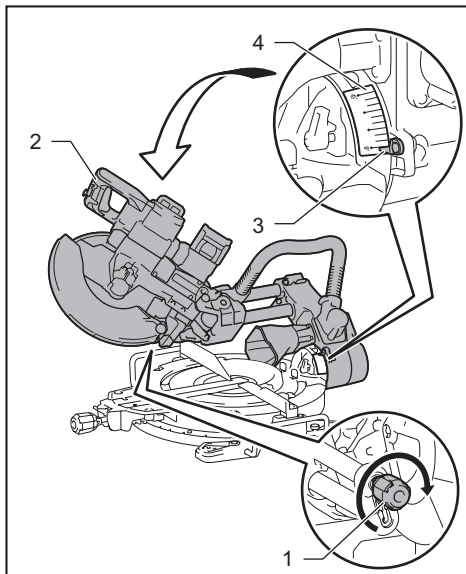


► 1. Palanca de la aldabilla

3. Sostenga la empuñadura e incline el carro a la izquierda.

4. Alinee el marcador con su ángulo deseado en la escala del ángulo de bisel.

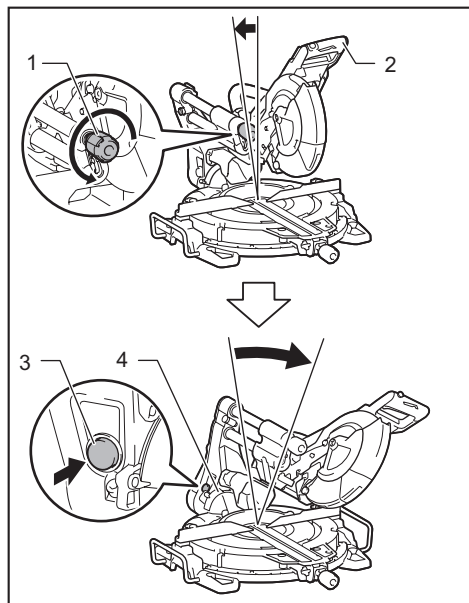
5. Apriete el pomo en el sentido de las manecillas del reloj para asegurar el brazo del carro.



► 1. Pomo 2. Empuñadura 3. Marcador 4. Escala del ángulo de bisel

Inclinación del disco de la sierra circular a la derecha

1. Rote el pomo del soporte de corredera en sentido inverso al de las manecillas del reloj.
2. Sostenga la empuñadura e incline el carro a la izquierda ligeramente.
3. Inclíne el carro a la derecha mientras oprime el botón de liberación para el ángulo de bisel del lado derecho.
4. Alinee el marcador con su ángulo deseado en la escala del ángulo de bisel.
5. Apriete el pomo en el sentido de las manecillas del reloj para asegurar el brazo del carro.

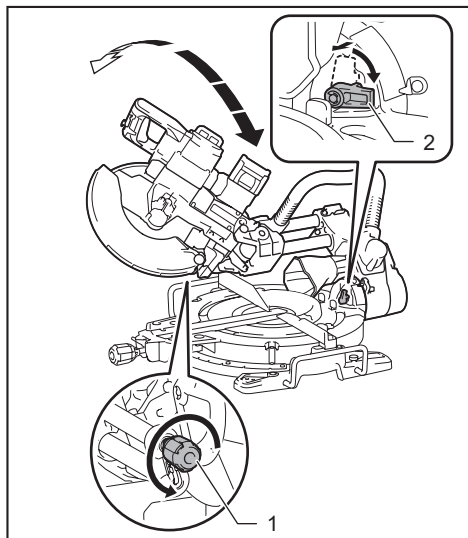


- 1. Pomo 2. Empuñadura 3. Botón de liberación para el ángulo de bisel del lado derecho 4. Escala del ángulo de bisel

Inclinación del disco de la sierra circular con función de tope de seguridad

Esta sierra de inglete emplea la función de tope de seguridad. Usted puede ajustar rápidamente el ángulo tanto del lado derecho como del izquierdo en 22,5° y 33,9°.

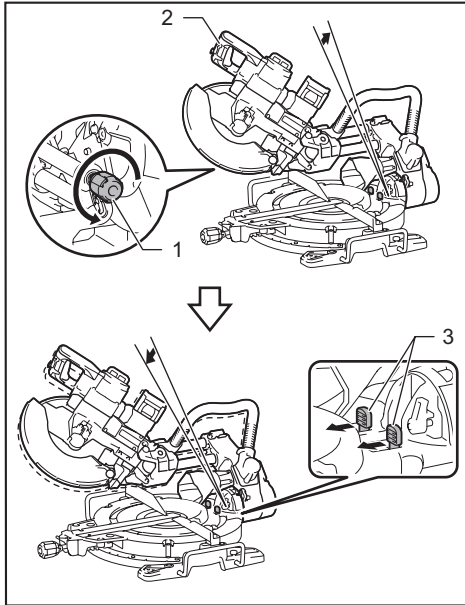
1. Rote el pomo del soporte de corredera en sentido inverso al de las manecillas del reloj.
2. Inclíne el carro cerca del ángulo de tope de seguridad deseado mientras levanta la palanca de la aldabilla.
3. Ponga la palanca de la aldabilla en una posición horizontal.
4. Inclíne el carro al ángulo de tope de seguridad deseado hasta que esta se asegure.
5. Para cambiar el ángulo, tire de la palanca de la aldabilla hacia la parte delantera de la herramienta, y luego vuelva a inclinar el carro.
6. Apriete el pomo en el sentido de las manecillas del reloj para asegurar el brazo del carro.



- 1. Pomo 2. Palanca de la aldabilla

Inclinación del disco de la sierra circular más allá del rango de 0° a 45°

1. Rote el pomo del soporte de corredera en sentido inverso al de las manecillas del reloj.
2. Sostenga la empuñadura e incline el carro en un ángulo de 45°, ya sea a la izquierda o a la derecha.
3. Jale el carro hacia atrás ligeramente y deslice la palanca de liberación para el ángulo de bisel de 48° hacia el frente de la herramienta.
4. Incline el carro más hacia la izquierda o a la derecha mientras mantiene liberada la palanca.
5. Apriete el pomo en el sentido de las manecillas del reloj para asegurar el brazo del carro.



- 1. Pomo 2. Empuñadura 3. Palanca de liberación para el ángulo de bisel de 48°

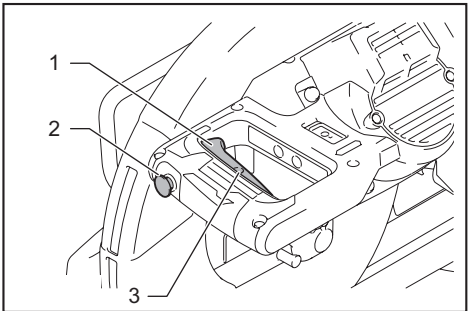
Accionamiento del interruptor

⚠ADVERTENCIA: Antes de instalar el o los cartuchos de batería en la herramienta, compruebe siempre que el gatillo interruptor se accione debidamente y que regrese a la posición de apagado una vez que se suelte. No jale fuertemente el gatillo interruptor sin presionar el botón de desbloqueo. Esto podría dañar el interruptor. Usar una herramienta con un interruptor que no funciona adecuadamente puede resultar en pérdida del control ocasionando graves lesiones a la persona.

⚠ADVERTENCIA: NUNCA use la herramienta sin un gatillo interruptor completamente funcional. Cualquier herramienta con un interruptor que no funcione correctamente es SUMAMENTE PELIGROSA y debe ser reparada antes de continuar su uso o podría causar lesiones personales graves.

⚠ADVERTENCIA: NUNCA inhabilite el botón de desbloqueo manteniéndolo presionado con cinta adhesiva o mediante otro método. El uso de un interruptor con un botón de desbloqueo inhabilitado puede ocasionar una operación accidental y lesiones personales graves.

⚠ADVERTENCIA: NUNCA use la herramienta si se activa simplemente al jalar el gatillo interruptor sin que haya presionado el botón de desbloqueo. El uso de un interruptor que requiere reparación puede ocasionar una operación accidental y lesiones personales graves. Lleve la herramienta a un centro de servicio Makita para las reparaciones apropiadas ANTES de continuar su uso.



- 1. Gatillo interruptor 2. Botón de desbloqueo
3. Orificio para el candado

El botón de desbloqueo es suministrado para evitar jalar accidentalmente el gatillo interruptor. Para encender la herramienta, presione el botón de desbloqueo y jale el gatillo interruptor. Para detenerla, suelte el gatillo interruptor.

El gatillo interruptor cuenta con un orificio para insertar un candado para el bloqueo de la herramienta.

⚠ADVERTENCIA: No utilice un candado con un fuste o cable de menos de 6,35 mm (1/4") de diámetro. Un fuste o cable menor podría no bloquear la herramienta adecuadamente en la posición de apagado, ocasionando una operación accidental que podría causar lesiones personales graves.

Proyección de una línea de corte

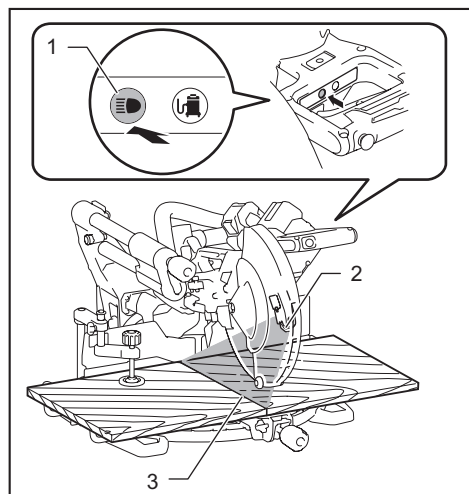
⚠️ PRECAUCIÓN: La lámpara no es a prueba de lluvia. No limpie la lámpara sumergiéndola en agua ni la use bajo la lluvia o en un área mojada. El hacerlo podría causar una descarga eléctrica y producir humo.

⚠️ PRECAUCIÓN: No toque el lente de la lámpara ya que éste llega a calentarse mucho cuando está encendida o poco después de haberla apagado. Esto podría provocar quemaduras.

⚠️ PRECAUCIÓN: Evite los impactos a la lámpara, ya que podrían causarle daños o acortar su vida útil.

⚠️ PRECAUCIÓN: No mire a la luz ni vea a la fuente de luz directamente.

La lámpara LED proyecta una luz sobre el disco de la sierra circular, y una sombra del disco cae sobre una pieza de trabajo y que funciona como un indicador de línea de corte libre de calibración. Oprima el botón de la lámpara para proyectar una luz. Aparece una línea en la cual el disco se encontrará con la superficie de la pieza de trabajo, profundizándose a medida que el disco se baja.



► 1. Botón de la lámpara 2. Lámpara 3. Línea de corte

El indicador ayuda a cortar una línea de corte existente dibujada en una pieza de trabajo.

1. Sujete la empuñadura y baje el disco de la sierra circular, para que una sombra densa del disco se arroje contra una pieza de trabajo.
2. Alinee una línea de corte dibujada en la pieza de trabajo con la línea de corte sombreada.
3. Ajuste los ángulos de inglete y los ángulos de bisel si es necesario.

NOTA: Asegúrese de apagar el interruptor de la lámpara después de usarla, porque encender la luz consume la energía de la batería.

NOTA: La luz se apaga automáticamente 5 minutos después de que interrumpe la operación.

Función eléctrica

Freno eléctrico

La herramienta está equipada con un freno eléctrico para el disco. Si de manera consistente la herramienta no cesa de funcionar rápidamente después de soltar el gatillo interruptor, lleve la herramienta a un centro de servicio Makita para que le den mantenimiento.

⚠️ PRECAUCIÓN: El sistema de frenado del disco no es un sustituto del protector del disco. Nunca use la herramienta sin un protector funcional del disco. El uso de un disco sin el protector puede ocasionar graves lesiones personales.

Control de velocidad constante

La herramienta está equipada con un control electrónico de velocidad que ayuda a mantener una velocidad de rotación constante del disco aun estando bajo carga. Una velocidad de rotación constante del disco dará como resultado un corte muy suave.

Función de inicio suave

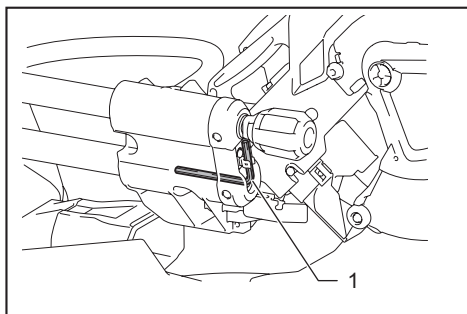
Esta función permite un arranque suave de la herramienta limitando la torsión durante la puesta en marcha.

MONTAJE

⚠️ ADVERTENCIA: Asegúrese siempre de que la herramienta esté apagada y el cartucho de batería extraído antes de realizar algún trabajo con la herramienta. No seguir esta indicación de retirar el cartucho de la batería de la herramienta puede que resulte en graves lesiones personales.

Almacenamiento de la llave Allen (hexagonal)

Cuando no la utilice, guarde la llave hexagonal como se muestra en la figura para evitar que se pierda.



► 1. Llave Allen (hexagonal)

Extracción e instalación del disco de la sierra

⚠ ADVERTENCIA: Siempre asegúrese de que la herramienta esté apagada y que el cartucho de batería haya sido extraído antes de desinstalar e instalar el disco de la sierra circular. El encendido accidental de la herramienta puede resultar en lesiones personales graves.

⚠ ADVERTENCIA: Utilice sólo la llave Makita provista para extraer e instalar el disco de la sierra circular. El no utilizar la llave podría ocasionar un apriete excesivo o insuficiente del perno de cabeza hexagonal y provocar lesiones personales graves.

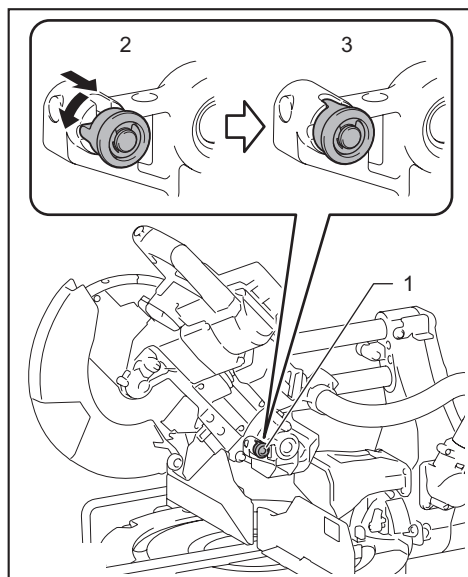
⚠ ADVERTENCIA: Nunca utilice ni sustituya las piezas que no se suministran con esta herramienta. El uso de tales piezas podría causar lesiones personales graves.

⚠ ADVERTENCIA: Después de instalar el disco de la sierra circular, asegúrese de que éste quede instalado firmemente. La sujeción suelta del disco de la sierra circular podría causar lesiones personales graves.

Extracción del disco

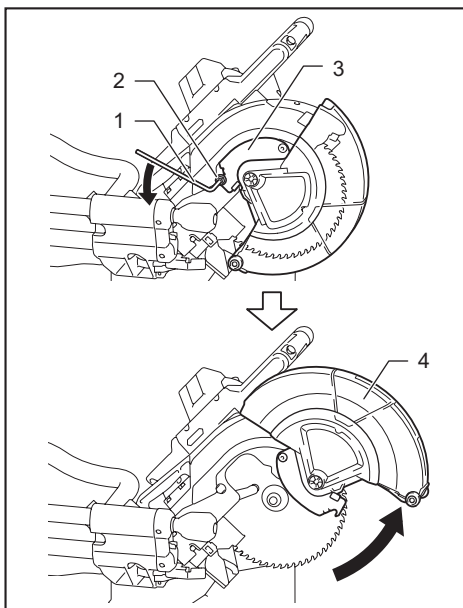
Para retirar el disco de la sierra circular, siga los pasos siguientes:

1. Bloquee el carro en la posición elevada tirando y girando la clavija de retención en una posición bloqueada.



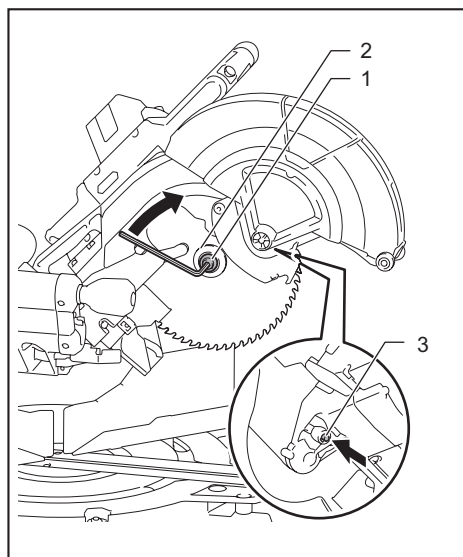
- 1. Clavija de retención 2. Posición desbloqueada 3. Posición bloqueada

2. Use la llave hexagonal para aflojar el perno hexagonal que sostiene la cubierta central. Luego, levante el protector del disco y la cubierta central.



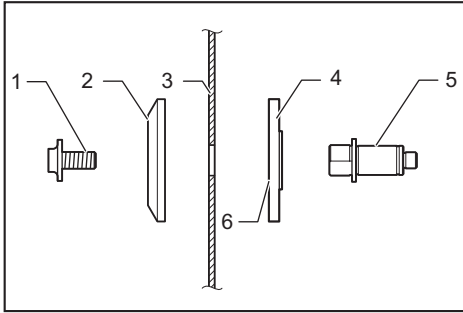
- 1. Llave hexagonal 2. Perno hexagonal 3. Cubierta central 4. Protector del disco

3. Presione el bloqueo de eje para bloquear el eje y use la llave hexagonal para aflojar el perno de cabeza hexagonal en el sentido de las manecillas del reloj. Después retire el perno de cabeza hexagonal, la brida exterior y el disco de la sierra circular.



- 1. Perno de cabeza hexagonal (rosca hacia la izquierda) 2. Brida exterior 3. Bloqueo de eje

4. Si la brida interior es extraída, instálela en el eje con su lado hueco orientado hacia el disco de la sierra circular. Si la brida se coloca incorrectamente, ésta rozará contra la máquina.



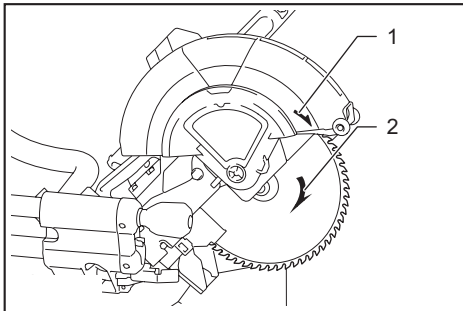
- ▶ 1. Perno de cabeza hexagonal (a mano izquierda)
- 2. Brida exterior 3. Disco de la sierra circular
- 4. Brida interior 5. Eje 6. Lado hueco

Instalación del disco

⚠PRECAUCIÓN: Asegúrese de instalar el disco de la sierra circular, de manera que la dirección de la flecha del disco coincida con la de la caja del disco. El no hacerlo podría ocasionar lesiones personales y causar daños a la herramienta y/o la pieza de trabajo.

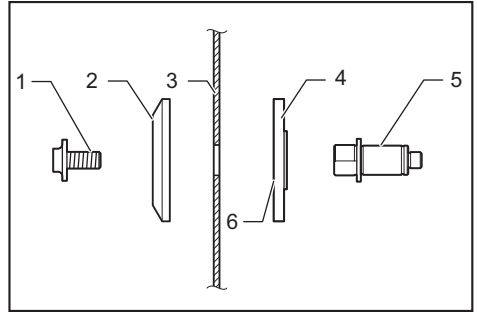
Para instalar el disco de la sierra circular, siga los pasos siguientes:

1. Instale el disco de la sierra circular cuidadosamente en la brida interior. Asegúrese de que la dirección de la flecha del disco de la sierra circular coincida con la dirección de la flecha de la caja del disco.



- ▶ 1. Flecha de la caja del disco 2. Flecha del disco de la sierra circular

2. Instale la brida exterior y el perno de cabeza hexagonal, y luego use la llave hexagonal para apretar el perno de cabeza hexagonal en sentido inverso al de las manecillas del reloj y firmemente mientras presiona el bloqueo del eje.



- ▶ 1. Perno de cabeza hexagonal (rosca hacia la izquierda) 2. Brida exterior 3. Disco de la sierra circular 4. Brida interior 5. Eje 6. Lado hueco

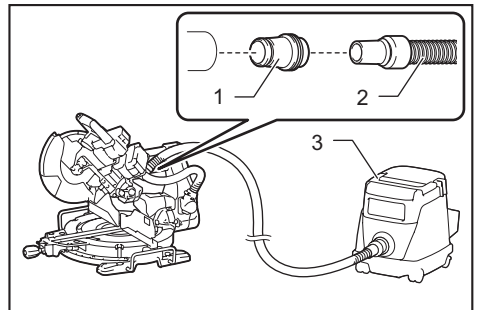
3. Regrese el protector del disco y la cubierta central a su posición original. Luego apriete el perno hexagonal en el sentido de las manecillas del reloj para asegurar la cubierta central.

4. Jale y gire la clavija de retención en una posición desbloqueada para liberar el carro de la posición levantada. Baje el carro y verifique que el protector del disco se mueva adecuadamente.

⚠PRECAUCIÓN: Asegúrese de que el bloqueo del eje haya liberado el eje antes de hacer el corte.

Conexión de una aspiradora

Cuando desee realizar una operación de corte limpia, conecte una aspiradora Makita a la boquilla para polvo (puerto superior para polvo) usando un manguito delantero 24 (accesorio opcional).

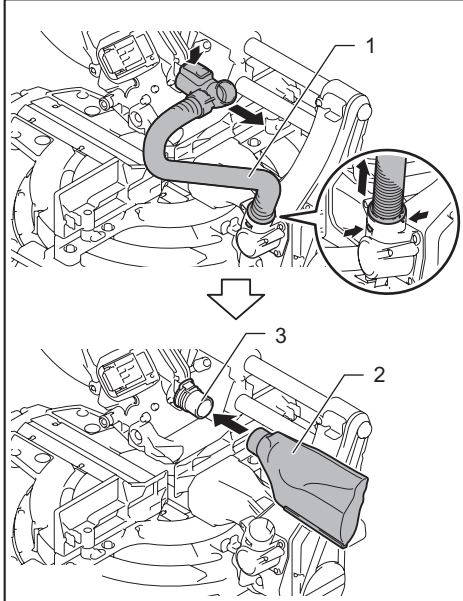


- ▶ 1. Manguitos delanteros 24 2. Manguera 3. Aspiradora

Bolsa recolectora de polvo

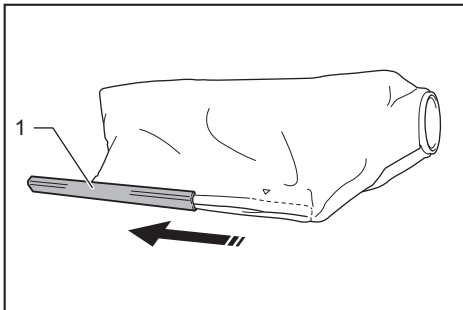
⚠PRECAUCIÓN: Cuando realice un corte, siempre coloque la bolsa recolectora de polvo o conecte una aspiradora para evitar los riesgos relacionados con el polvo.

El uso de la bolsa recolectora de polvo permite realizar operaciones de corte limpias y facilita la recolección de polvo. Para colocar la bolsa recolectora de polvo, retire la manguera de extracción de polvo de la herramienta y conecte la bolsa recolectora de polvo a la boquilla para polvo (puerto superior para polvo).



- 1. Manguera de extracción de polvo 2. Bolsa recolectora de polvo 3. Boquilla para polvo (puerto superior para polvo)

Cuando la bolsa recolectora de polvo se haya llenado casi a la mitad, retírela de la herramienta y abra el cierre. Vacíe el contenido de la bolsa recolectora de polvo golpeándola ligeramente a fin de remover las partículas adheridas en el interior que pudieran dificultar la recolección más adelante.

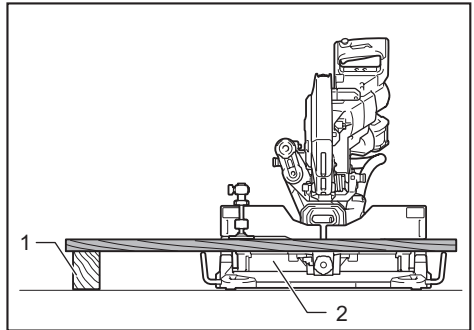


- 1. Cierre

Aseguramiento de la pieza de trabajo

⚠ADVERTENCIA: Es sumamente importante asegurar siempre la pieza de trabajo de manera correcta usando un tipo adecuado de prensa o topes para moldura de corona. El no hacerlo podría ocasionar lesiones personales graves y causar daños a la herramienta y/o la pieza de trabajo.

⚠ADVERTENCIA: Al cortar una pieza de trabajo de un tamaño mayor que la base de la sierra de inglete, la pieza deberá apoyarse sobre toda su longitud más allá de la base de apoyo, manteniendo la pieza nivelada. Un apoyo adecuado de la pieza de trabajo ayudará a evitar que el disco se trabe ocasionando un posible retroceso brusco que podría causar lesiones personales graves. No dependa solamente de las prensas vertical y/u horizontal que fijan la pieza de trabajo. Las piezas delgadas tienden a pandearse. Apoye la pieza de trabajo sobre su longitud completa para evitar que el disco se trabe, así como un posible RETROCESO BRUSCO.



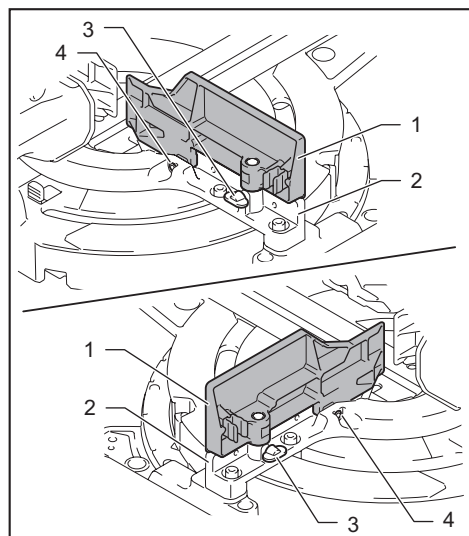
- 1. Apoyo 2. Base giratoria

Guías laterales

⚠ADVERTENCIA: Antes de operar la herramienta, asegúrese de que la guía superior esté firmemente asegurada.

⚠ADVERTENCIA: Antes de realizar un corte en bisel, asegúrese de que ninguna de las piezas de la herramienta, en especial el disco de la sierra, haga contacto con las guías superior e inferior cuando baje y levante totalmente la empuñadura en cualquier posición y al desplazar el carro a través de su rango completo de recorrido. Si la herramienta o el disco llegaran a hacer contacto con la guía, podría producirse un retroceso brusco o algún movimiento inesperado del material ocasionando lesiones personales graves.

Utilice las guías superiores para apoyar el material más arriba de las guías inferiores. Inserte la guía superior en el orificio de la guía inferior y apriete el tornillo de fijación.

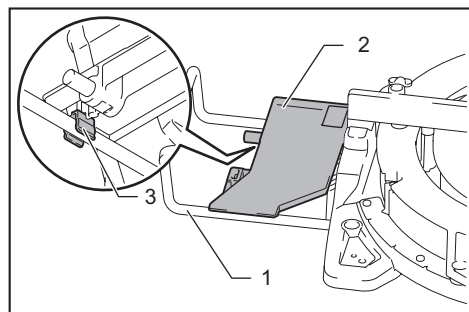


- 1. Guía superior 2. Guía inferior 3. Tornillo de fijación 4. Tornillo de ajuste

AVISO: Las guías inferiores vienen fijadas a la base de fábrica. No quite las guías inferiores.

AVISO: Si la guía superior sigue estando suelta después de apretar el tornillo de fijación, gire el tornillo de ajuste para cerrar el espacio. El tornillo de ajuste viene ajustado de fábrica. No tiene que usarlo a menos que se requiera.

Cuando no utilice la guía superior, puede almacenarla en el soporte. Use la horquilla en la guía superior para sujetarla en el soporte.

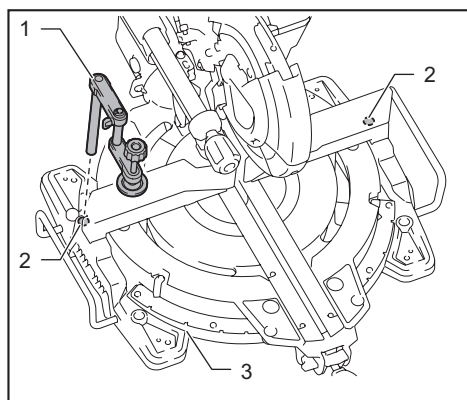


- 1. Soporte 2. Guía superior 3. Horquilla

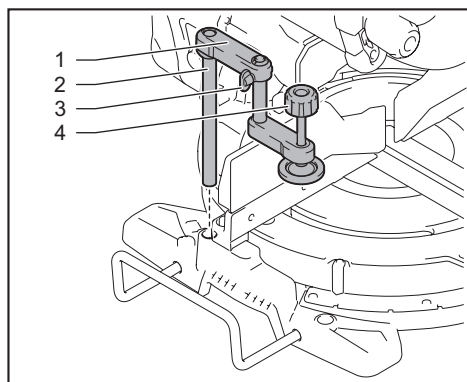
Presna vertical

⚠ADVERTENCIA: La pieza de trabajo deberá estar firmemente sujeta contra la base giratoria y la guía lateral con la prensa durante todas las operaciones. Si la pieza de trabajo no queda debidamente asegurada contra las guías, el material podría desplazarse durante la operación de corte ocasionando daños al disco de la sierra circular, y salir disparado causando la pérdida de control y lesiones personales graves.

La prensa vertical se puede instalar a sea del lado izquierdo o derecho de la base. Inserte la varilla de la prensa en el orificio de la base.



- 1. Prensa vertical 2. Orificio para la prensa vertical 3. Base



- 1. Brazo de la prensa 2. Varilla de la prensa 3. Tornillo de fijación 4. Seguro de la prensa

Posicione el brazo de la prensa según el grosor y la forma de la pieza de trabajo y asegúrelo apretando el tornillo. Si el tornillo de fijación hace contacto con el carro, instale la prensa vertical dentro de lado opuesto de la base. Asegúrese de que ninguna pieza de la herramienta haga contacto con la prensa al bajar por completo la empuñadura. Si alguna pieza hace contacto con la prensa, vuelva a posicionar la prensa. Presione la pieza de trabajo en forma horizontal contra las guías laterales y la base giratoria. Coloque la pieza de trabajo en la posición de corte deseada y asegúrela con firmeza ajustando el seguro de la prensa.

NOTA: Para un ajuste rápido de la pieza de trabajo, gire el seguro de la prensa 90° en sentido inverso al de las manecillas del reloj para poder moverlo hacia arriba y hacia abajo. Una vez ajustada la pieza de trabajo, gire el seguro de la prensa en el sentido de las manecillas del reloj para asegurarla.

Prensa horizontal

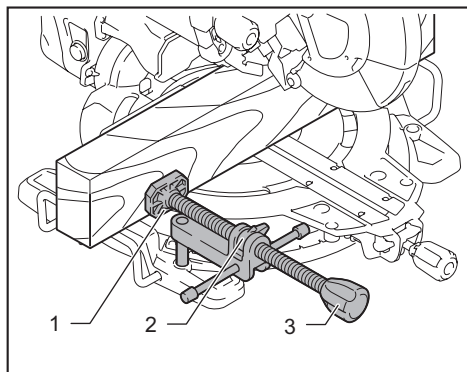
Accesorio opcional

⚠ADVERTENCIA: Gire siempre la tuerca de la prensa en el sentido de las manecillas del reloj hasta que la pieza de trabajo quede firmemente asegurada. Si la pieza de trabajo no queda debidamente asegurada, el material podría desplazarse durante la operación de corte ocasionando daños al disco de la sierra circular, y salir disparado causando la pérdida de control y lesiones personales graves.

⚠ADVERTENCIA: Utilice siempre la prensa horizontal cuando corte piezas de trabajo delgadas, tales como zócalos, contra la guía.

⚠PRECAUCIÓN: Cuando corte una pieza de trabajo con un grosor de 20 mm (13/16") o menos, asegúrese de usar un bloque espaciador para asegurar la pieza de trabajo.

La prensa horizontal se puede instalar ya sea del lado izquierdo o derecho de la base. Cuando realice cortes en inglete de 22,5° o más, instale la prensa horizontal del lado opuesto a la dirección en la que la base giratoria vaya a girar.



- 1. Placa de la prensa 2. Tuerca de la prensa
3. Seguro de la prensa

Si gira la tuerca de la prensa en sentido inverso al de las manecillas del reloj, la prensa se liberará y podrá desplazarse rápidamente hacia adentro y hacia afuera. Para sujetar la pieza de trabajo, empuje el seguro de la prensa hacia adelante hasta que la placa de la prensa haga contacto con la pieza de trabajo y gire la tuerca de la prensa en el sentido de las manecillas del reloj. Luego gire el seguro de la prensa en el sentido de las manecillas del reloj para asegurar la pieza de trabajo.

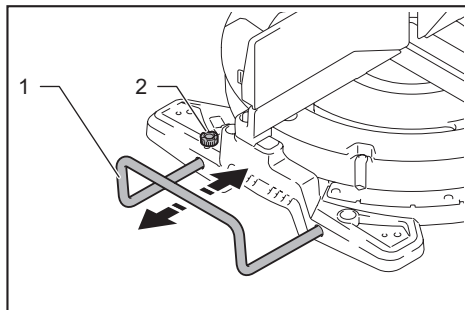
NOTA: El ancho máximo de la pieza de trabajo que puede asegurarse con la prensa horizontal es de 228 mm (9").

Soportes

⚠ADVERTENCIA: Apoye siempre una pieza de trabajo de gran tamaño de tal forma que esté nivelada con la superficie de la base giratoria para un corte preciso y para evitar una pérdida peligrosa del control de la herramienta. Un apoyo adecuado de la pieza de trabajo ayudará a evitar que el disco se trabe ocasionando un posible retroceso brusco que podría causar lesiones personales graves.

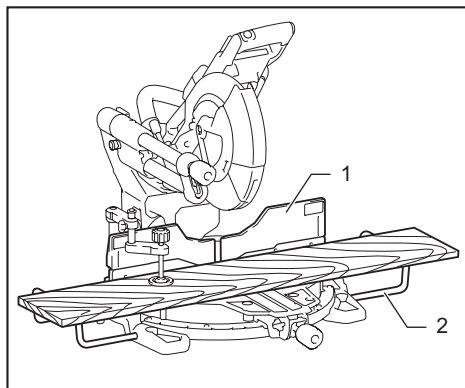
⚠ADVERTENCIA: Antes de la operación de corte, asegúrese siempre de que los soportes estén asegurados por los tornillos.

Para sostener piezas de trabajo largas de forma horizontal, la herramienta cuenta con soportes a ambos lados. Afloje los tornillos y extienda los soportes a una longitud adecuada para sostener la pieza de trabajo. Luego apriete los tornillos.



- 1. Soporte 2. Tornillo

Cuando corte, coloque la pieza de trabajo en forma horizontal contra las guías laterales.



- 1. Guía lateral 2. Soporte

Base inferior

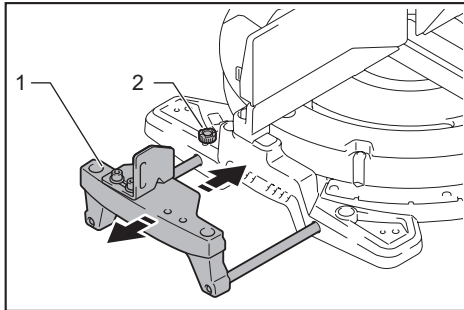
Accesorio opcional

⚠ADVERTENCIA: Apoye siempre una pieza de trabajo de gran tamaño de tal forma que esté nivelada con la superficie de la base giratoria para un corte preciso y para evitar una pérdida peligrosa del control de la herramienta. Un apoyo adecuado de la pieza de trabajo ayudará a evitar que el disco se trabaje ocasionando un posible retroceso brusco que podría causar lesiones personales graves.

⚠ADVERTENCIA: Antes de la operación de corte, asegúrese siempre de que una base inferior esté asegurada por el tornillo.

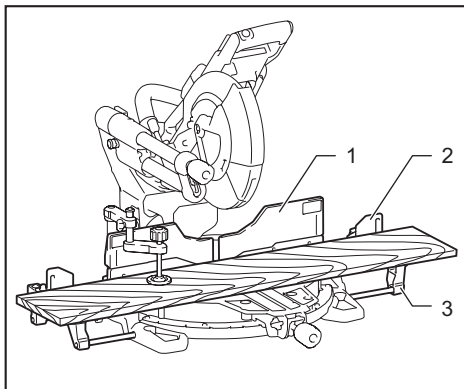
NOTA: Para obtener detalles sobre la instalación, siga las instrucciones proporcionadas con una base inferior opcional.

Instale una base inferior opcional en la base para sujetar piezas de trabajo largas de forma más segura. Afloje el tornillo y extienda la base inferior a una longitud adecuada para sostener la pieza de trabajo. Luego apriete el tornillo.



► 1. Base inferior 2. Tornillo

Al cortar, coloque la pieza de trabajo plana contra la guía lateral y la guía auxiliar de la base inferior.

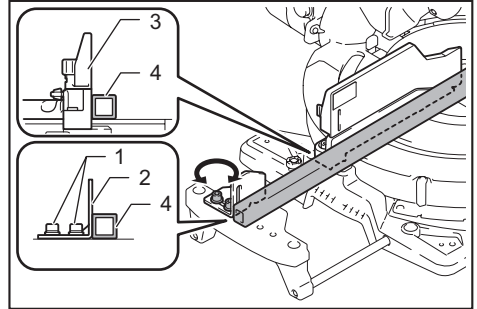


► 1. Guía lateral 2. Guía auxiliar 3. Base inferior

Ajuste de la guía auxiliar

Ajuste la guía auxiliar sobre la base inferior si no está alineada con la guía lateral.

1. Afloje los pernos que sujetan la guía auxiliar con la llave hexagonal.
2. Coloque una barra rígida recta, como un elemento cuadrado de acero, horizontalmente contra la guía lateral.
3. Mientras la barra está horizontal contra la guía lateral, repositone la guía auxiliar de manera que la cara de la guía auxiliar quede horizontal contra la barra. Una vez hecho esto, apriete los pernos.



► 1. Perno 2. Guía auxiliar 3. Guía lateral 4. Barra rígida

OPERACIÓN

Esta herramienta está diseñada para cortar productos de madera. Con los discos de la sierra apropiados y originales de Makita también se pueden cortar los siguientes materiales:

- Productos de aluminio

Consulte nuestro sitio web o póngase en contacto con su distribuidor local de Makita para información sobre los discos de sierra circular correctos para emplearse con el material que se va a cortar.

⚠ADVERTENCIA: Asegúrese de que el disco de la sierra no esté haciendo contacto con la pieza de trabajo u otro material antes de activar el interruptor. Encender la herramienta mientras el disco está haciendo contacto con la pieza de trabajo puede ocasionar retrocesos bruscos y lesiones personales graves.

⚠ADVERTENCIA: Tras una operación de corte, no levante el disco de la sierra hasta que éste se haya detenido por completo. Levantar un disco que aún se encuentra girando puede causar lesiones personales graves y daños a la pieza de trabajo.

⚠ADVERTENCIA: No realice ningún ajuste en la herramienta, tal como mover la perilla, el pomo y las palancas, mientras el disco de la sierra está girando. El hacer ajustes mientras el disco está girando podría ocasionar lesiones personales graves.

AVISO: Antes de usar la herramienta, asegúrese de desbloquear la clavija de retención y liberar la empuñadura de la posición hacia abajo.

AVISO: No haga excesiva presión sobre la empuñadura mientras corta. Demasiada fuerza podría sobrecargar el motor y/o disminuir la eficacia del corte. La fuerza ejercida sobre la empuñadura debe ser sólo la necesaria para realizar un corte parejo sin disminuir de manera significativa la velocidad del disco.

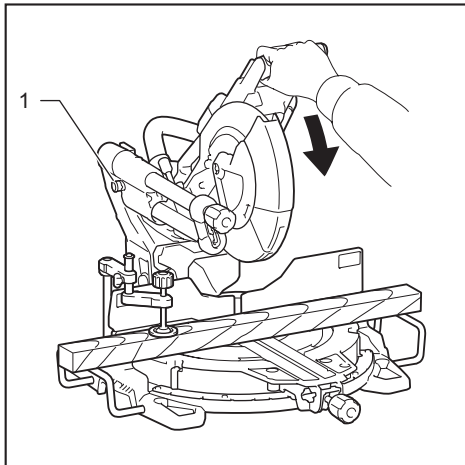
AVISO: Presione suavemente la empuñadura para realizar el corte. Si la empuñadura es oprimida con fuerza, o si aplica presión lateral, el disco vibrará y dejará una marca (marca de sierra) en la pieza de trabajo y la precisión del corte se verá perjudicada.

AVISO: Cuando realice un corte por deslizamiento, empuje suavemente el carro hacia la guía lateral sin detenerse. Si el carro se detiene durante el corte, quedará una marca en la pieza de trabajo y la precisión de dicho corte se verá afectada.

Corte con prensa

ADVERTENCIA: Bloquee siempre el movimiento de deslizamiento del carro cuando realice un corte con prensa. El cortar sin haberlo bloqueado podría causar un retroceso brusco ocasionando lesiones personales graves.

Las piezas de trabajo de hasta 71 mm (2-13/16") de alto y 155 mm (6-1/8") de ancho pueden ser cortadas de la siguiente manera.



► 1. Clavija de retención

1. Empuje el carro hacia la guía lateral hasta que se detenga y bloquéelo con la clavija de retención.
2. Asegure la pieza de trabajo con el tipo adecuado de prensa.
3. Encienda la herramienta sin que el disco de la sierra circular haga contacto alguno y espere a que éste adquiera velocidad completa antes de bajar la empuñadura.

4. Luego baje lentamente la empuñadura a la posición completamente hacia abajo para realizar el corte en la pieza de trabajo.

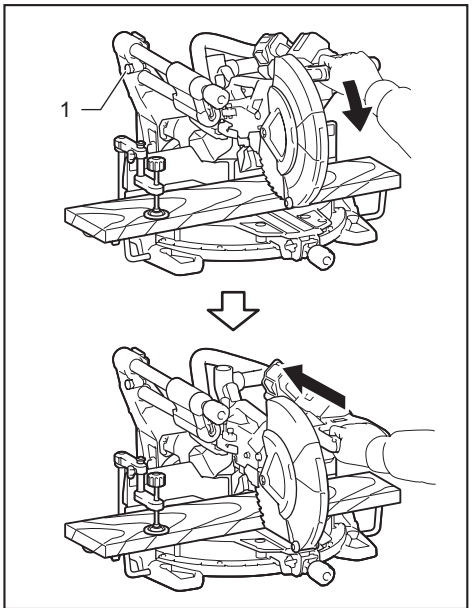
5. Una vez finalizado el corte, apague la herramienta y espere hasta que el disco de la sierra circular se haya detenido por completo antes de regresar el disco de la sierra circular a su posición completamente elevada.

Corte por deslizamiento (empuje) (corte de piezas de trabajo anchas)

ADVERTENCIA: Siempre que realice un corte por deslizamiento, jale primero el carro por completo hacia usted y presione la empuñadura completamente hacia abajo, y luego empuje el carro hacia la guía lateral. Nunca inicie el corte con el carro sin haberlo jalado completamente hacia usted. Si realiza cortes por deslizamiento sin haber jalado el carro completamente hacia usted, podrían generarse retrocesos bruscos inesperados causando lesiones personales graves.

ADVERTENCIA: Nunca intente realizar un corte por deslizamiento mientras jala el carro hacia usted. Jalar el carro hacia usted mientras se realiza un corte puede ocasionar retrocesos bruscos inesperados causando lesiones personales graves.

ADVERTENCIA: Nunca realice cortes por deslizamiento con la empuñadura bloqueada en la posición hacia abajo.



► 1. Clavija de retención

1. Desbloquee la clavija de retención para que el carro pueda deslizarse libremente.
2. Asegure la pieza de trabajo con el tipo adecuado de prensa.
3. Jale el carro por completo hacia usted.

- Encienda la herramienta sin que el disco de la sierra haga contacto alguno y espere hasta que ésta alcance la velocidad máxima.
- Presione hacia abajo la empuñadura y **empuje el carro hacia la guía lateral y a través de la pieza de trabajo**.
- Una vez finalizado el corte, apague la herramienta y **espere hasta que el disco de la sierra se haya detenido por completo** antes de regresar el disco a su posición completamente elevada.

Corte en inglete

Consulte la sección para ajustar el ángulo de inglete.

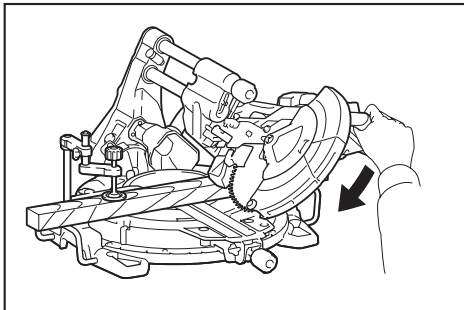
Corte en bisel

⚠ADVERTENCIA: Una vez que haya ajustado el disco para realizar un corte en bisel, asegúrese de que el carro y el disco de la sierra puedan desplazarse libremente a través del rango completo del corte previsto antes de operar la herramienta. La interrupción del trayecto del carro o disco durante la operación de corte puede ocasionar retrocesos bruscos causando lesiones personales graves.

⚠ADVERTENCIA: Mientras realiza cortes en bisel, mantenga las manos fuera de la ruta del disco de la sierra. El ángulo del disco puede confundir al operador respecto a la ruta actual del disco mientras se realiza el corte haciendo que tenga contacto con el disco lo cual causará lesiones personales graves.

⚠ADVERTENCIA: El disco de la sierra no deberá levantarse hasta que se haya detenido por completo. El fragmento cortado de una pieza de trabajo durante un corte en bisel podría quedar colocado contra el disco de la sierra. Si el disco se eleva mientras está girando, el fragmento cortado podría ser proyectado por el disco causando que se fragmente, lo que podría ocasionar lesiones personales graves.

AVISO: Al presionar la empuñadura hacia abajo, hágalo paralelamente con el disco. Si se aplica fuerza de manera perpendicular a la base giratoria o si la dirección de la presión es modificada durante el corte, la precisión del corte se verá afectada.



- Retire la guía superior del lado donde vaya a inclinar el carro.
- Desbloquee la clavija de retención.

- Ajuste el ángulo de bisel conforme al procedimiento explicado en la sección para ajuste del ángulo de bisel. Luego apriete el pomo.
- Asegure la pieza de trabajo con una prensa.
- Jale el carro por completo hacia usted.
- Encienda la herramienta sin que el disco haga contacto alguno y espere hasta que ésta alcance la velocidad máxima.
- Baje suavemente la empuñadura hasta la posición completamente hacia abajo aplicando presión paralelamente con el disco y **empuje el carro hacia la guía lateral para cortar la pieza de trabajo**.
- Una vez finalizado el corte, apague la herramienta y **espere hasta que el disco se haya detenido por completo** antes de regresar el disco a su posición completamente elevada.

Corte compuesto

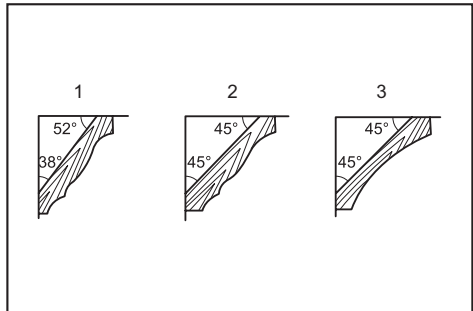
El corte compuesto es un proceso en el que el ángulo de bisel se hace al mismo tiempo en el que el ángulo de inglete está siendo cortado en la pieza de trabajo. El corte compuesto puede realizarse en el ángulo que se muestra en la tabla.

Ángulo de inglete	Ángulo de bisel
Izquierdo y derecho 0° - 45°	Izquierdo y derecho 0° - 45°

Cuando realice un corte compuesto, consulte la sección para corte con prensa, corte por deslizamiento (empuje), corte en inglete y corte en bisel.

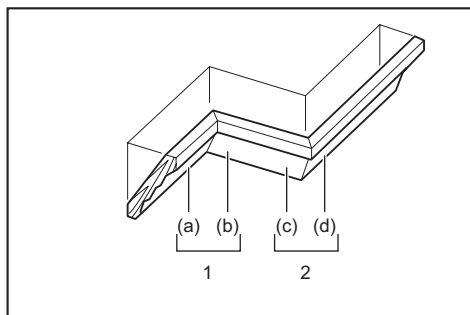
Corte de molduras corona y cóncava

Las molduras corona y cóncava pueden ser cortadas con una sierra de inglete telescópica, colocando las molduras sobre la base giratoria. Existen dos tipos comunes de molduras corona y un tipo de moldura cóncava; moldura corona de ángulo de pared de 52/38°, moldura corona de ángulo de pared de 45° y moldura cóncava de ángulo de pared de 45°.

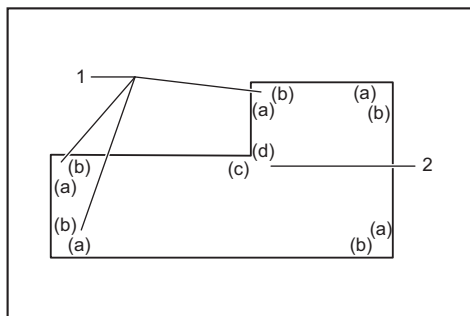


- 1. Moldura tipo corona de 52/38° 2. Moldura tipo corona de 45° 3. Moldura tipo cóncava de 45°

Existen juntas de molduras corona y molduras cóncavas que se realizan para ser insertadas en rincones "Internos" de 90° ((a) y (b) en la figura) y rincones "Externos" de 90° ((c) y (d) en la figura).



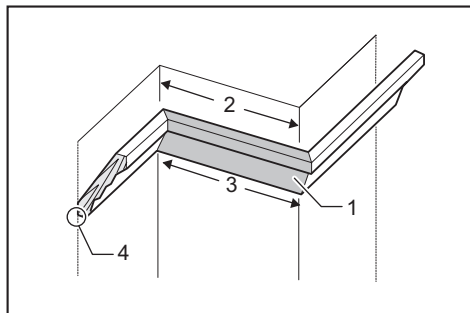
1. Rincón interno 2. Rincón externo



1. Rincón interno 2. Rincón externo

Medición

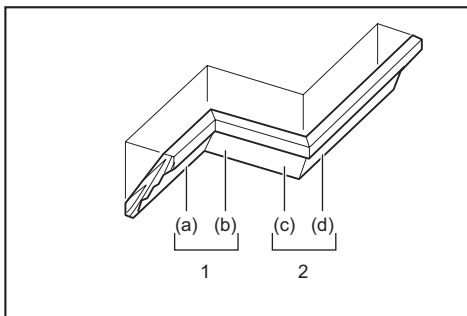
Mida el ancho de la pared y ajuste la anchura de la pieza de trabajo de acuerdo con éste. Siempre asegúrese de que el ancho del borde de contacto con la pared de la pieza de trabajo sea el mismo que la longitud de la pared.



► 1. Pieza de trabajo 2. Anchura de la pared
3. Anchura de la pieza de trabajo 4. Borde de contacto con la pared

Siempre haga pruebas de corte con varias piezas a fin de verificar los ángulos de la sierra. Cuando corte molduras corona y cóncava, fije el ángulo de bisel y el ángulo de inglete tal como se indica en la tabla (A), y posicione las molduras en la parte superior de la base de la sierra tal como se indica en la tabla (B).

En caso de corte en bisel izquierdo



1. Rincón interno 2. Rincón externo

Tabla (A)

-	Posición de la moldura en la figura	Ángulo de bisel		Ángulo de inglete	
		Tipo de 52/38°	Tipo de 45°	Tipo de 52/38°	Tipo de 45°
Para rincón interno	(a)	Izquierda 33,9°	Izquierda 30°	Derecha 31,6°	Derecha 35,3°
	(b)			Izquierda 31,6°	Izquierda 35,3°
Para rincón externo	(c)			Derecha 31,6°	Derecha 35,3°
	(d)				

Tabla (B)

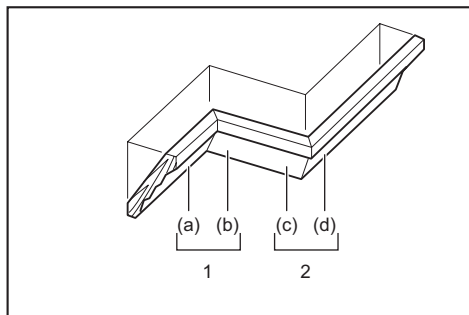
-	Posición de la moldura en la figura	Borde de la moldura contra la guía lateral	Pieza terminada
Para rincón interno	(a)	El borde de contacto con el techo deberá estar contra la guía lateral.	La pieza terminada estará del lado izquierdo del disco.
	(b)	El borde de contacto con la pared deberá estar contra la guía lateral.	La pieza terminada estará del lado derecho del disco.
Para rincón externo	(c)	El borde de contacto con el techo deberá estar contra la guía lateral.	La pieza terminada estará del lado izquierdo del disco.
	(d)	El borde de contacto con la pared deberá estar contra la guía lateral.	La pieza terminada estará del lado derecho del disco.

Ejemplo:

En caso de cortar una moldura tipo corona de 52/38° para la posición (a) en la figura de arriba:

- Incline y asegure la posición del ángulo de bisel a 33,9° a la IZQUIERDA.
- Ajuste y asegure la posición del ángulo de inglete a 31,6° a la DERECHA.
- Coloque la moldura corona con la superficie ancha de la parte trasera (oculta) sobre la base giratoria con el BORDE DE CONTACTO CON EL TECHO apoyado sobre la guía lateral de la sierra.
- La pieza terminada a ser utilizada siempre debe estar del lado IZQUIERDO del disco luego de terminado el corte.

En caso de un corte en bisel derecho



1. Rincón interno 2. Rincón externo

Tabla (A)

-	Posición de la moldura en la figura	Ángulo de bisel		Ángulo de inglete	
		Tipo de 52/38°	Tipo de 45°	Tipo de 52/38°	Tipo de 45°
Para rincón interno	(a)	Derecha 33,9°	Derecha 30°	Derecha 31,6°	Derecha 35,3°
	(b)			Izquierda 31,6°	Izquierda 35,3°
Para rincón externo	(c)			Derecha 31,6°	Derecha 35,3°
	(d)				

Tabla (B)

-	Posición de la moldura en la figura	Borde de la moldura contra la guía lateral	Pieza terminada
Para rincón interno	(a)	El borde de contacto con la pared deberá estar contra la guía lateral.	La pieza terminada estará del lado derecho del disco.
	(b)	El borde de contacto con el techo deberá estar contra la guía lateral.	
Para rincón externo	(c)	El borde de contacto con la pared deberá estar contra la guía lateral.	La pieza terminada estará del lado izquierdo del disco.
	(d)	El borde de contacto con la pared deberá estar contra la guía lateral.	

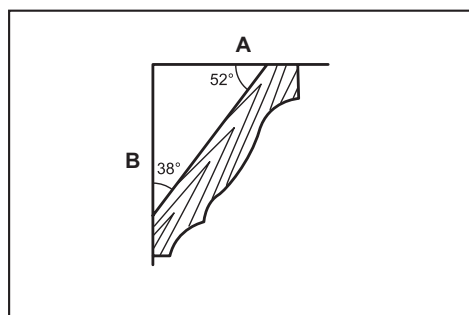
Ejemplo:

En caso de cortar una moldura tipo corona de 52/38° para la posición (a) en la figura de arriba:

- Incline y asegure la posición del ángulo de bisel a 33,9° a la DERECHA.
- Ajuste y asegure la posición del ángulo de inglete a 31,6° a la DERECHA.
- Coloque la moldura de corona con la superficie ancha de la parte trasera (oculta) hacia abajo sobre la base giratoria con el BORDE DE CONTACTO CON LA PARED apoyado contra la guía lateral en la sierra.
- La pieza terminada que se va a utilizar siempre deberá estar del lado DERECHO del disco una vez realizado el corte.

Ajustes del ángulo de inglete y de bisel

De la pared al ángulo de la moldura corona: 52°/38°



1	2	3
60	43.0	46.8
61	42.8	46.3
62	42.5	45.7
63	42.2	45.1
64	41.9	44.6
65	41.7	44.0
66	41.4	43.5
67	41.1	42.9
68	40.8	42.4
69	40.5	41.9
70	40.2	41.3
71	39.9	40.8
72	39.6	40.3
73	39.3	39.8
74	39.0	39.2
75	38.7	38.7
76	38.4	38.2
77	38.1	37.7
78	37.8	37.2
79	37.4	36.8
80	37.1	36.3
81	36.8	35.8
82	36.5	35.3
83	36.2	34.8
84	35.8	34.4
85	35.5	33.9
86	35.2	33.4
87	34.9	33.0
88	34.5	32.5
89	34.2	32.1
90	33.9	31.6
91	33.5	31.2
92	33.2	30.7
93	32.8	30.3
94	32.5	29.9
95	32.2	29.4
96	31.8	29.0
97	31.5	28.6
98	31.1	28.2
99	30.8	27.7
100	30.4	27.3

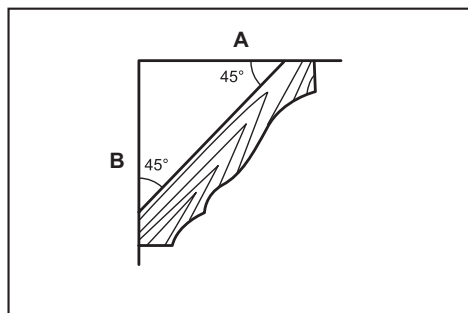
1	2	3
101	30.1	26.9
102	29.7	26.5
103	29.4	26.1
104	29.0	25.7
105	28.7	25.3
106	28.3	24.9
107	28.0	24.5
108	27.6	24.1
109	27.2	23.7
110	26.9	23.3
111	26.5	22.9
112	26.1	22.6
113	25.8	22.2
114	25.4	21.8
115	25.0	21.4
116	24.7	21.0
117	24.3	20.7
118	23.9	20.3
119	23.6	19.9
120	23.2	19.6
121	22.8	19.2
122	22.5	18.8
123	22.1	18.5
124	21.7	18.1
125	21.3	17.8
126	21.0	17.4
127	20.6	17.1
128	20.2	16.7
129	19.8	16.4
130	19.5	16.0
131	19.1	15.7
132	18.7	15.3
133	18.3	15.0
134	17.9	14.6
135	17.6	14.3
136	17.2	14.0
137	16.8	13.6
138	16.4	13.3
139	16.0	13.0
140	15.6	12.8

1	2	3
141	15.3	12.3
142	14.9	12.0
143	14.5	11.6
144	14.1	11.3
145	13.7	11.0
146	13.3	10.7
147	12.9	10.3
148	12.5	10.0
149	12.2	9.7
150	11.8	9.4
151	11.4	9.0
152	11.0	8.7
153	10.8	8.4
154	10.2	8.1
155	9.8	7.8
156	9.4	7.5
157	9.0	7.1
158	8.6	6.8
159	8.3	6.5
160	7.9	6.2
161	7.5	5.9
162	7.1	5.6
163	6.7	5.3
164	6.3	4.9
165	5.9	4.6
166	5.5	4.3
167	5.1	4.0
168	4.7	3.7
169	4.3	3.4
170	3.9	3.1
171	3.5	2.8
172	3.2	2.5
173	2.8	2.2
174	2.4	1.8
175	2.0	1.5
176	1.6	1.2
177	1.2	0.9
178	0.8	0.6
179	0.4	0.3
180	0.0	0.0

A Lado del techo B Lado de la pared

1. Ángulo de la pared (grados) 2. Ángulo de bisel (grados) 3. Ángulo de inglete (grados)

De la pared al ángulo de la moldura corona: 45°



	1	2	3
60	37.8	50.8	
61	37.5	50.2	
62	37.3	49.6	
63	37.1	49.1	
64	36.8	48.5	
65	36.6	48.0	
66	36.4	47.4	
67	36.1	46.9	
68	35.9	46.4	
69	35.6	45.8	
70	35.4	45.3	
71	35.1	44.8	
72	34.9	44.2	
73	34.6	43.7	
74	34.4	43.2	
75	34.1	42.7	
76	33.9	42.1	
77	33.6	41.6	
78	33.3	41.1	
79	33.1	40.6	
80	32.8	40.1	
81	32.5	39.6	
82	32.3	39.1	
83	32.0	38.6	
84	31.7	38.1	
85	31.4	37.7	
86	31.1	37.2	
87	30.9	36.7	
88	30.6	36.2	
89	30.3	35.7	
90	30.0	35.3	
91	29.7	34.8	
92	29.4	34.3	
93	29.1	33.9	
94	28.8	33.4	
95	28.5	32.9	
96	28.2	32.5	
97	27.9	32.0	
98	27.6	31.6	
99	27.3	31.1	
100	27.0	30.7	

	1	2	3
101	26.7	30.2	
102	26.4	29.8	
103	26.1	29.4	
104	25.8	28.9	
105	25.5	28.5	
106	25.2	28.1	
107	24.9	27.6	
108	24.6	27.2	
109	24.2	26.8	
110	23.9	26.3	
111	23.6	25.9	
112	23.3	25.5	
113	23.0	25.1	
114	22.7	24.7	
115	22.3	24.3	
116	22.0	23.8	
117	21.7	23.4	
118	21.4	23.0	
119	21.0	22.6	
120	20.7	22.2	
121	20.4	21.8	
122	20.0	21.4	
123	19.7	21.0	
124	19.4	20.6	
125	19.1	20.2	
126	18.7	19.8	
127	18.4	19.4	
128	18.1	19.0	
129	17.7	18.6	
130	17.4	18.2	
131	17.1	17.9	
132	16.7	17.5	
133	16.4	17.1	
134	16.0	16.7	
135	15.7	16.3	
136	15.4	15.9	
137	15.0	15.6	
138	14.7	15.2	
139	14.3	14.8	
140	14.0	14.4	

	1	2	3
141	13.7	14.1	
142	13.3	13.7	
143	13.0	13.3	
144	12.6	12.9	
145	12.3	12.6	
146	11.9	12.2	
147	11.6	11.8	
148	11.2	11.5	
149	10.9	11.1	
150	10.5	10.7	
151	10.2	10.4	
152	9.8	10.0	
153	9.5	9.6	
154	9.2	9.3	
155	8.8	8.9	
156	8.5	8.5	
157	8.1	8.2	
158	7.8	7.8	
159	7.4	7.5	
160	7.1	7.1	
161	6.7	6.7	
162	6.4	6.4	
163	6.0	6.0	
164	5.6	5.7	
165	5.3	5.3	
166	4.9	5.0	
167	4.6	4.6	
168	4.2	4.3	
169	3.9	3.9	
170	3.5	3.5	
171	3.2	3.2	
172	2.8	2.8	
173	2.5	2.5	
174	2.1	2.1	
175	1.8	1.8	
176	1.4	1.4	
177	1.1	1.1	
178	0.7	0.7	
179	0.4	0.4	
180	0.0	0.0	

A Lado del techo B Lado de la pared

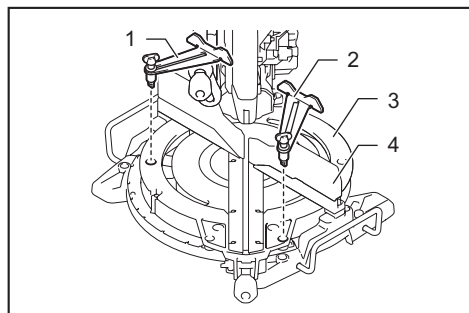
1. Ángulo de la pared (grados) 2. Ángulo de bisel (grados) 3. Ángulo de inglete (grados)

Tope para moldura de corona

Accesorio opcional

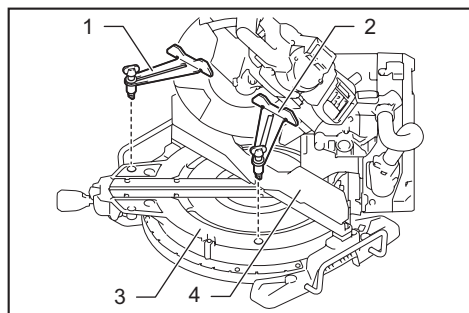
Los topes para moldura de corona permiten cortar más fácilmente una moldura de corona sin tener que inclinar el disco de la sierra. Instálelos en la base giratoria tal como se muestra en las ilustraciones.

A un ángulo de inglete de 45° derecho



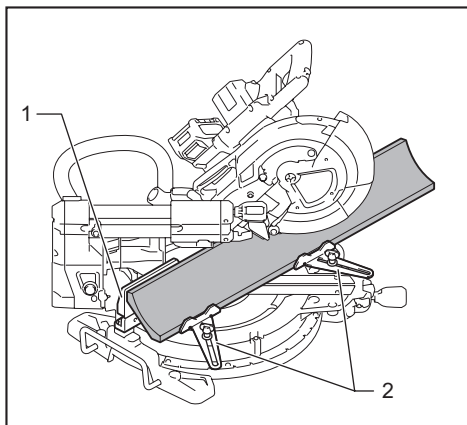
- 1. Tope para moldura de corona | 2. Tope para moldura de corona D | 3. Base giratoria | 4. Guía lateral

A un ángulo de inglete de 45° izquierdo

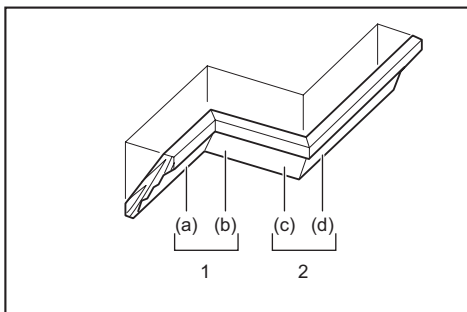


- 1. Tope para moldura de corona | 2. Tope para moldura de corona D | 3. Base giratoria | 4. Guía lateral

Coloque la moldura de corona con el BORDE DE CONTACTO CON LA PARED apoyado contra la guía lateral y el BORDE DE CONTACTO CON EL TECHO apoyado contra los topes para moldura de corona tal como se muestra en la ilustración. Ajuste los topes para moldura de corona según el tamaño de la moldura de corona. Apriete los tornillos para asegurar los topes para moldura de corona. Consulte la tabla (C) para ver el ángulo de inglete.



- 1. Guía lateral | 2. Tope para moldura de corona

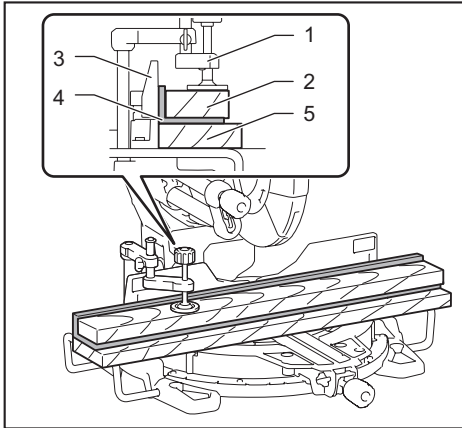


1. Rincón interno | 2. Rincón externo

Tabla (C)

-	Posición de la moldura en la figura	Ángulo de inglete	Pieza terminada
Para rincón interno	(a)	Derecha 45°	Se conserva el lado derecho del disco
	(b)	Izquierda 45°	Se conserva el lado izquierdo del disco
Para rincón externo	(c)		Se conserva el lado derecho del disco
	(d)	Derecha 45°	Se conserva el lado izquierdo del disco

Corte de extrusión de aluminio



- 1. Prensa 2. Bloque espaciador 3. Guía lateral
4. Extrusión de aluminio 5. Bloque espaciador

Cuando asegure extrusiones de aluminio, utilice bloques espaciadores o piezas de desecho tal como se muestra en la figura para evitar la deformación del aluminio. Utilice un lubricante de corte cuando corte la extrusión de aluminio para evitar la acumulación de material de aluminio en el disco de la sierra circular.

⚠ADVERTENCIA: Nunca intente cortar extrusiones de aluminio gruesas o redondas. Las extrusiones de aluminio gruesas o redondas pueden ser difíciles de asegurar y la pieza de trabajo podría soltarse durante la operación de corte ocasionando la pérdida de control y lesiones personales graves.

Corte de ranuras

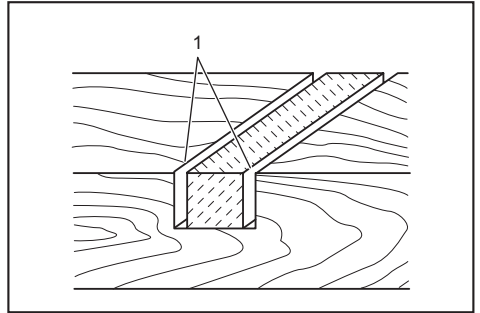
⚠ADVERTENCIA: No intente realizar este tipo de corte al usar un tipo de disco más ancho o discos para corte de ranuras. Intentar realizar un corte de ranura con un disco más ancho o con discos para cortes tipo ranura podría ocasionar resultados inesperados en el corte, así como retrocesos bruscos que resulten en lesiones personales graves.

⚠ADVERTENCIA: Asegúrese de regresar el brazo de retención a la posición original al realizar un tipo de corte que no sea de ranura. Intentar realizar un corte con el brazo de retención en la posición incorrecta podría ocasionar resultados inesperados en el corte, así como retrocesos bruscos que resulten en lesiones personales graves.

Para realizar un corte de ranuras, haga lo siguiente:

1. Ajuste la posición del límite inferior del disco de la sierra circular con el tornillo de ajuste y el brazo de retención para restringir la profundidad de corte del disco de la sierra circular. Consulte la sección para el brazo de retención.

2. Tras ajustar la posición del límite inferior del disco de la sierra circular, haga dos cortes paralelos a todo lo largo del ancho de la pieza de trabajo usando un corte por deslizamiento (empuje).



- 1. Corte de ranura con disco

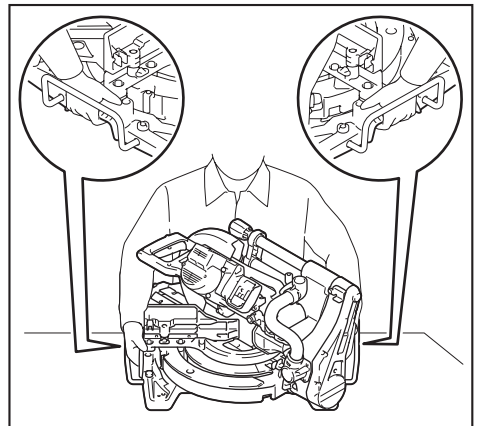
3. Retire el material de la pieza de trabajo que haya quedado en las ranuras con un cincel.

Transporte de la herramienta

Antes de transportar la herramienta, cerciórese de retirar el cartucho de batería y que todas las piezas móviles de la sierra de inglete estén aseguradas. Verifique siempre lo siguiente:

- Que se haya retirado el cartucho de batería.
- Que el carro esté posicionado en un ángulo de bisel de 0° y asegurado.
- Que el carro se haya bajado y bloqueado.
- Que el carro se haya deslizado por completo hacia las guías laterales y esté bloqueado.
- Que la base giratoria esté posicionada totalmente en el ángulo de inglete derecho y asegurada.
- Que los soportes estén guardados y asegurados.

Transporte la herramienta sosteniendo ambos lados de la base.



⚠ADVERTENCIA: La clavija de retención para la elevación del carro debe usarse únicamente para fines de transporte y almacenamiento y no para ninguna operación de corte. El uso de la clavija de retención para operaciones de corte puede causar un movimiento inesperado del disco de la sierra circular, resultando en retrocesos bruscos y lesiones personales graves.

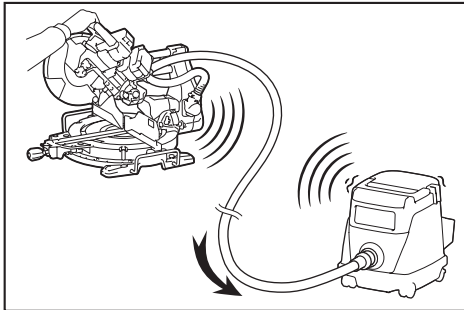
⚠PRECAUCIÓN: Asegúrese siempre de que todas las partes móviles se encuentran fijas antes de transportar la herramienta. Durante el transporte de la herramienta, el desplazamiento o deslizamiento de alguna de sus partes podría provocar la pérdida de control o equilibrio ocasionando lesiones personales.

⚠PRECAUCIÓN: Asegúrese de que la elevación del carro quede debidamente bloqueada por su parte inferior mediante la clavija de retención. Si la clavija de retención no se acopla adecuadamente, el carro podría brincar hacia arriba súbitamente y ocasionar una lesión personal.

FUNCIÓN DE ACTIVACIÓN INALÁMBRICA

Lo que puede hacer con la función de activación inalámbrica

La función de activación inalámbrica permite una operación limpia y cómoda. Si conecta a la herramienta una aspiradora compatible, podrá hacer que ésta funcione automáticamente al activar el interruptor de la herramienta.



Para hacer uso de la función de activación inalámbrica, tenga preparado lo siguiente:

- Una unidad inalámbrica (accesorios opcionales)
- Una aspiradora compatible con la función de activación inalámbrica

A continuación se presenta la descripción general del ajuste de la función de activación inalámbrica. Consulte cada sección para ver los procedimientos a detalle.

1. Instalación de la unidad inalámbrica
2. Registro de la herramienta para la aspiradora
3. Inicio de la función de activación inalámbrica

Instalación de la unidad inalámbrica

Accesorio opcional

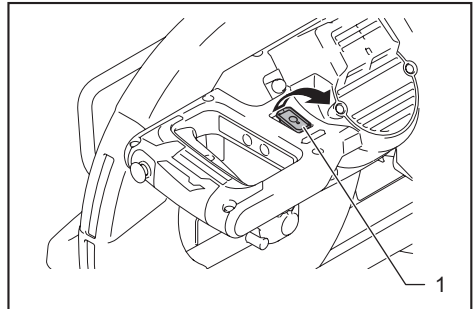
⚠PRECAUCIÓN: Coloque la herramienta sobre una superficie plana y estable cuando vaya a instalar la unidad inalámbrica.

AVISO: Limpie el polvo y la suciedad en la herramienta antes de instalar la unidad inalámbrica. El polvo o la suciedad podrían causar una avería si llegan a introducirse en la ranura de la unidad inalámbrica.

AVISO: Para evitar una avería a causa de la electricidad estática, toque un material de descarga de electricidad estática, tal como una pieza metálica de la herramienta antes de levantar la unidad inalámbrica.

AVISO: Cuando vaya a instalar la unidad inalámbrica, asegúrese siempre de que ésta sea insertada en la dirección correcta y que la tapa esté completamente cerrada.

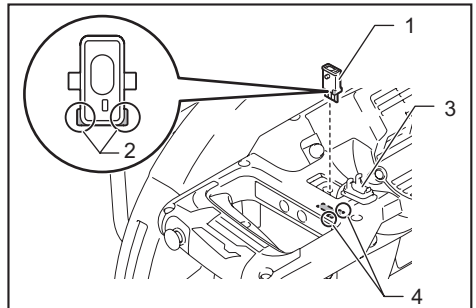
1. Abra la tapa en la herramienta tal como se muestra en la ilustración.



- 1. Tapa

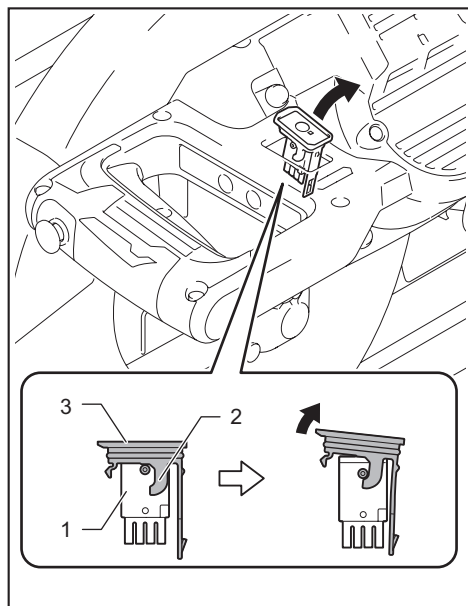
2. Inserte la unidad inalámbrica en la ranura y luego cierre la tapa.

Cuando inserte la unidad inalámbrica, alinee las partes salientes con las partes cóncavas en la ranura.



- 1. Unidad inalámbrica 2. Parte saliente 3. Tapa
4. Parte cóncava

Cuando extraiga la unidad inalámbrica, abra la tapa lentamente. Los ganchos en la parte posterior de la tapa levantarán la unidad inalámbrica mientras usted jala hacia arriba la tapa.



► 1. Unidad inalámbrica 2. Gancho 3. Tapa

Una vez extraída la unidad inalámbrica, guárdela en el estuche suministrado o en un contenedor libre de electricidad estática.

AVISO: Use siempre los ganchos en la parte posterior de la tapa cuando extraiga la unidad inalámbrica. Si los ganchos no sujetan la unidad inalámbrica, cierre la tapa por completo y vuelva a abrirla lentamente.

Registro de la herramienta para la aspiradora

NOTA: Para el registro de la herramienta, se requiere una aspiradora Makita compatible con la función de activación inalámbrica.

NOTA: Termine de instalar la unidad inalámbrica en la herramienta antes de comenzar con el registro de la herramienta.

NOTA: Evite encender los siguientes interruptores durante el registro de la herramienta:

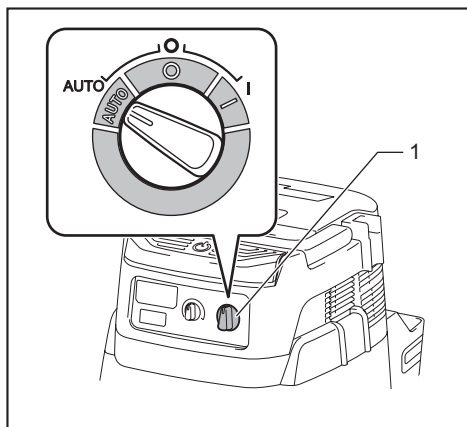
- el gatillo interruptor de la herramienta
- el interruptor de aspiradora de la herramienta
- el interruptor de alimentación de la aspiradora

NOTA: Consulte también el manual de instrucciones de la aspiradora.

Si desea activar la aspiradora junto con el interruptor de la herramienta, termine antes con el registro de la herramienta.

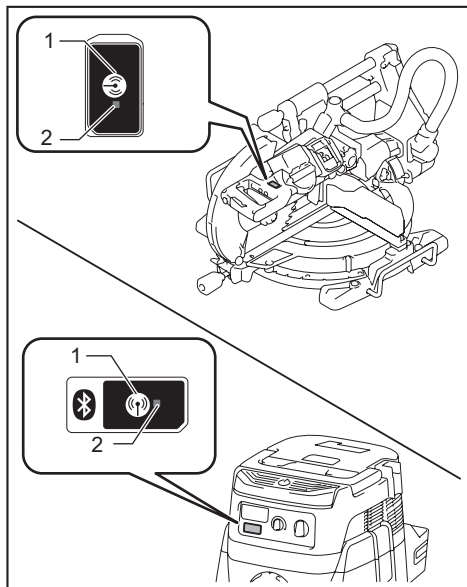
1. Instale las baterías en la aspiradora y en la herramienta.

2. Ajuste el interruptor de modo en espera en la aspiradora en "AUTO".



► 1. Interruptor de modo en espera

3. Oprima el botón de activación inalámbrica en la aspiradora durante 3 segundos hasta que la luz indicadora de activación inalámbrica parpadee en verde. Y luego oprima el botón de activación inalámbrica en la herramienta de la misma manera.



► 1. Botón de activación inalámbrica 2. Luz indicadora de activación inalámbrica

Si la aspiradora y la herramienta han sido conectadas exitosamente, las luces indicadoras de activación inalámbrica se encenderán en verde durante 2 segundos y comenzarán a parpadear en azul.

NOTA: Las luces indicadoras de activación inalámbrica terminarán parpadeando en verde después de un lapso de 20 segundos. Oprima el botón de activación inalámbrica en la herramienta mientras la luz indicadora de activación inalámbrica en la aspiradora esté parpadeando. Si la luz indicadora de activación inalámbrica no parpadea en verde, oprima el botón de activación inalámbrica durante un lapso breve y vuelva a mantenerlo oprimido.

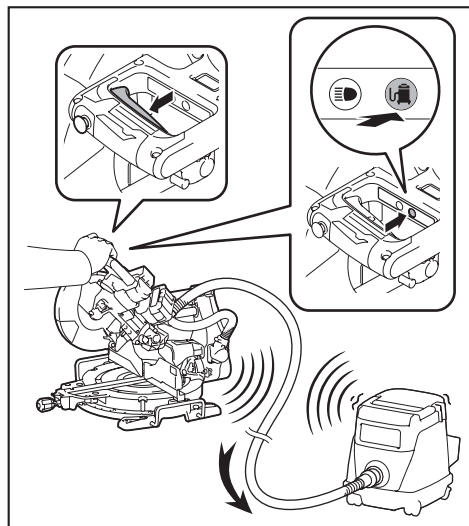
NOTA: Cuando realice dos o más registros de la herramienta para una aspiradora, termine el registro de la herramienta de uno en uno.

Inicio de la función de activación inalámbrica

NOTA: Termine con el registro de la herramienta para la aspiradora antes de la activación inalámbrica.

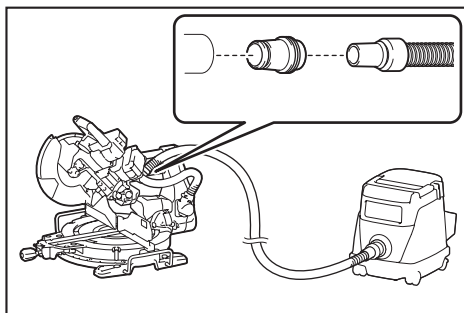
NOTA: Consulte también el manual de instrucciones de la aspiradora.

Después de registrar una herramienta en la aspiradora, esta última se activará automáticamente junto con el interruptor de la herramienta. Tire del gatillo interruptor de la herramienta para hacer funcionar la aspiradora durante la operación. La aspiradora también empieza a funcionar al oprimir el botón de aspiradora de la herramienta por cualquier operación de cortado.

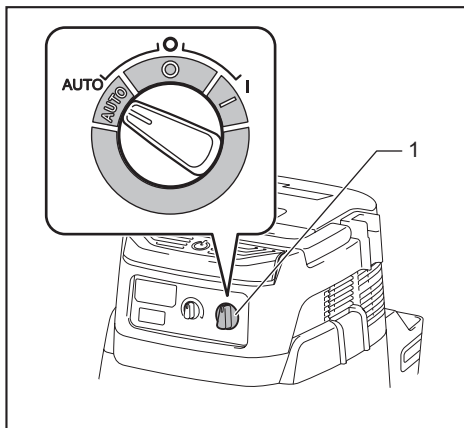


1. Instale la unidad inalámbrica en la herramienta.

2. Conecte la manguera de la aspiradora a la herramienta.

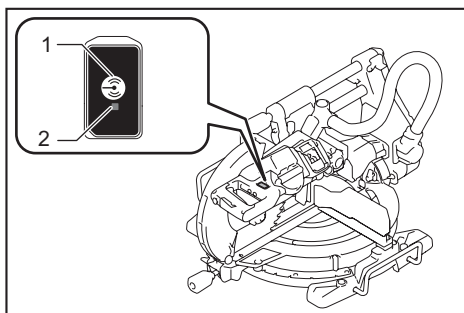


3. Ajuste el interruptor de modo en espera en la aspiradora en "AUTO".



► 1. Interruptor de modo en espera

4. Oprima el botón de activación inalámbrica en la herramienta durante un lapso breve. La luz indicadora de activación inalámbrica parpadeará en azul.



► 1. Botón de activación inalámbrica 2. Luz indicadora de activación inalámbrica

5. Jale el gatillo interruptor de la herramienta. Verifique que la aspiradora funcione mientras jala el gatillo interruptor.

6. Oprima el botón de aspiradora para hacer funcionar la aspiradora. Verifique si la luz indicadora de activación inalámbrica se ilumina en color azul y la aspiradora sigue funcionando hasta que oprime el botón nuevamente.

7. Para detener la operación de la aspiradora, suelte el gatillo interruptor u oprima el botón de aspiradora nuevamente. La aspiradora deja de funcionar unos cuantos segundos después de la operación del interruptor, y luego la lámpara gira para parpadear en color azul.

NOTA: El estado del interruptor (encender/apagar la aspiradora) se puede observar en la luz indicadora de activación inalámbrica. Para más detalles, consulte la sección para la descripción del estado de la luz indicadora de activación inalámbrica.

8. Para detener la activación inalámbrica de la aspiradora, oprima el botón de activación inalámbrica en la herramienta.

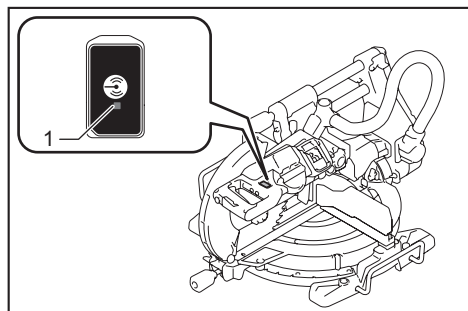
NOTA: La luz indicadora de activación inalámbrica en la herramienta dejará de parpadear en azul cuando no haya operación durante 2 horas. En este caso, ajuste el interruptor de modo en espera en la aspiradora en "AUTO" y oprima el botón de activación inalámbrica en la herramienta nuevamente.

NOTA: La aspiradora funcionará/detendrá con un retraso. Existirá un desfase cuando la aspiradora detecte la activación del interruptor de la herramienta.

NOTA: La distancia de transmisión de la unidad inalámbrica podrá variar en función del lugar y las circunstancias de los alrededores.

NOTA: Cuando dos o más herramientas estén registradas en una aspiradora, esta última podrá comenzar a funcionar incluso si usted no jala el gatillo interruptor o enciende el botón de aspiradora, debido a que otro usuario está utilizando la función de activación inalámbrica.

Descripción del estado de la luz indicadora de activación inalámbrica



► 1. Luz indicadora de activación inalámbrica

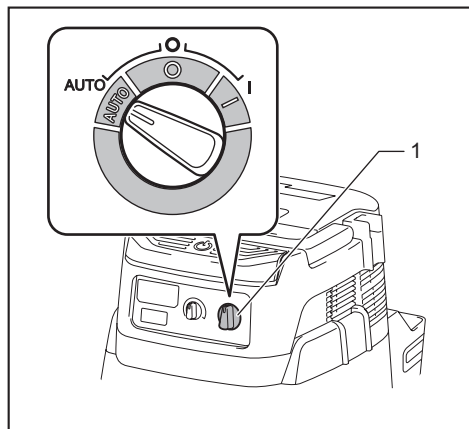
La luz indicadora de activación inalámbrica muestra el estado de la función de activación inalámbrica. Consulte la tabla a continuación para ver qué significa el estado de la luz indicadora.

Estado	Luz indicadora de activación inalámbrica			Duración	Descripción
	Color	■ Encendida	▣ Parpadeando		
En espera	Azul	▣	2 horas	La activación inalámbrica de la aspiradora está disponible. La luz se apagará automáticamente cuando no se realice ninguna operación durante 2 horas.	
		■	Cuando la herramienta está funcionando.	La activación inalámbrica de la aspiradora está disponible y la herramienta está funcionando.	
Registro de la herramienta	Verde	▣	20 segundos	Ya se puede realizar el registro de la herramienta. Esperando el registro por parte de la aspiradora.	
		■	2 segundos	El registro de la herramienta ha terminado. La luz indicadora de activación inalámbrica comenzará a parpadear en azul.	
Cancelación del registro de la herramienta	Rojo	▣	20 segundos	Ya se puede cancelar el registro de la herramienta. Esperando la cancelación por parte de la aspiradora.	
		■	2 segundos	La cancelación del registro de la herramienta ha terminado. La luz indicadora de activación inalámbrica comenzará a parpadear en azul.	
Otros	Rojo	■	3 segundos	La energía es suministrada a la unidad inalámbrica y la función de activación inalámbrica está arrancando.	
	Apagada	-	-	La activación inalámbrica de la aspiradora se ha detenido.	

Cancelación del registro de la herramienta para la aspiradora

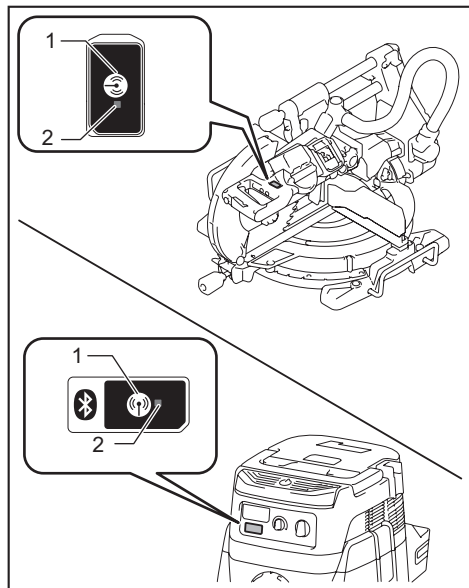
Realice el siguiente procedimiento para cancelar el registro de la herramienta para la aspiradora.

1. Instale las baterías en la aspiradora y en la herramienta.
2. Ajuste el interruptor de modo en espera en la aspiradora en "AUTO".



- 1. Interruptor de modo en espera

3. Oprima el botón de activación inalámbrica en la aspiradora durante 6 segundos. La luz indicadora de activación inalámbrica parpadeará en verde y luego se pondrá en rojo. Después de eso, oprima el botón de activación inalámbrica en la herramienta de la misma manera.



- 1. Botón de activación inalámbrica 2. Luz indicadora de activación inalámbrica

Si la cancelación se realiza exitosamente, las luces indicadoras de activación inalámbrica se encenderán en rojo durante 2 segundos y comenzarán a parpadear en azul.

NOTA: Las luces indicadoras de activación inalámbrica terminarán parpadearo en rojo después de un lapso de 20 segundos. Oprima el botón de activación inalámbrica en la herramienta mientras la luz indicadora de activación inalámbrica en la aspiradora esté parpadearo. Si la luz indicadora de activación inalámbrica no parpadea en rojo, oprima el botón de activación inalámbrica durante un lapso breve y vuelva a mantenerlo oprimido.

DetECCIÓN Y SOLUCIÓN DE PROBLEMAS PARA LA FUNCIÓN DE ACTIVACIÓN INALÁMBRICA

Antes de solicitar alguna reparación, primero realice una inspección por su cuenta. Si detecta algún problema que no esté explicado en el manual, no intente desensamblar la herramienta. En vez de esto, solicite la reparación a un centro de servicio autorizado de Makita, usando siempre piezas de repuesto Makita.

Estado de la anomalía	Causa probable (avería)	Remedio
La luz indicadora de activación inalámbrica no enciende/parpadea.	La unidad inalámbrica no está instalada en la herramienta. La unidad inalámbrica está instalada incorrectamente en la herramienta.	Instale la unidad inalámbrica correctamente.
	La terminal de la unidad inalámbrica y/o la ranura está sucia.	Retire con cuidado el polvo y la suciedad en la terminal de la unidad inalámbrica y limpie la ranura.
	El botón de activación inalámbrica en la herramienta no se ha oprimido.	Oprima el botón de activación inalámbrica en la herramienta durante un lapso breve.
	El interruptor de modo en espera en la aspiradora no está ajustado en "AUTO".	Ajuste el interruptor de modo en espera en la aspiradora en "AUTO".
	No hay suministro de energía.	Suministre energía a la herramienta y a la aspiradora.
No se puede terminar/cancelar el registro de la herramienta exitosamente.	La unidad inalámbrica no está instalada en la herramienta. La unidad inalámbrica está instalada incorrectamente en la herramienta.	Instale la unidad inalámbrica correctamente.
	La terminal de la unidad inalámbrica y/o la ranura está sucia.	Retire con cuidado el polvo y la suciedad en la terminal de la unidad inalámbrica y limpie la ranura.
	El interruptor de modo en espera en la aspiradora no está ajustado en "AUTO".	Ajuste el interruptor de modo en espera en la aspiradora en "AUTO".
	No hay suministro de energía.	Suministre energía a la herramienta y a la aspiradora.
	Operación incorrecta	Oprima el botón de activación inalámbrica durante un lapso breve y realice los procedimientos de registro/cancelación de la herramienta nuevamente.
	La herramienta y la aspiradora están lejos una de la otra (fuera del rango de transmisión).	Acerque más la herramienta a la aspiradora. La distancia máxima de transmisión es de aproximadamente 10 m, pero puede variar en función de las circunstancias.
	Antes de terminar el registro o cancelación de la herramienta: - que se jale el gatillo interruptor de la herramienta; o - que el botón de aspiradora de la herramienta se encienda; o - que el botón de encendido de la aspiradora se encienda.	Oprima el botón de activación inalámbrica durante un lapso breve y realice los procedimientos de registro/cancelación de la herramienta nuevamente.
	Los procedimientos de registro para la herramienta o aspiradora no se han terminado.	Realice los procedimientos de registro tanto para la herramienta como para la aspiradora al mismo tiempo.
La perturbación radioeléctrica generada por otros aparatos que emiten ondas de radio de alta intensidad.	Mantenga la herramienta y la aspiradora lejos de aparatos tales como dispositivos Wi-Fi y hornos de microondas.	

Estado de la anomalía	Causa probable (avería)	Remedio
La aspiradora no funciona junto con el interruptor de la herramienta.	La unidad inalámbrica no está instalada en la herramienta. La unidad inalámbrica está instalada incorrectamente en la herramienta.	Instale la unidad inalámbrica correctamente.
	La terminal de la unidad inalámbrica y/o la ranura está sucia.	Retire con cuidado el polvo y la suciedad en la terminal de la unidad inalámbrica y limpie la ranura.
	El botón de activación inalámbrica en la herramienta no se ha oprimido.	Oprima el botón de activación inalámbrica durante un lapso breve y asegúrese de que la luz indicadora de activación inalámbrica esté parpadeando en azul.
	El interruptor de modo en espera en la aspiradora no está ajustado en "AUTO".	Ajuste el interruptor de modo en espera en la aspiradora en "AUTO".
	Más de 10 herramientas están registradas en la aspiradora.	Vuelva a realizar el registro de la herramienta. Si más de 10 herramientas están registradas en la aspiradora, la herramienta registrada al principio se cancelará automáticamente.
	La aspiradora no ha registrado las herramientas con éxito.	Renueve los registros de la herramienta.
	La aspiradora borró todos los registros de la herramienta.	Vuelva a realizar el registro de la herramienta.
	No hay suministro de energía.	Suministre energía a la herramienta y a la aspiradora.
	La herramienta y la aspiradora están lejos una de la otra (fuera del rango de transmisión).	Acerque más la herramienta a la aspiradora. La distancia máxima de transmisión es de aproximadamente 10 m, pero puede variar en función de las circunstancias.
	La perturbación radioeléctrica generada por otros aparatos que emiten ondas de radio de alta intensidad.	Mantenga la herramienta y la aspiradora lejos de aparatos tales como dispositivos Wi-Fi y hornos de microondas.
La aspiradora está funcionando mientras ninguno de los interruptores de la herramienta están en funcionamiento.	Otros usuarios están usando la activación inalámbrica de la aspiradora con sus herramientas.	Apague el botón de activación inalámbrica de las demás herramientas o cancele el registro de dichas herramientas.

MANTENIMIENTO

⚠️ ADVERTENCIA: Asegúrese siempre de que la herramienta esté apagada y el cartucho de batería extraído antes de intentar realizar una inspección o mantenimiento. El no retirar el cartucho de batería y apagar la herramienta podría ocasionar un arranque accidental de la herramienta y provocar lesiones personales graves.

⚠️ ADVERTENCIA: Asegúrese de que el disco de la sierra circular esté afilado y limpio para una operación óptima y segura. Intentar realizar cortes con un disco no afilado y/o sucio puede causar retrocesos bruscos y resultar en lesiones personales graves.

⚠️ PRECAUCIÓN: Antes de intentar realizar una inspección o mantenimiento, asegúrese siempre de que el protector del disco esté cerrado en la posición original. No sujete ni ate el protector del disco en la posición abierta durante las operaciones de limpieza. Un disco expuesto podría resultar en una lesión personal.

AVISO: Nunca use gasolina, bencina, diluyente (tíner), alcohol o sustancias similares. Puede que esto ocasione grietas o descoloramiento.

Para mantener la SEGURIDAD y FIABILIDAD del producto, las reparaciones, y cualquier otra tarea de mantenimiento o ajuste deberán ser realizadas en centros de servicio autorizados o de fábrica Makita, empleando siempre repuestos Makita.

Ajuste del ángulo de corte

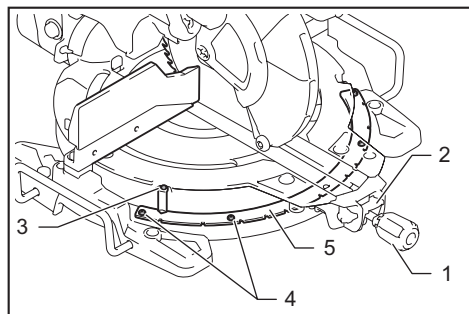
Esta herramienta ya viene cuidadosamente ajustada y alineada de fábrica, pero una manipulación descuidada podría afectar la alineación. Si su herramienta no está adecuadamente alineada, haga lo siguiente:

Ángulo de inglete

Baje la empuñadura por completo y bloquee la en la posición hacia abajo con la clavija de retención. Empuje el carro hacia la guía lateral.

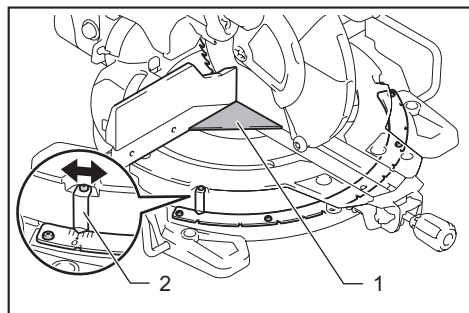
Rote la perilla en sentido inverso al de las manecillas del reloj, y que la base giratoria esté lista para la función de tope de seguridad mediante la palanca de bloqueo.

Luego, afloje los tornillos que aseguran el marcador y la escala del ángulo de inglete.



- 1. Perilla 2. Palanca de bloqueo 3. Tornillo en el marcador 4. Tornillos en la escala del ángulo de inglete 5. Escala del ángulo de inglete

Ajuste la base giratoria en la posición de 0° usando la función de tope de seguridad. Cuadre el lado del disco de la sierra circular con la cara de la guía lateral usando una regla triangular o escuadra. Mientras los mantiene cuadrados, apriete los tornillos en la escala del ángulo de inglete. Después, alinee los marcadores (tanto el derecho como el izquierdo) con la posición de 0° en la escala del ángulo de inglete y luego apriete el tornillo en el marcador.

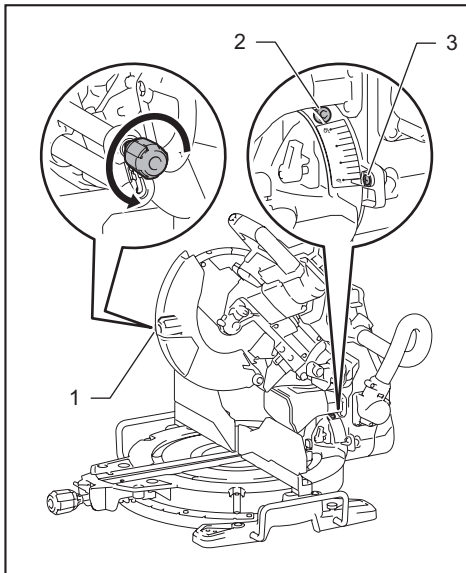


- 1. Regla triangular 2. Marcador

Ángulo de bisel

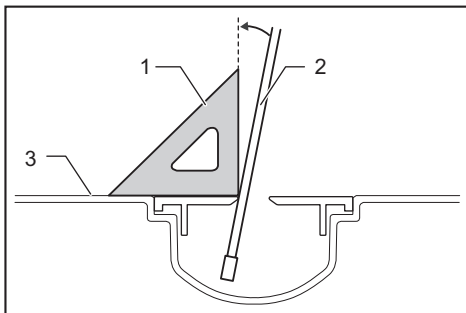
Ángulo de bisel de 0°

Empuje el carro hacia las guías laterales y bloquee el movimiento de deslizamiento con la clavija de retención. Baje el carro por completo y bloquéelo en la posición hacia abajo con la clavija de retención. Gire el pomo en sentido inverso al de las manecillas del reloj y luego gire el perno de ajuste de 0° a dos o tres giros en sentido inverso al de las manecillas del reloj para inclinar el disco de la sierra circular hacia la derecha.



- 1. Pomo 2. Perno de ajuste a 0° 3. Tornillo del marcador

Cuadre cuidadosamente el lado del disco de la sierra circular con la parte superior de la base giratoria usando una regla triangular, escuadra, etc., y girando el perno de ajuste a 0° en el sentido de las manecillas del reloj. Luego apriete el pomo firmemente para asegurar el ángulo de 0° previamente ajustado.



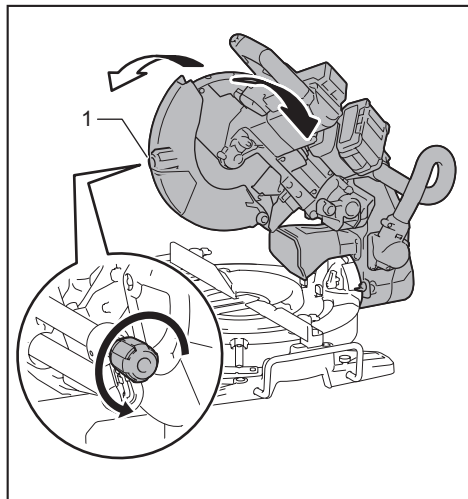
- 1. Regla triangular 2. Disco de la sierra 3. Parte superior de la base giratoria

Verifique nuevamente que el lado del disco de la sierra circular cuadre con la parte superior de la base giratoria. Afloje el tornillo en el marcador. Alinee el marcador con la posición de 0° en la escala del ángulo de bisel y luego apriete el tornillo.

Ángulo de bisel de 45°

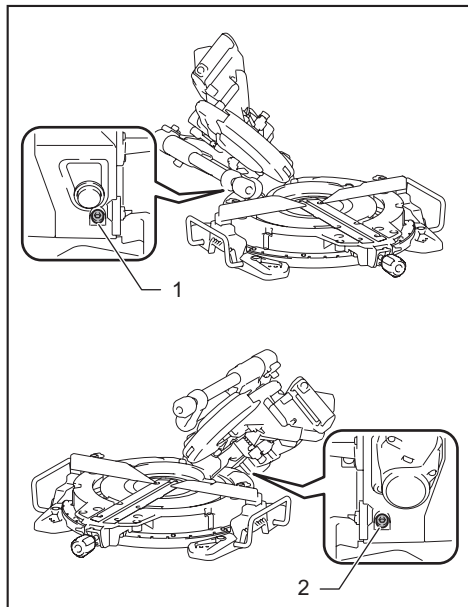
AVISO: Antes de ajustar el ángulo de bisel de 45°, termine de ajustar el ángulo de bisel de 0°.

Afloje el pomo e incline el carro completamente hacia el lado que desee verificar. Compruebe que el marcador indique la posición de 45° en la escala del ángulo de bisel.



► 1. Pomo

De no ser así, debe alinearlo con la posición de 45° girando el perno de ajuste en la escala del ángulo de bisel del lado opuesto de la base.



► 1. Perno de ajuste a 45° a la izquierda 2. Perno de ajuste a 45° a la derecha

Limpeza del lente de la lámpara

PRECAUCIÓN: Antes de limpiar el lente de la lámpara, siempre retire el disco de la sierra circular.

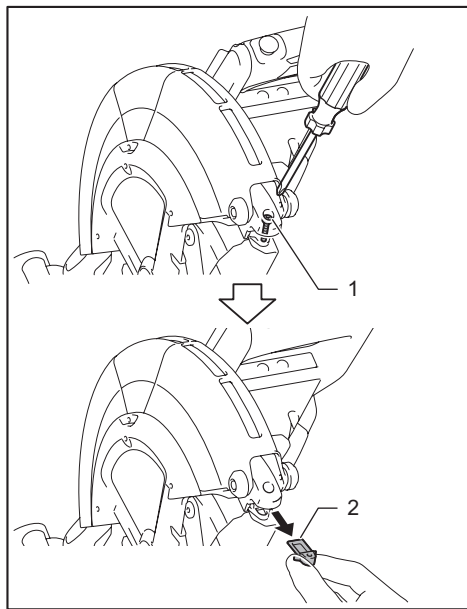
AVISO: No retire el tornillo que fija el lente. Si el lente no sale, afloje el tornillo todavía más.

AVISO: Utilice un paño seco para quitar la suciedad de la lente de la lámpara. Tenga cuidado de no rayar la lente de la lámpara ya que la iluminación podría disminuir.

AVISO: No utilice disolventes ni limpiadores a base de petróleo en el lente.

La luz LED es difícil de visualizar si el lente para la luz se llega a ensuciar. Limpie el lente en intervalos regulares.

Retire el cartucho de batería. Afloje el tornillo y saque el lente. Limpie el lente con cuidado usando un paño suave húmedo.



► 1. Tornillo 2. Lente

Luego del uso

Luego de utilizar la herramienta, limpie los restos de astillas y polvo con un paño o similar. Mantenga el protector del disco limpio de acuerdo con las instrucciones proporcionadas en la sección "Protector del disco". Lubrique las partes deslizantes con aceite para máquinas a fin de evitar que se oxiden.

ACCESORIOS OPCIONALES

⚠️ ADVERTENCIA: Estos accesorios o aditamentos Makita están recomendados para utilizarse con su herramienta Makita que se especifica en este manual. El uso de cualquier otro accesorio o aditamento puede ocasionar lesiones personales graves.

⚠️ ADVERTENCIA: Use los accesorios o aditamentos Makita solamente para su propósito designado. El uso inapropiado de un accesorio o aditamento puede causar lesiones personales graves.

Si necesita cualquier ayuda para más detalles en relación con estos accesorios, pregunte a su centro de servicio local Makita.

- Discos de sierra con puntas de carburo
- Prensa vertical
- Prensa horizontal
- Conjunto de topes para moldura de corona
- Bolsa recolectora de polvo
- Regla triangular
- Llave hexagonal
- Unidad inalámbrica
- Juego de pedestales
- Base inferior
- Batería y cargador originales de Makita

NOTA: Algunos de los artículos en la lista pueden incluirse en el paquete de la herramienta como accesorios estándar. Éstos pueden variar de país a país.

GARANTÍA LIMITADA DE MAKITA

Ésta Garantía no aplica para México

Consulte la hoja de la garantía anexa para ver los términos más vigentes de la garantía aplicable a este producto. En caso de no disponer de esta hoja de garantía anexa, consulte los detalles sobre la garantía descritos en el sitio web de su país respectivo indicado a continuación.

Estados Unidos de América: www.makitatools.com

Canadá: www.makita.ca

Otros países: www.makita.com

< USA only >

WARNING

Some dust created by power sanding, sawing, grinding, drilling, and other construction activities contains chemicals known to the State of California to cause cancer, birth defects or other reproductive harm. Some examples of these chemicals are:

- lead from lead-based paints,
- crystalline silica from bricks and cement and other masonry products, and
- arsenic and chromium from chemically-treated lumber.

Your risk from these exposures varies, depending on how often you do this type of work. To reduce your exposure to these chemicals: work in a well ventilated area, and work with approved safety equipment, such as those dust masks that are specially designed to filter out microscopic particles.

< Sólo en los Estados Unidos >

ADVERTENCIA

Algunos polvos creados por el lijado, aserrado, esmerilado, taladrado y otras actividades de la construcción contienen sustancias químicas reconocidas por el Estado de California como causantes de cáncer, defectos de nacimiento y otros peligros de reproducción. Algunos ejemplos de estos productos químicos son:

- plomo de pinturas a base de plomo,
- sílice cristalino de ladrillos y cemento y otros productos de albañilería, y
- arsénico y cromo de maderas tratadas químicamente.

El riesgo al que se expone varía, dependiendo de la frecuencia con la que realice este tipo de trabajo. Para reducir la exposición a estos productos químicos: trabaje en un área bien ventilada y póngase el equipo de seguridad indicado, tal como las máscaras contra polvo que están especialmente diseñadas para filtrar partículas microscópicas.

Makita Corporation

3-11-8, Sumiyoshi-cho,
Anjo, Aichi 446-8502 Japan

www.makita.com

885893-941
GSL03-1
EN, ESMX
20210309