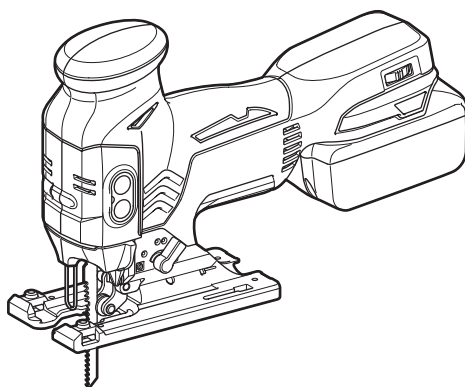


INSTRUCTION MANUAL  
MANUAL DE INSTRUCCIONES



# Cordless Jig Saw Sierra Caladora Inalámbrica

## XVJ01



**IMPORTANT:** Read Before Using.

**IMPORTANTE:** Lea antes de usar.

## SPECIFICATIONS

Model		XVJ01
Length of stroke		26 mm (1")
Max. cutting capacities	Wood	135 mm (5-5/16")
	Mild steel	10 mm (3/8")
	Aluminum	20 mm (25/32")
Strokes per minute		800 - 3,500 /min
Overall length		298 mm (11-3/4")
Net weight		2.3 - 2.6 kg (5.0 - 5.7 lbs)
Rated voltage		D.C. 18 V

- Due to our continuing program of research and development, the specifications herein are subject to change without notice.
- Specifications may differ from country to country.
- The weight may differ depending on the attachment(s), including the battery cartridge. The lightest and heaviest combination, according to EPTA-Procedure 01/2014, are shown in the table.

### Applicable battery cartridge and charger

Battery cartridge	BL1815N / BL1820B / BL1830 / BL1830B / BL1840B / BL1850B / BL1860B
Charger	DC18RC / DC18RD / DC18SD / DC18SE / DC18SF

- Some of the battery cartridges and chargers listed above may not be available depending on your region of residence.

**⚠WARNING:** Only use the battery cartridges and chargers listed above. Use of any other battery cartridges and chargers may cause injury and/or fire.

### General power tool safety warnings

**⚠WARNING:** Read all safety warnings, instructions, illustrations and specifications provided with this power tool. Failure to follow all instructions listed below may result in electric shock, fire and/or serious injury.

### Save all warnings and instructions for future reference.

The term "power tool" in the warnings refers to your mains-operated (corded) power tool or BATTERY-operated (cordless) power tool.

#### Work area safety

1. **Keep work area clean and well lit.** Cluttered or dark areas invite accidents.
2. **Do not operate power tools in explosive atmospheres, such as in the presence of flammable liquids, gases or dust.** Power tools create sparks which may ignite the dust or fumes.
3. **Keep children and bystanders away while operating a power tool.** Distractions can cause you to lose control.

#### Electrical Safety

1. **Power tool plugs must match the outlet. Never modify the plug in any way. Do not use any adapter plugs with earthed (grounded) power tools.** Unmodified plugs and matching outlets will reduce risk of electric shock.

2. **Avoid body contact with earthed or grounded surfaces, such as pipes, radiators, ranges and refrigerators.** There is an increased risk of electric shock if your body is earthed or grounded.
3. **Do not expose power tools to rain or wet conditions.** Water entering a power tool will increase the risk of electric shock.
4. **Do not abuse the cord. Never use the cord for carrying, pulling or unplugging the power tool. Keep cord away from heat, oil, sharp edges or moving parts.** Damaged or entangled cords increase the risk of electric shock.
5. **When operating a power tool outdoors, use an extension cord suitable for outdoor use.** Use of a cord suitable for outdoor use reduces the risk of electric shock.
6. **If operating a power tool in a damp location is unavoidable, use a ground fault circuit interrupter (GFCI) protected supply.** Use of a GFCI reduces the risk of electric shock.
7. **Power tools can produce electromagnetic fields (EMF) that are not harmful to the user.** However, users of pacemakers and other similar medical devices should contact the maker of their device and/or doctor for advice before operating this power tool.

#### Personal Safety

1. **Stay alert, watch what you are doing and use common sense when operating a power tool. Do not use a power tool while you are tired or under the influence of drugs, alcohol or medication.** A moment of inattention while operating power tools may result in serious personal injury.

2. **Use personal protective equipment. Always wear eye protection.** Protective equipment such as dust mask, non-skid safety shoes, hard hat, or hearing protection used for appropriate conditions will reduce personal injuries.
3. **Prevent unintentional starting. Ensure the switch is in the off-position before connecting to power source and/or BATTERY pack, picking up or carrying the tool.** Carrying power tools with your finger on the switch or energising power tools that have the switch on invites accidents.
4. **Remove any adjusting key or wrench before turning the power tool on.** A wrench or a key left attached to a rotating part of the power tool may result in personal injury.
5. **Do not overreach. Keep proper footing and balance at all times.** This enables better control of the power tool in unexpected situations.
6. **Dress properly. Do not wear loose clothing or jewellery. Keep your hair, clothing and gloves away from moving parts.** Loose clothes, jewellery or long hair can be caught in moving parts.
7. **If devices are provided for the connection of dust extraction and collection facilities, ensure these are connected and properly used.** Use of dust collection can reduce dust-related hazards.
8. **Do not let familiarity gained from frequent use of tools allow you to become complacent and ignore tool safety principles.** A careless action can cause severe injury within a fraction of a second.
9. **Always wear protective goggles to protect your eyes from injury when using power tools.** The goggles must comply with ANSI Z87.1 in the USA. It is an employer's responsibility to enforce the use of appropriate safety protective equipments by the tool operators and by other persons in the immediate working area.
6. **Keep cutting tools sharp and clean.** Properly maintained cutting tools with sharp cutting edges are less likely to bind and are easier to control.
7. **Use the power tool, accessories and tool bits etc. in accordance with these instructions, taking into account the working conditions and the work to be performed.** Use of the power tool for operations different from those intended could result in a hazardous situation.
8. **Keep handles and grasping surfaces dry, clean and free from oil and grease.** Slippery handles and grasping surfaces do not allow for safe handling and control of the tool in unexpected situations.
9. **When using the tool, do not wear cloth work gloves which may be entangled.** The entanglement of cloth work gloves in the moving parts may result in personal injury.

#### **BATTERY tool use and care**

#### **Power tool use and care**

1. **Do not force the power tool. Use the correct power tool for your application.** The correct power tool will do the job better and safer at the rate for which it was designed.
2. **Do not use the power tool if the switch does not turn it on and off.** Any power tool that cannot be controlled with the switch is dangerous and must be repaired.
3. **Disconnect the plug from the power source and/or remove the BATTERY pack, if detachable, from the power tool before making any adjustments, changing accessories, or storing power tools.** Such preventive safety measures reduce the risk of starting the power tool accidentally.
4. **Store idle power tools out of the reach of children and do not allow persons unfamiliar with the power tool or these instructions to operate the power tool.** Power tools are dangerous in the hands of untrained users.
5. **Maintain power tools and accessories. Check for misalignment or binding of moving parts, breakage of parts and any other condition that may affect the power tool's operation. If damaged, have the power tool repaired before use.** Many accidents are caused by poorly maintained power tools.

1. **Recharge only with the charger specified by the manufacturer.** A charger that is suitable for one type of BATTERY pack may create a risk of fire when used with another BATTERY pack.
2. **Use power tools only with specifically designated BATTERY packs.** Use of any other BATTERY packs may create a risk of injury and fire.
3. **When BATTERY pack is not in use, keep it away from other metal objects, like paper clips, coins, keys, nails, screws or other small metal objects, that can make a connection from one terminal to another.** Shorting the BATTERY terminals together may cause burns or a fire.
4. **Under abusive conditions, liquid may be ejected from the BATTERY; avoid contact. If contact accidentally occurs, flush with water. If liquid contacts eyes, additionally seek medical help.** Liquid ejected from the BATTERY may cause irritation or burns.
5. **Do not use a BATTERY pack or tool that is damaged or modified.** Damaged or modified batteries may exhibit unpredictable behaviour resulting in fire, EXPLOSION or risk of injury.
6. **Do not expose a BATTERY pack or tool to fire or excessive temperature.** Exposure to fire or temperature above 130 °C may cause explosion.
7. **Follow all charging instructions and do not charge the BATTERY pack or tool outside the temperature range specified in the instructions.** Charging improperly or at temperatures outside the specified range may damage the BATTERY and increase the risk of fire.

#### **Service**

1. **Have your power tool serviced by a qualified repair person using only identical replacement parts.** This will ensure that the safety of the power tool is maintained.
2. **Never service damaged BATTERY packs.** Service of BATTERY packs should only be performed by the manufacturer or authorized service providers.
3. **Follow instruction for lubricating and changing accessories.**
4. **Do not modify or attempt to repair the appliance or the BATTERY pack except as indicated in the instructions for use and care.**

## Cordless jig saw safety warnings

1. Hold the power tool by insulated gripping surfaces, when performing an operation where the cutting accessory may contact hidden wiring. Cutting accessory contacting a "live" wire may make exposed metal parts of the power tool "live" and could give the operator an electric shock.
2. Use clamps or another practical way to secure and support the workpiece to a stable platform. Holding the workpiece by hand or against your body leaves it unstable and may lead to loss of control.
3. Always use safety glasses or goggles. Ordinary eye or sun glasses are NOT safety glasses.
4. Avoid cutting nails. Inspect workpiece for any nails and remove them before operation.
5. Do not cut oversize workpiece.
6. Check for the proper clearance beyond the workpiece before cutting so that the blade will not strike the floor, workbench, etc.
7. Hold the tool firmly.
8. Make sure the blade is not contacting the workpiece before the switch is turned on.
9. Keep hands away from moving parts.
10. Do not leave the tool running. Operate the tool only when hand-held.
11. Always switch off and wait for the blade to come to a complete stop before removing the blade from the workpiece.
12. Do not touch the blade or the workpiece immediately after operation; they may be extremely hot and could burn your skin.
13. Do not operate the tool at no-load unnecessarily.
14. Some material contains chemicals which may be toxic. Take caution to prevent dust inhalation and skin contact. Follow material supplier safety data.
15. Always use the correct dust mask/respirator for the material and application you are working with.

## SAVE THESE INSTRUCTIONS.

**⚠ WARNING:** DO NOT let comfort or familiarity with product (gained from repeated use) replace strict adherence to safety rules for the subject product. MISUSE or failure to follow the safety rules stated in this instruction manual may cause serious personal injury.

## Symbols

The followings show the symbols used for tool.

V	volts
≡	direct current
n <sub>0</sub>	no load speed
... /min r/min	revolutions or reciprocation per minute

## Important safety instructions for battery cartridge

1. Before using battery cartridge, read all instructions and cautionary markings on (1) battery charger, (2) battery, and (3) product using battery.
2. Do not disassemble battery cartridge.
3. If operating time has become excessively shorter, stop operating immediately. It may result in a risk of overheating, possible burns and even an explosion.
4. If electrolyte gets into your eyes, rinse them out with clear water and seek medical attention right away. It may result in loss of your eyesight.
5. Do not short the battery cartridge:
  - (1) Do not touch the terminals with any conductive material.
  - (2) Avoid storing battery cartridge in a container with other metal objects such as nails, coins, etc.
  - (3) Do not expose battery cartridge to water or rain.

A battery short can cause a large current flow, overheating, possible burns and even a breakdown.
6. Do not store the tool and battery cartridge in locations where the temperature may reach or exceed 50 °C (122 °F).
7. Do not incinerate the battery cartridge even if it is severely damaged or is completely worn out. The battery cartridge can explode in a fire.
8. Be careful not to drop or strike battery.
9. Do not use a damaged battery.
10. The contained lithium-ion batteries are subject to the Dangerous Goods Legislation requirements.

For commercial transports e.g. by third parties, forwarding agents, special requirement on packaging and labeling must be observed.

For preparation of the item being shipped, consulting an expert for hazardous material is required. Please also observe possibly more detailed national regulations.

Tape or mask off open contacts and pack up the battery in such a manner that it cannot move around in the packaging.

11. Follow your local regulations relating to disposal of battery.
12. Use the batteries only with the products specified by Makita. Installing the batteries to non-compliant products may result in a fire, excessive heat, explosion, or leak of electrolyte.

## SAVE THESE INSTRUCTIONS.

**⚠ CAUTION:** Only use genuine Makita batteries. Use of non-genuine Makita batteries, or batteries that have been altered, may result in the battery bursting causing fires, personal injury and damage. It will also void the Makita warranty for the Makita tool and charger.

## Tips for maintaining maximum battery life

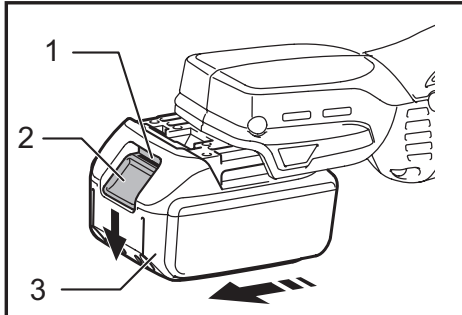
1. Charge the battery cartridge before completely discharged. Always stop tool operation and charge the battery cartridge when you notice less tool power.
2. Never recharge a fully charged battery cartridge. Overcharging shortens the battery service life.
3. Charge the battery cartridge with room temperature at 10 °C - 40 °C (50 °F - 104 °F). Let a hot battery cartridge cool down before charging it.
4. Charge the battery cartridge if you do not use it for a long period (more than six months).

## FUNCTIONAL DESCRIPTION

### ⚠ CAUTION:

- Always be sure that the tool is switched off and the battery cartridge is removed before adjusting or checking function on the tool.

## Installing or removing battery cartridge



- 1. Red indicator 2. Button 3. Battery cartridge

### ⚠ CAUTION:

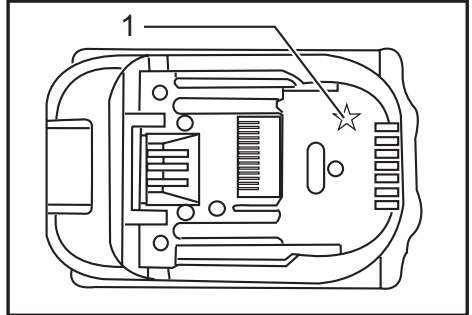
- Always switch off the tool before installing or removing of the battery cartridge.
- **Hold the tool and the battery cartridge firmly when installing or removing battery cartridge.** Failure to hold the tool and the battery cartridge firmly may cause them to slip off your hands and result in damage to the tool and battery cartridge and a personal injury.

To remove the battery cartridge, slide it from the tool while sliding the button on the front of the cartridge. To install the battery cartridge, align the tongue on the battery cartridge with the groove in the housing and slip it into place. Insert it all the way until it locks in place with a little click. If you can see the red indicator on the upper side of the button, it is not locked completely.

### ⚠ CAUTION:

- Always install the battery cartridge fully until the red indicator cannot be seen. If not, it may accidentally fall out of the tool, causing injury to you or someone around you.
- Do not install the battery cartridge forcibly. If the cartridge does not slide in easily, it is not being inserted correctly.

## Battery protection system (Lithium-ion battery with star marking)



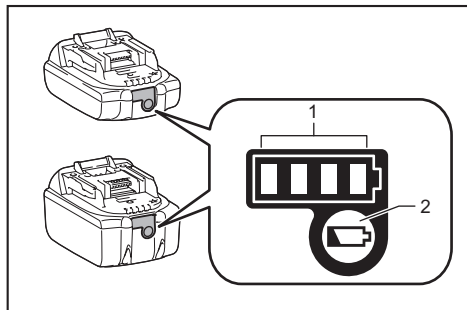
- 1. Star marking

Lithium-ion batteries with a star marking are equipped with a protection system. This system automatically cuts off power to the tool to extend battery life. The tool will automatically stop during operation if the tool and/or battery are placed under one of the following conditions:

- **Overloaded:**  
The tool is operated in a manner that causes it to draw an abnormally high current. In this situation, press ON/OFF switch on the tool and stop the application that caused the tool to become overloaded. Then press ON/OFF switch again to restart.  
If the tool does not start, the battery is overheated. In this situation, let the battery cool before pressing ON/OFF switch again.
- **Low battery voltage:**  
The remaining battery capacity is too low and the tool will not operate. In this situation, remove and recharge the battery.

## Indicating the remaining battery capacity

Only for battery cartridges with the indicator



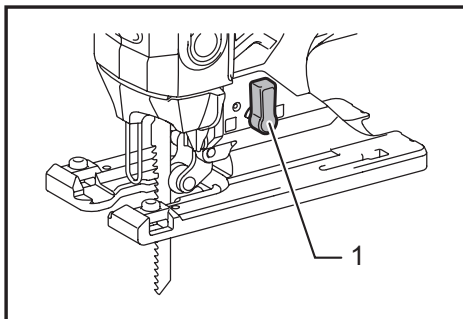
► 1. Indicator lamps 2. Check button

Press the check button on the battery cartridge to indicate the remaining battery capacity. The indicator lamps light up for a few seconds.

Indicator lamps			Remaining capacity
Lighted	Off	Blinking	
■ ■ ■ ■			75% to 100%
■ ■ ■ □			50% to 75%
■ ■ □ □			25% to 50%
■ □ □ □			0% to 25%
▣ □ □ □			Charge the battery.
■ ■ □ □			The battery may have malfunctioned.
□ □ ■ ■	↑ ↓		

**NOTE:** Depending on the conditions of use and the ambient temperature, the indication may differ slightly from the actual capacity.

## Selecting the cutting action



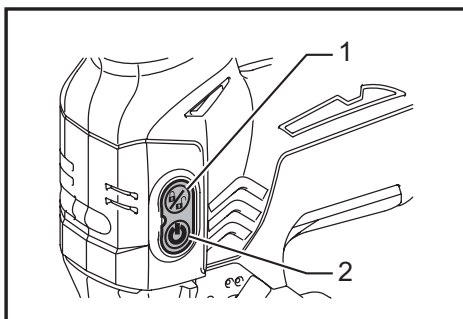
► 1. Cutting action changing lever

This tool can be operated with an orbital or a straight line (up and down) cutting action. The orbital cutting action thrusts the blade forward on the cutting stroke and greatly increases cutting speed.

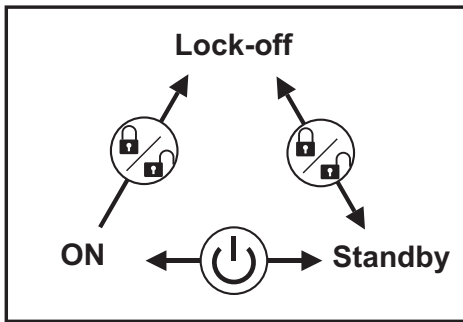
To change the cutting action, just turn the cutting action changing lever to the desired cutting action position. Refer to the table to select the appropriate cutting action.

Position	Cutting action	Applications
0	Straight line cutting action	For cutting mild steel, stainless steel and plastics. For clean cuts in wood and plywood.
I	Small orbit cutting action	For cutting mild steel, aluminum and hard wood.
II	Medium orbit cutting action	For cutting wood and plywood. For fast cutting in aluminum and mild steel.
III	Large orbit cutting action	For fast cutting in wood and plywood.

## Switch action



► 1. Lock switch 2. ON/standby switch



To start the tool:

Press the lock switch to turn the tool into standby mode. It turns the lamp on, too.

Press the ON/standby switch to start the tool in standby mode.

To stop the tool:

Press the ON/standby switch to stop and turn the tool into standby mode.

Press the lock switch to stop and turn the tool into lock-off mode.

In standby mode, press the lock switch to turn the lamp off and turn the tool into lock-off mode.

**NOTE:**

- When the tool is in standby mode, the lamp keeps lighting.
- If the tool is left 10 seconds without any operations in standby mode, the tool is automatically turned into lock-off mode and the lamp goes off.

**Lighting up the lamps**

**CAUTION:**

- Do not look in the lamp or see the source of lamp directly.

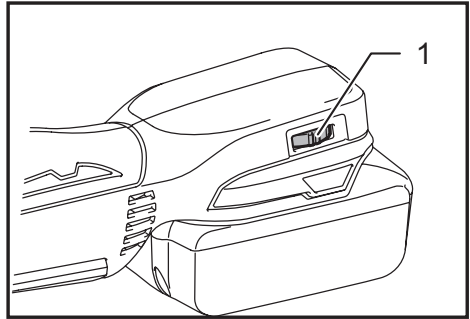
To turn on the lamp, press the lock switch.

Another press of the lock switch stops the tool and the light goes off.

**NOTE:**

- Use a dry cloth to wipe the dirt off the lens of lamp. Be careful not to scratch the lens of lamp, or it may lower the illumination.
- When the tool is overheated, the lamp flickers. Cool down the tool fully before operating again.

**Speed adjusting dial**



► 1. Speed adjusting dial

The tool speed can be infinitely adjusted by turning the speed adjusting dial. You can get the highest speed at 6 and the lowest speed at 1.

Refer to the table to select the proper speed for the workpiece to be cut. However, the appropriate speed may differ with the type or thickness of the workpiece. In general, higher speeds will allow you to cut workpieces faster but the service life of the blade will be reduced.

Workpiece to be cut	Number on adjusting dial
Wood	4 - 6
Mild steel	3 - 6
Stainless steel	3 - 4
Aluminum	3 - 6
Plastics	1 - 4

**CAUTION:**

- The speed adjusting dial can be turned only as far as 6 and back to 1. Do not force it past 6 or 1, or the speed adjusting function may no longer work.

**NOTE:**

- When the speed adjusting dial is at 3 or higher, the tool automatically reduces the no-load speed to reduce the vibration under no-load. Once the tool gets load, the tool speed reaches the preset speed. Then the tool keeps the speed until the tool is switched off. When temperature is low and there is less fluidity in grease, the tool may not have this function even with the motor rotating.

**ASSEMBLY**

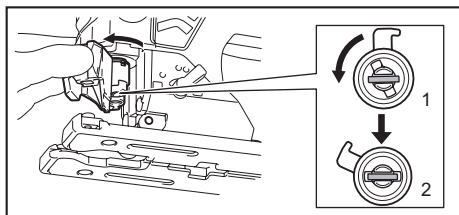
**CAUTION:**

- Always be sure that the tool is switched off and the battery cartridge is removed before carrying out any work on the tool.

## Installing or removing saw blade

### ⚠ CAUTION:

- Always clean out all chips or foreign matter adhering to the blade and/or blade holder. Failure to do so may cause insufficient tightening of the blade, resulting in a serious personal injury.
- Do not touch the blade or the workpiece immediately after operation; they may be extremely hot and could burn your skin.
- Tighten the saw blade securely. Failure to do so may cause a serious injury.
- When you remove the saw blade, be careful not to hurt your fingers with the top of the blade or the tips of workpiece.



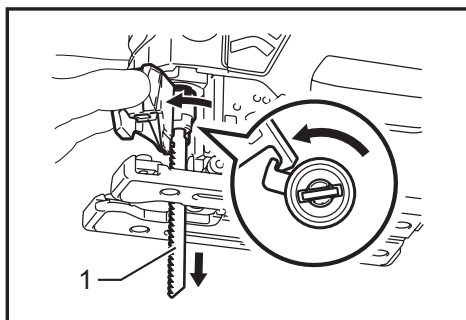
► 1. Fixed position 2. Released position

Before installing the blade, make sure that the blade holder is in the released position.

To install the blade, insert the blade (teeth facing forward) into the blade holder until it latches. The blade holder moves to the fixed position by itself and the blade is locked. Pull the blade lightly to make sure that the blade does not fall off during operation.

### ⚠ CAUTION:

- Do not open the tool opener excessively, or it may cause tool damage.



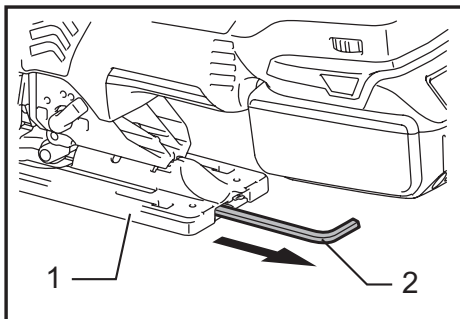
► 1. Jig saw blade

To remove the blade, push the tool opener forward as far as it will go. This allows the blade to be released.

### NOTE:

- Occasionally lubricate the roller.

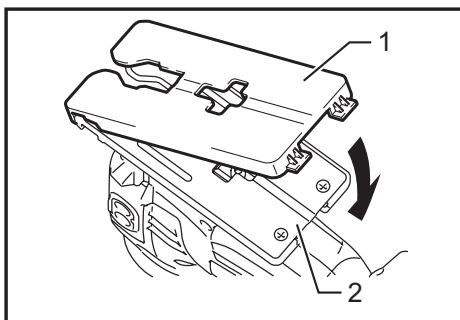
## Hex wrench storage



► 1. Base 2. Hex wrench

When not in use, store the hex wrench as shown in the figure to keep it from being lost.

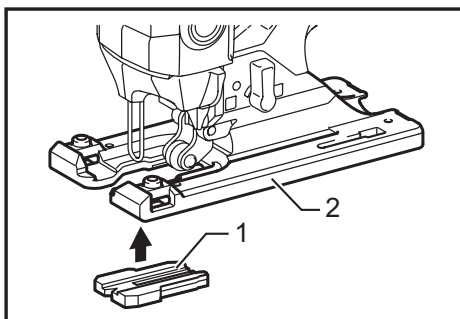
## Cover plate



► 1. Cover plate 2. Base

Use the cover plate when cutting decorative veneers, plastics, etc. It protects sensitive or delicate surfaces from damage. Fit it on the back of the tool base.

## Anti-splintering device



► 1. Anti-splintering device 2. Base

For splinter-free cuts, the anti-splintering device can be used. To install the anti-splintering device, move the tool base all the way forward and fit it from the back of tool base. When you use the cover plate, install the anti-splintering device onto the cover plate.

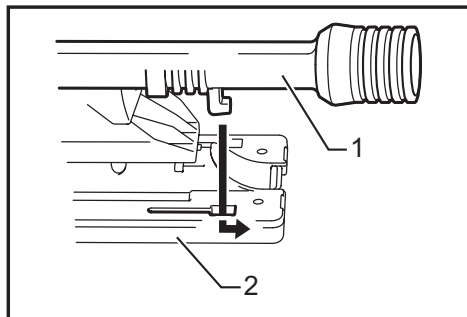


### ⚠ CAUTION:

- The anti-splintering device cannot be used when making bevel cuts.

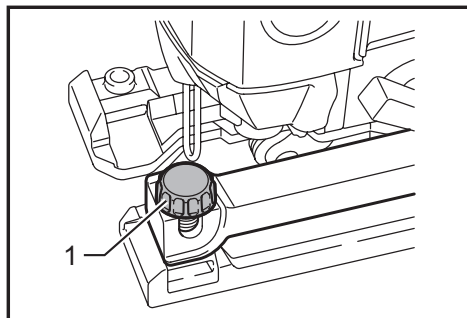
## Dust extraction

The dust nozzle (optional accessory) is recommended to perform clean cutting operations.



► 1. Dust nozzle 2. Base

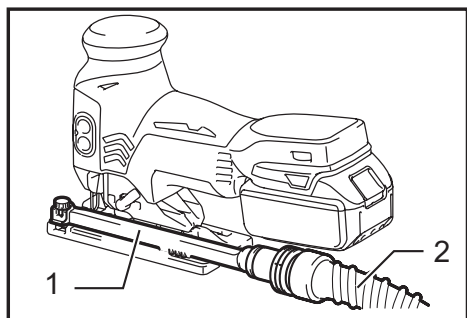
To attach the dust nozzle on the tool, insert the hook of dust nozzle into the hole in the base.



► 1. Clamp screw

To secure the dust nozzle, tighten the clamp screw at the front of the dust nozzle.

The dust nozzle can be installed on either left or right side of the base.



► 1. Dust nozzle 2. Hose for vacuum cleaner

Then connect a Makita vacuum cleaner to the dust nozzle.

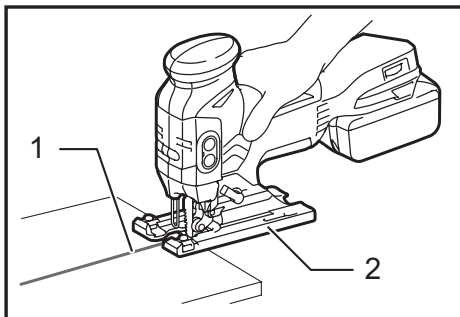
## OPERATION

### ⚠ CAUTION:

- Always hold the base flush with the workpiece. Failure to do so may cause blade breakage, resulting in a serious injury.

### NOTE:

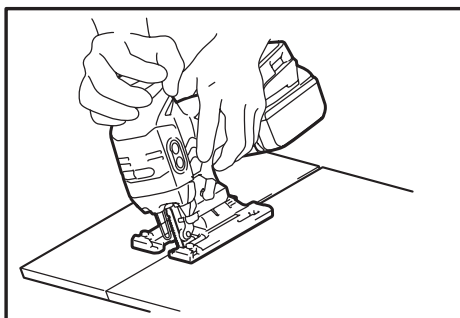
- If the tool is operated continuously until the battery cartridge has discharged, allow the tool to rest for 15 minutes before proceeding with a fresh battery.



► 1. Cutting line 2. Base

Turn the tool on without the blade making any contact and wait until the blade attains full speed. Then rest the base flat on the workpiece and gently move the tool forward along the previously marked cutting line. When cutting curves, advance the tool very slowly.

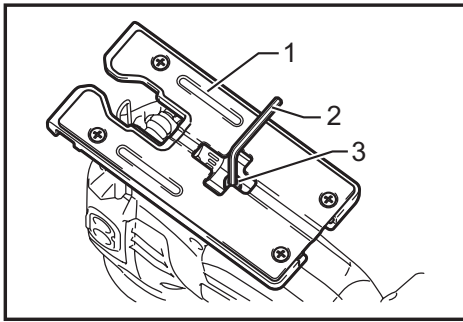
## Bevel cutting



### ⚠ CAUTION:

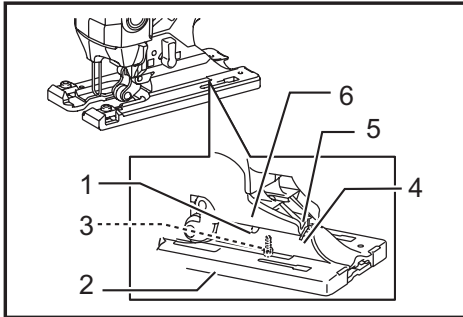
- Always be sure that the tool is switched off and the battery cartridge is removed before tilting the base.

With the base tilted, you can make bevel cuts at any angle between 0° and 45° (left or right).



► 1. Base 2. Hex wrench 3. Bolt

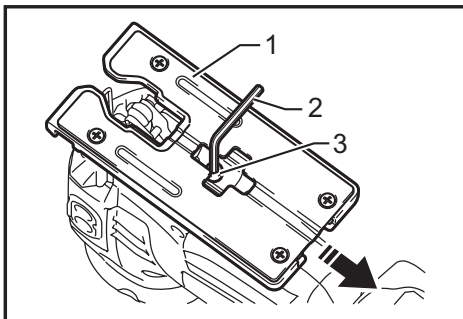
To tilt the base, loosen the bolt on the back of the base with the hex wrench. Move the base so that the bolt is positioned in the center of the bevel slot in the base.



► 1. Bevel slot 2. Base 3. Bolt 4. Graduations 5. V-notch 6. Gear housing

Tilt the base until the desired bevel angle is obtained. The V-notch of the gear housing indicates the bevel angle by graduations. Then tighten the bolt firmly to secure the base.

## Front flush cuts



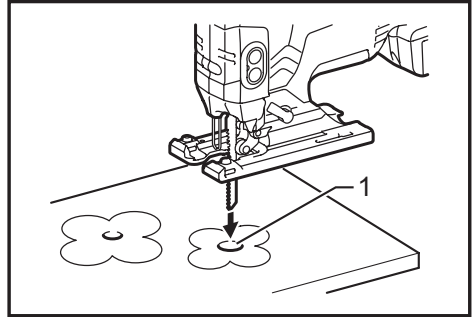
► 1. Base 2. Hex wrench 3. Bolt

Loosen the bolt on the back of the base with the hex wrench and slide the base all the way back. Then tighten the bolt to secure the base.

## Cutouts

Cutouts can be made with either of two methods A or B.

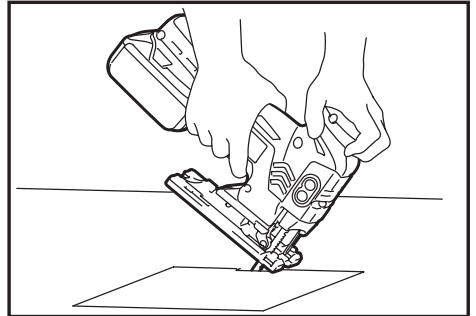
### A) Boring a starting hole:



► 1. Starting hole

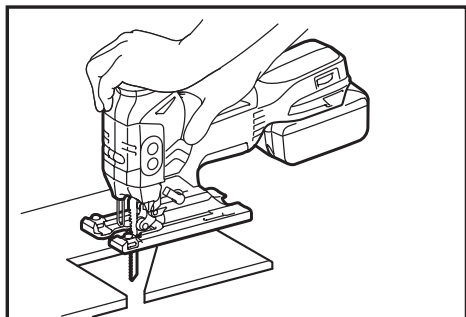
- For internal cutouts without a lead-in cut from an edge, pre-drill a starting hole 12 mm (1/2") or more in diameter. Insert the blade into this hole to start your cut.

### B) Plunge cutting:



- You need not bore a starting hole or make a lead-in cut if you carefully do as follows.
1. Tilt the tool up on the front edge of the base with the blade point positioned just above the workpiece surface.
  2. Apply pressure to the tool so that the front edge of the base will not move when you switch on the tool and gently lower the back end of the tool slowly.
  3. As the blade pierces the workpiece, slowly lower the base of the tool down onto the workpiece surface.
  4. Complete the cut in the normal manner.

## Finishing edges



To trim edges or make dimensional adjustments, run the blade lightly along the cut edges.

## Metal cutting

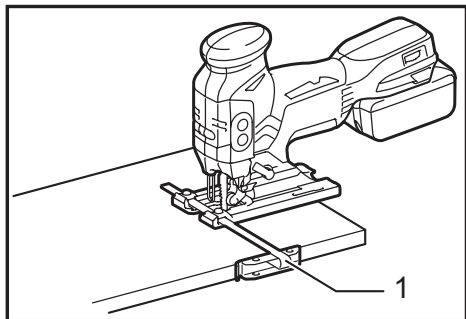
Always use a suitable coolant (cutting oil) when cutting metal. Failure to do so will cause significant blade wear. The underside of the workpiece can be greased instead of using a coolant.

## Rip fence set (optional accessory)

### ⚠ CAUTION:

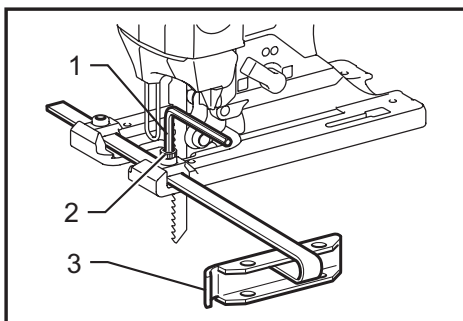
- Always be sure that the tool is switched off and the battery cartridge is removed before installing or removing accessories.

## 1. Straight cuts



► 1. Rip fence

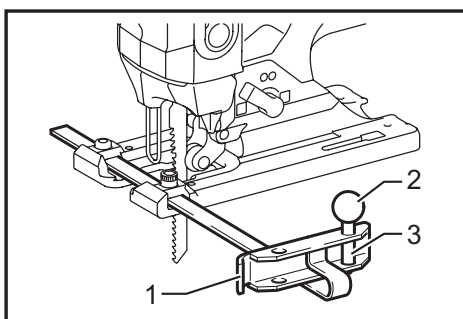
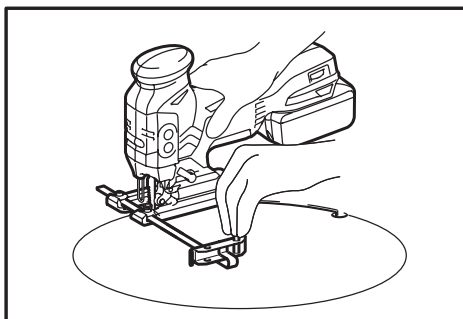
When repeatedly cutting widths of 160 mm (6-5/16") or less, use of the rip fence will assure fast, clean, straight cuts.



► 1. Hex wrench 2. Bolt 3. Fence guide

To install, insert the rip fence into the rectangular hole on the side of the tool base with the fence guide facing down. Slide the rip fence to the desired cutting width position, then tighten the bolt to secure it.

## 2. Circular cuts



► 1. Fence guide 2. Threaded knob 3. Circular guide pin

When cutting circles or arcs of 170 mm (6-11/16") or less in radius, install the rip fence as follows.

1. Insert the rip fence into the rectangular hole on the side of the base with the fence guide facing up. Insert the circular guide pin through either of the two holes on the fence guide. Screw the threaded knob onto the pin to secure the pin.
2. Now slide the rip fence to the desired cutting radius, and tighten the bolt to secure it in place. Then move the base all the way forward.

### NOTE:

- Always use blades No. B-17, B-18, B-26 or B-27 when cutting circles or arcs.

# MAINTENANCE

## **⚠ CAUTION:**

- Always be sure that the tool is switched off and the battery cartridge is removed before attempting to perform inspection or maintenance.
- Never use gasoline, benzine, thinner, alcohol or the like. Discoloration, deformation or cracks may result.

To maintain product SAFETY and RELIABILITY, repairs, any other maintenance or adjustment should be performed by Makita Authorized or Factory Service Centers, always using Makita replacement parts.

# OPTIONAL ACCESSORIES

## **⚠ CAUTION:**

- These accessories or attachments are recommended for use with your Makita tool specified in this manual. The use of any other accessories or attachments might present a risk of injury to persons. Only use accessory or attachment for its stated purpose.

If you need any assistance for more details regarding these accessories, ask your local Makita Service Center.

- Jig saw blades
- Hex wrench 4
- Rip fence (guide rule) set
- Anti-splintering device
- Cover plate
- Dust nozzle assy
- Makita genuine battery and charger

## **NOTE:**

- Some items in the list may be included in the tool package as standard accessories. They may differ from country to country.

# MAKITA LIMITED WARRANTY

Please refer to the annexed warranty sheet for the most current warranty terms applicable to this product. If annexed warranty sheet is not available, refer to the warranty details set forth at below website for your respective country.

United States of America: [www.makitatools.com](http://www.makitatools.com)

Canada: [www.makita.ca](http://www.makita.ca)

Other countries: [www.makita.com](http://www.makita.com)

## ESPECIFICACIONES

Modelo		XVJ01
Extensión de la carrera		26 mm (1")
Capacidad máxima de corte	Madera	135 mm (5-5/16")
	Acero templado	10 mm (3/8")
	Aluminio	20 mm (25/32")
Carreras por minuto		800 cpm - 3 500 cpm
Longitud total		298 mm (11-3/4")
Peso neto		2,3 - 2,6 kg (5,0 - 5,7 lbs)
Tensión nominal		18 V c.c.

- Debido a nuestro continuo programa de investigación y desarrollo, las especificaciones aquí incluidas están sujetas a cambio sin previo aviso.
- Las especificaciones pueden variar de país a país.
- El peso puede variar en función de los accesorios, incluido el cartucho de batería. En la tabla se muestra la combinación de peso más ligero y más pesado conforme al procedimiento 01/2014 de EPTA.

### Cartucho de batería y cargador aplicables

Cartucho de batería	BL1815N / BL1820B / BL1830 / BL1830B / BL1840B / BL1850B / BL1860B
Cargador	DC18RC / DC18RD / DC18SD / DC18SE / DC18SF

- Algunos de los cartuchos de batería y cargadores enumerados arriba podrían no estar disponibles dependiendo de su área de residencia.

**⚠ADVERTENCIA:** Use únicamente los cartuchos de batería y los cargadores indicados arriba. El uso de cualquier otro cartucho de batería y cargador podría ocasionar una lesión y/o un incendio.

### Advertencias generales de seguridad para herramientas eléctricas

**⚠ADVERTENCIA:** Lea todas las advertencias de seguridad, instrucciones, ilustraciones y especificaciones suministradas con esta herramienta eléctrica. El no seguir todas las instrucciones indicadas a continuación podría ocasionar una descarga eléctrica, incendio y/o lesiones graves.

### Conserve todas las advertencias e instrucciones como referencia en el futuro.

En las advertencias, el término "herramienta eléctrica" se refiere a su herramienta eléctrica de funcionamiento con conexión a la red eléctrica (con cableado eléctrico) o herramienta eléctrica de funcionamiento a batería (inalámbrica).

#### Seguridad en el área de trabajo

1. **Mantenga el área de trabajo limpia y bien iluminada.** Las áreas oscuras o desordenadas son propensas a accidentes.
2. **No utilice las herramientas eléctricas en atmósferas explosivas, tal como en la presencia de líquidos, gases o polvo inflamables.** Las herramientas eléctricas crean chispas que pueden prender fuego al polvo o los humos.

3. **Mantenga a los niños y curiosos alejados mientras utiliza una herramienta eléctrica.** Las distracciones le pueden hacer perder el control.

#### Seguridad eléctrica

1. **Las clavijas de conexión de las herramientas eléctricas deberán encajar perfectamente en la toma de corriente. No modifique nunca la clavija de conexión de ninguna forma. No utilice ninguna clavija adaptadora con herramientas eléctricas que tengan conexión a tierra (puesta a tierra).** La utilización de clavijas no modificadas y que encajen perfectamente en la toma de corriente reducirá el riesgo de que se produzca una descarga eléctrica.
2. **Evite tocar con el cuerpo superficies conectadas a tierra o puestas a tierra tales como tubos, radiadores, cocinas y refrigeradores.** Si su cuerpo es puesto a tierra o conectado a tierra existirá un mayor riesgo de que sufra una descarga eléctrica.
3. **No exponga las herramientas eléctricas a la lluvia ni a condiciones húmedas.** La entrada de agua en una herramienta eléctrica aumentará el riesgo de que se produzca una descarga eléctrica.
4. **No maltrate el cable. Nunca utilice el cable para transportar, jalar o desconectar la herramienta eléctrica. Mantenga el cable alejado del calor, aceite, objetos cortantes o piezas móviles.** Los cables dañados o enredados aumentan el riesgo de sufrir una descarga eléctrica.

5. **Cuando utilice una herramienta eléctrica en exteriores, utilice un cable de extensión apropiado para uso en exteriores.** La utilización de un cable apropiado para uso en exteriores reducirá el riesgo de que se produzca una descarga eléctrica.
6. **Si no es posible evitar usar una herramienta eléctrica en condiciones húmedas, utilice un alimentador protegido con interruptor de circuito de falla a tierra (ICFT).** El uso de un ICFT reduce el riesgo de descarga eléctrica.
7. **Las herramientas eléctricas pueden producir campos electromagnéticos (CEM) que no son dañinos para el usuario.** Sin embargo, si los usuarios tienen marcapasos y otros dispositivos médicos similares, deberán consultar al fabricante de su dispositivo y/o a su médico antes de operar esta herramienta eléctrica.
8. **No permita que la familiaridad adquirida debido al uso frecuente de las herramientas haga que se sienta confiado e ignore los principios de seguridad de las herramientas.** Un descuido podría ocasionar una lesión grave en una fracción de segundo.
9. **Utilice siempre gafas protectoras para proteger sus ojos de lesiones al usar herramientas eléctricas. Las gafas deben cumplir con la Norma ANSI Z87.1 en EUA.** Es responsabilidad del empleador imponer el uso de equipos protectores de seguridad apropiados a los operadores de la herramienta y demás personas cerca del área de trabajo.

### Seguridad personal

1. **Manténgase alerta, preste atención a lo que está haciendo y utilice su sentido común cuando opere una herramienta eléctrica. No utilice una herramienta eléctrica cuando esté cansado o bajo la influencia de drogas, alcohol o medicamentos.** Un momento de distracción mientras opera las herramientas eléctricas puede terminar en una lesión grave.
2. **Use equipo de protección personal. Póngase siempre protección para los ojos.** El equipo protector tal como máscara contra el polvo, zapatos de seguridad antiderrapantes, casco rígido y protección para oídos utilizado en las condiciones apropiadas reducirá el riesgo de lesiones.
3. **Impida el encendido accidental. Asegúrese de que el interruptor esté en la posición de apagado antes de conectar a la alimentación eléctrica y/o de colocar el cartucho de batería, así como al levantar o cargar la herramienta.** Cargar las herramientas eléctricas con su dedo en el interruptor o enchufarlas con el interruptor encendido hace que los accidentes sean comunes.
4. **Retire cualquier llave de ajuste o llave de apriete antes de encender la herramienta.** Una llave de ajuste o llave de apriete que haya sido dejada puesta en una parte giratoria de la herramienta eléctrica puede ocasionar alguna lesión.
5. **No utilice la herramienta donde no alcance. Mantenga los pies sobre suelo firme y el equilibrio en todo momento.** Esto permite un mejor control de la herramienta eléctrica en situaciones inesperadas.
6. **Use una vestimenta apropiada. No use ropa suelta ni alhajas. Mantenga el cabello, la ropa y los guantes alejados de las piezas móviles.** Las prendas de vestir holgadas, las alhajas y el cabello largo suelto podrían engancharse en estas piezas móviles.
7. **Si dispone de dispositivos para la conexión de equipos de extracción y recolección de polvo, asegúrese de conectarlos y utilizarlos debidamente.** Hacer uso de la recolección de polvo puede reducir los riesgos relacionados con el polvo.
8. **Mantenimiento y uso de la herramienta eléctrica**
  1. **No fuerce la herramienta eléctrica. Utilice la herramienta eléctrica correcta para su aplicación.** La herramienta eléctrica adecuada hará un mejor trabajo y de forma más segura a la velocidad para la que ha sido fabricada.
  2. **No utilice la herramienta eléctrica si el interruptor no la enciende y apaga.** Cualquier herramienta eléctrica que no pueda ser controlada con el interruptor es peligrosa y debe ser reemplazada.
  3. **Desconecte la clavija de la fuente de alimentación y/o retire la batería de la herramienta eléctrica, en caso de ser removible, antes de realizar ajustes, cambiar accesorios o almacenar las herramientas eléctricas.** Tales medidas de seguridad preventivas reducirán el riesgo de poner en marcha la herramienta eléctrica de forma accidental.
  4. **Guarde la herramienta eléctrica que no use fuera del alcance de los niños y no permita que las personas que no están familiarizadas con ella o con las instrucciones la operen.** Las herramientas eléctricas son peligrosas en manos de personas que no saben operarlas.
  5. **Dé mantenimiento a las herramientas eléctricas y los accesorios. Compruebe que no haya piezas móviles desalineadas o estancadas, piezas rotas y cualquier otra condición que pueda afectar al funcionamiento de la herramienta eléctrica. Si la herramienta eléctrica está dañada, haga que la reparen antes de utilizarla.** Muchos de los accidentes son ocasionados por no dar un mantenimiento adecuado a las herramientas eléctricas.
  6. **Mantenga las herramientas de corte limpias y filosas.** Si recibe un mantenimiento adecuado y tiene los bordes afilados, es probable que la herramienta se atasque menos y sea más fácil controlarla.
  7. **Utilice la herramienta eléctrica, los accesorios y las brocas de acuerdo con estas instrucciones, considerando las condiciones laborales y el trabajo a realizar.** Si utiliza la herramienta eléctrica para realizar operaciones distintas de las indicadas, podrá presentarse una situación peligrosa.
  8. **Mantenga los mangos y superficies de asiento secos, limpios y libres de aceite o grasa.** Los mangos y superficies de asiento resbalosos no permiten una manipulación segura ni el control de la herramienta en situaciones inesperadas.

9. Cuando vaya a utilizar esta herramienta, evite usar guantes de trabajo de tela ya que éstos podrían atorarse. Si los guantes de trabajo de tela llegaran a atorarse en las piezas móviles, esto podría ocasionar lesiones personales.

#### Uso y cuidado de la herramienta a batería

1. **Recargue sólo con el cargador especificado por el fabricante.** Un cargador que es adecuado para un solo tipo de batería puede generar riesgo de incendio al ser utilizado con otra batería.
2. **Utilice las herramientas eléctricas solamente con las baterías designadas específicamente para ellas.** La utilización de cualquier otra batería puede crear un riesgo de lesiones o incendio.
3. **Cuando no se esté usando la batería, manténgala alejada de otros objetos metálicos, como sujetapapeles (clips), monedas, llaves, clavos, tornillos u otros objetos pequeños de metal los cuales pueden actuar creando una conexión entre las terminales de la batería.** Originar un cortocircuito en las terminales puede causar quemaduras o incendios.
4. **En condiciones abusivas, podrá escapar líquido de la batería; evite tocarlo. Si lo toca accidentalmente, enjuague con agua. Si hay contacto del líquido con los ojos, busque asistencia médica.** Puede que el líquido expulsado de la batería cause irritación o quemaduras.
5. **No utilice una herramienta ni una batería que estén dañadas o hayan sido modificadas.** Las baterías dañadas o modificadas podrían ocasionar una situación inesperada provocando un incendio, explosión o riesgo de lesiones.
6. **No exponga la herramienta ni la batería al fuego ni a una temperatura excesiva.** La exposición al fuego o a una temperatura superior a los 130 °C podría causar una explosión.
7. **Siga todas las instrucciones para la carga y evite cargar la herramienta o la batería fuera del rango de temperatura especificado en las instrucciones.** Una carga inadecuada o a una temperatura fuera del rango especificado podría dañar la batería e incrementar el riesgo de incendio.

#### Servicio

1. **Haga que una persona calificada repare la herramienta eléctrica utilizando sólo piezas de repuesto idénticas.** Esto asegura que se mantenga la seguridad de la herramienta eléctrica.
2. **Nunca dé servicio a baterías que estén dañadas.** El servicio a las baterías solamente deberá ser efectuado por el fabricante o un agente de servicio autorizado.
3. **Siga las instrucciones para la lubricación y cambio de accesorios.**
4. **No modifique ni intente reparar el aparato ni el paquete de baterías salvo como se indique en las instrucciones para el uso y cuidado.**

## Advertencias de seguridad para la sierra caladora inalámbrica

1. **Sujete la herramienta eléctrica por las superficies de asiento aisladas cuando realice una operación en la que el accesorio de corte pueda entrar en contacto con cableado oculto.** Si el accesorio de corte entra en contacto con un cable con corriente, las piezas metálicas expuestas de la herramienta eléctrica se cargarán también de corriente y el operador podrá recibir una descarga eléctrica.
2. **Utilice abrazaderas o algún otro modo práctico para asegurar y sujetar la pieza de trabajo a una plataforma estable.** Sostener la pieza de trabajo con la mano o contra su cuerpo produce inestabilidad y una posible pérdida de control.
3. **Use siempre gafas de seguridad o protectoras.** Los anteojos comunes o para el sol NO son gafas de seguridad.
4. **Evite cortar clavos. Revise la pieza de trabajo y quite todos los clavos antes de la operación.**
5. **No corte piezas de trabajo demasiado grandes.**
6. **Compruebe que haya espacio suficiente más allá de la pieza de trabajo antes de cortar para que la cuchilla no golpee el suelo, el banco de trabajo, etc.**
7. **Sujete la herramienta firmemente.**
8. **Asegúrese de que la cuchilla no esté haciendo contacto con la pieza de trabajo antes de activar el interruptor.**
9. **Mantenga las manos alejadas de las piezas móviles.**
10. **No deje la herramienta funcionando. Tenga en marcha la herramienta solamente cuando la esté sosteniendo con la mano.**
11. **Siempre apague la herramienta y espere a que la cuchilla se haya detenido por completo antes de retirarla de la pieza de trabajo.**
12. **No toque la cuchilla ni la pieza de trabajo inmediatamente después de la operación; podrían estar extremadamente calientes y provocar quemaduras.**
13. **No opere la herramienta sin carga innecesariamente.**
14. **Algunos materiales contienen sustancias químicas que pueden ser tóxicas. Tome precauciones para evitar la inhalación de polvo y el contacto con la piel. Consulte la hoja de seguridad de materiales del proveedor.**
15. **Siempre utilice la máscara contra polvo/respirador indicado para el material y la aplicación con los que esté trabajando.**

## GUARDE ESTAS INSTRUCCIONES.

**⚠ ADVERTENCIA:** NO DEJE que la comodidad o familiaridad con el producto (a base de utilizarlo repetidamente) sustituya la estricta observancia de las normas de seguridad para dicho producto. **EL MAL USO** o el no seguir las normas de seguridad establecidas en este manual de instrucciones puede ocasionar lesiones personales graves.

## Símbolos

A continuación se muestran los símbolos utilizados para la herramienta.

V	volts o voltios
— — —	corriente directa o continua
$n_0$	velocidad sin carga
... /min r /min	revoluciones o alternaciones por minuto, frecuencia de rotación

## Instrucciones importantes de seguridad para el cartucho de batería

1. **Antes de utilizar el cartucho de batería, lea todas las instrucciones e indicaciones de precaución en el (1) el cargador de batería, (2) la batería, y (3) el producto con el que se utiliza la batería.**
2. **No desarme el cartucho de batería.**
3. **Si el tiempo de operación se ha acortado en exceso, deje de operar de inmediato. Podría correrse el riesgo de sobrecalentamiento, posibles quemaduras e incluso explosión.**
4. **En caso de que ingresen electrolitos en sus ojos, enjuáguelos bien con agua limpia y consulte de inmediato a un médico. Esto podría ocasionar pérdida de visión.**
5. **Evite cortocircuitar el cartucho de batería:**
  - (1) **No toque las terminales con ningún material conductor.**
  - (2) **Evite guardar el cartucho de batería en un cajón junto con otros objetos metálicos, tales como clavos, monedas, etc.**
  - (3) **No exponga el cartucho de batería al agua o la lluvia.**

Un cortocircuito en la batería puede causar un flujo grande de corriente, sobrecalentamiento, posibles quemaduras e incluso una descompostura.

6. **No guarde la herramienta ni el cartucho de batería en lugares donde la temperatura pueda alcanzar o exceder los 50°C (122°F).**
7. **Nunca incinere el cartucho de batería incluso en el caso de que esté dañado seriamente o ya no sirva en absoluto. El cartucho de batería puede explotar si se tira al fuego.**
8. **Tenga cuidado de no dejar caer ni golpear la batería.**
9. **No use una batería dañada.**
10. **Las baterías de ión de litio están sujetas a los requisitos reglamentarios en materia de bienes peligrosos.**

Para el transporte comercial, por ej., mediante terceros o agentes de transporte, se deben tomar en cuenta los requisitos especiales relativos al empaque y el etiquetado.

Para efectuar los preparativos del artículo que se va a enviar, se requiere consultar a un experto en materiales peligrosos. Si es posible, consulte además otras regulaciones nacionales más detalladas.

Pegue o cubra con cinta adhesiva los contactos abiertos y empaque la batería de manera que ésta no pueda moverse dentro del paquete.

11. **Siga las regulaciones locales relacionadas al desecho de las baterías.**
12. **Utilice las baterías únicamente con los productos especificados por Makita.** Instalar las baterías en productos que no cumplan con los requisitos podría ocasionar un incendio, un calentamiento excesivo, una explosión o una fuga de electrolito.

## GUARDE ESTAS INSTRUCCIONES.

**⚠PRECAUCIÓN:** Utilice únicamente baterías originales de Makita. El uso de baterías no originales de Makita, o de baterías alteradas, puede ocasionar que las baterías exploten causando un incendio, lesiones personales y daños. Asimismo, esto invalidará la garantía de Makita para la herramienta y el cargador Makita.

## Consejos para alargar al máximo la vida útil de la batería

1. **Cargue el cartucho de batería antes de que se descargue completamente. Pare siempre la operación y cargue el cartucho de batería cuando note menos potencia en la herramienta.**
2. **No cargue nunca un cartucho de batería que esté completamente cargado. La sobrecarga acortará la vida de servicio de la batería.**
3. **Cargue el cartucho de batería a una temperatura ambiente de 10 °C - 40 °C (50 °F - 104 °F). Si un cartucho de batería está caliente, déjelo enfriar antes de cargarlo.**
4. **Cargue el cartucho de batería si no va a utilizarlo durante un período prolongado (más de seis meses).**

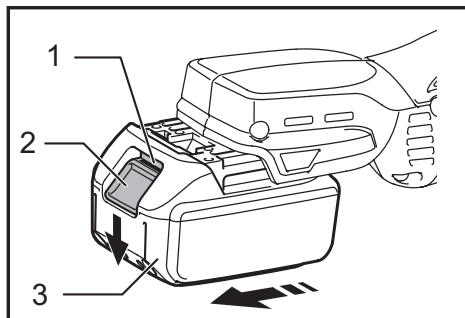


## DESCRIPCIÓN DEL FUNCIONAMIENTO

### ⚠️ PRECAUCIÓN:

- Asegúrese siempre de que la herramienta esté apagada y el cartucho de batería extraído antes de realizar cualquier ajuste o comprobación en la herramienta.

## Instalación o desmontaje del cartucho de batería



- 1. Indicador rojo 2. Botón 3. Cartucho de batería

### ⚠️ PRECAUCIÓN:

- Apague siempre la herramienta antes de colocar o quitar el cartucho de batería.
- **Sujete la herramienta y el cartucho de la batería con firmeza al colocar o quitar el cartucho.** Si no se sujeta con firmeza la herramienta y el cartucho de la batería, puede ocasionar que se resbalen de sus manos resultando en daños a la herramienta y al cartucho, así como lesiones a la persona.

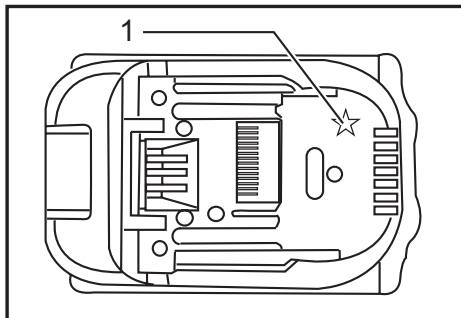
Para quitar el cartucho de batería, deslícelo de la herramienta mientras desliza el botón sobre la parte delantera del cartucho.

Para colocar el cartucho de batería, alinee la lengüeta sobre el cartucho de batería con la ranura en la carcasa y deslice en su lugar. Inserte por completo hasta que se fije en su lugar con un pequeño clic. Si puede ver el indicador rojo del lado superior del botón, esto indica que no ha quedado fijo por completo.

### ⚠️ PRECAUCIÓN:

- Introduzca siempre completamente el cartucho de batería hasta que el indicador rojo no pueda verse. Si no, podría accidentalmente salirse de la herramienta y caer al suelo causando una lesión a usted o alguien a su alrededor.
- No instale el cartucho de batería a la fuerza: si el cartucho no se desliza al interior fácilmente, se debe a que no está siendo insertado correctamente.

## Sistema de protección de batería (batería de ión de litio con marca de estrella)



- 1. Marca de estrella

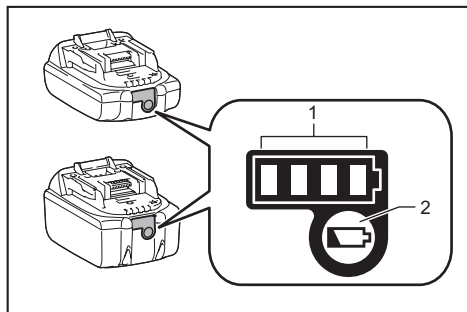
Las baterías de ión de litio con una marca de estrella están equipadas con un sistema de protección. Este sistema corta en forma automática el suministro de energía a la herramienta para prolongar la vida útil de la batería.

La herramienta se detendrá automáticamente durante el funcionamiento si la herramienta y/o la batería se someten a una de las siguientes condiciones:

- **Sobrecarga:**  
La herramienta se está utilizando de una manera que causa que consuma una cantidad de corriente inusualmente alta. En este caso, presione interruptor de encendido / apagado en la herramienta y detenga la aplicación que causó que la herramienta se sobrecargara. Luego presione el interruptor de encendido / apagado de nuevo para reiniciar. Si la herramienta no empieza a funcionar, significa que la batería se sobrecalentó. En este caso, espere que la batería se enfríe antes de volver a presionar el interruptor de encendido / apagado.
- **Bajo voltaje de la batería:**  
La capacidad restante de la batería es demasiado baja y la herramienta no funcionará. En este caso, extraiga la batería y vuelva a cargarla.

## Indicación de la capacidad restante de la batería

Únicamente para cartuchos de batería con el indicador



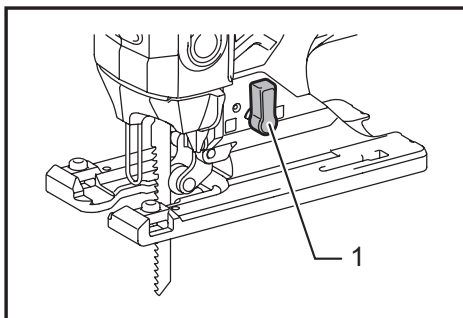
► 1. Luces indicadoras 2. Botón de verificación

Oprima el botón de verificación en el cartucho de la batería para que indique la capacidad restante de la batería. Las luces indicadoras se iluminarán por algunos segundos.

Luces indicadoras			Capacidad restante
Iluminadas	Apagadas	Parpadeando	
■	□	◐	75% a 100%
■ ■ ■ ■			
■ ■ ■ □			
■ ■ □ □			
■ □ □ □			50% a 75%
■ □ □ □			25% a 50%
■ □ □ □			0% a 25%
◐ □ □ □			Cargar la batería.
■ ■ □ □			La batería pudo haber funcionado mal.
□ □ ■ ■			

**NOTA:** Dependiendo de las condiciones de uso y la temperatura ambiente, la indicación podrá diferir ligeramente de la capacidad real.

## Selección de corte



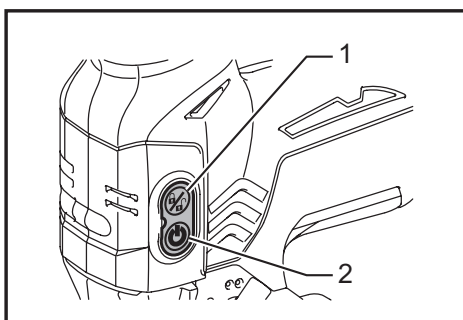
► 1. Palanca de cambio del modo de corte

Esta herramienta puede utilizarse en modo de corte con órbita o línea recta (hacia arriba y abajo). El modo de corte con órbita empuja la sierra hacia delante en la carrera de corte y aumenta notablemente la velocidad de corte.

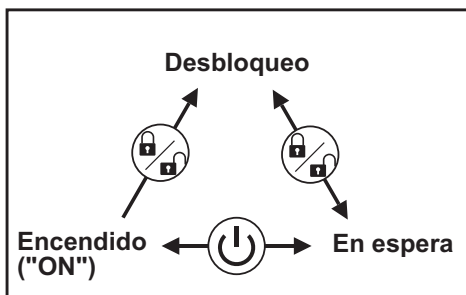
Para cambiar el modo de corte, simplemente gire la palanca de cambio del modo de corte a la posición del modo de corte deseado. Consulte la tabla para seleccionar el modo de corte apropiado.

Posición	Acción de corte	Aplicaciones
0	Acción de corte en línea recta	Para cortar acero bajo en carbono (dulce), acero inoxidable y plástico. Para cortes limpios en madera y madera laminada.
I	Acción de corte orbital pequeño	Para cortes rápidos de aluminio, acero y madera dura.
II	Acción de corte orbital mediano	Para cortes rápidos de madera y madera laminada. Para corte rápido en aluminio y acero dulce.
III	Acción de corte orbital grande	Para corte rápido en madera y contrachapado.

## Accionamiento del interruptor



► 1. Interruptor de bloqueo 2. Interruptor de encendido / en espera



Para accionar la herramienta:

Presione el interruptor de bloqueo para poner la herramienta en modo de espera. Esto también enciende la lámpara.

Presione el interruptor de encendido / en espera para activar la herramienta desde el modo de espera.

Para parar la herramienta:

Presione el interruptor de encendido / en espera para parar la herramienta y ponerla en modo de espera.

Presione el interruptor de bloqueo para poner la herramienta en modo desbloqueado.

En modo de espera, presione el interruptor de bloqueo para apagar la lámpara y poner la herramienta en modo desbloqueado.

**NOTA:**

- Cuando la herramienta esté en modo de espera, la lámpara continúa encendida.
- Si la herramienta se deja 10 segundos sin actividad en modo de espera, la herramienta automáticamente se pondrá en modo desbloqueado y la lámpara se apagará.

**Encendido de la lámpara**

**PRECAUCIÓN:**

- No mire la luz ni vea directamente hacia la fuente de luz de la lámpara.

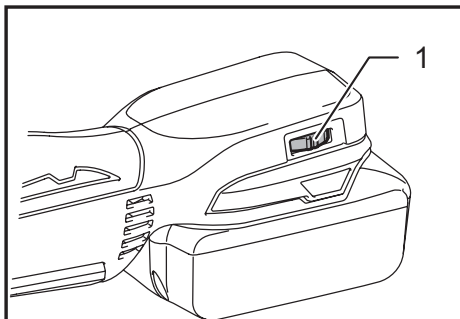
Para encender la lámpara, jale el interruptor de bloqueo.

Presionar de nuevo el interruptor de bloqueo parará la herramienta y apagará la luz.

**NOTA:**

- Utilice un paño seco para quitar la suciedad de la lente de la lámpara. Tenga cuidado de no rayar la lente de la lámpara, porque podrá disminuir la iluminación.
- Cuando la herramienta se sobrecalienta, la luz indicadora parpadea. Deje enfriar la herramienta antes de volver a usarla.

**Control de ajuste de velocidad**



► 1. Control de ajuste de velocidad

La velocidad de la herramienta puede ser infinitamente ajustada al girar el control de ajuste de velocidad. La velocidad máxima se obtiene con el ajuste 6, y la velocidad menor se obtiene con el ajuste 1.

Consulte la tabla para seleccionar la velocidad adecuada para la pieza que debe cortar. Sin embargo, la velocidad adecuada puede variar según el grosor o tipo de la pieza. En general, emplear una velocidad mayor le permitirá cortar la pieza más rápidamente, pero reducirá la vida útil de la hoja.

Pieza a cortar	Número en el control de ajuste
Madera	4 - 6
Acero templado	3 - 6
Acero inoxidable	3 - 4
Aluminio	3 - 6
Plásticos	1 - 4

**PRECAUCIÓN:**

- El control de ajuste de velocidad sólo se puede subir hasta 6 y bajar hasta 1. No lo fuerce más allá de estas marcas o de lo contrario la función de ajuste de velocidad podría arruinarse.

**NOTA:**

- Cuando el control de ajuste de velocidad se ajusta en 3 o más, la herramienta automáticamente reduce la velocidad en marcha pasiva para reducir la vibración cuando la herramienta está sin carga de trabajo. Una vez que la herramienta se somete a carga de trabajo, la herramienta retomará la velocidad preajustada. Luego la herramienta se conserva en dicha velocidad hasta que sea apagada. Cuando la temperatura es baja y la grasa tenga menor fluidez, puede que la herramienta no realice esta función ni con el motor girando.

**ENSAMBLE**

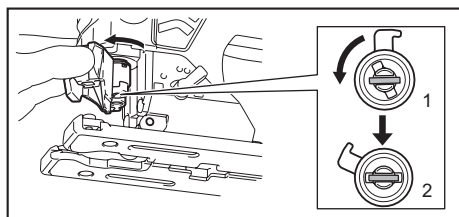
**PRECAUCIÓN:**

- Asegúrese siempre de que la herramienta esté apagada y el cartucho de batería extraído antes de realizar cualquier trabajo en la misma.

## Instalación o extracción de la cuchilla u hoja de sierra

### ⚠ PRECAUCIÓN:

- Limpie siempre todas las virutas o materias extrañas adheridas a la sierra y/o el porta-útil. En caso contrario la hoja de sierra podrá no quedar suficientemente apretada, pudiendo resultar en heridas personales graves.
- No toque la hoja de sierra ni la pieza de trabajo inmediatamente después de la operación; estarán muy calientes y podrán quemarle la piel.
- Apriete bien la hoja de sierra. En caso contrario, podrían ocasionarse heridas personales graves.
- Cuando extrae la hoja de sierra, tenga cuidado de no lastimarse los dedos con el borde de la hoja o las puntas de la pieza de trabajo.

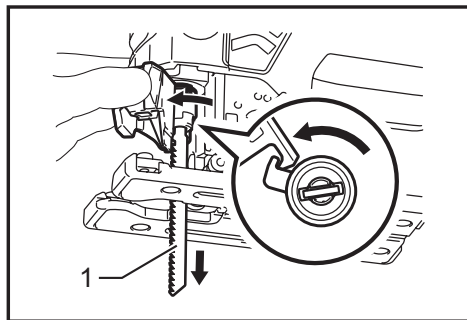


► 1. Posición fija 2. Posición liberada

Antes de instalar la sierra, asegúrese de que el porta-sierra se encuentre en la posición liberada. Para instalar la sierra, insértela (con los dientes orientados hacia adelante) en el portasierra hasta que encaje. El portasierra se mueve a la posición fijación por sí mismo, quedando fija la sierra. Jale la sierra ligeramente para asegurar que ésta no pueda salirse durante la operación.

### ⚠ PRECAUCIÓN:

- No abra el abridor de la herramienta de manera excesiva o podría dañar la herramienta.



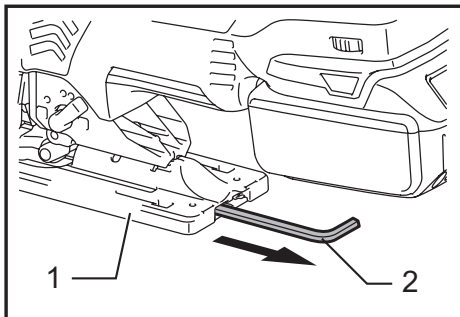
► 1. Hoja de sierra caladora

Para quitar la sierra, empuje el liberador de la herramienta hacia adelante hasta el punto que sea posible hacerlo. Esto permitirá que la sierra pueda liberarse.

### NOTA:

- Lubrique el rodillo de vez en cuando.

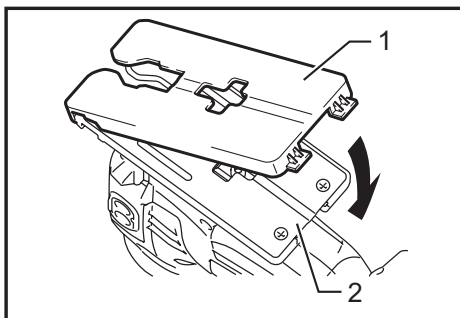
## Almacenamiento de la llave de Allen (hexagonal)



► 1. Base 2. Llave hexagonal

Cuando no la utilice, guarde la llave de Allen como se muestra en la figura para evitar que se pierda.

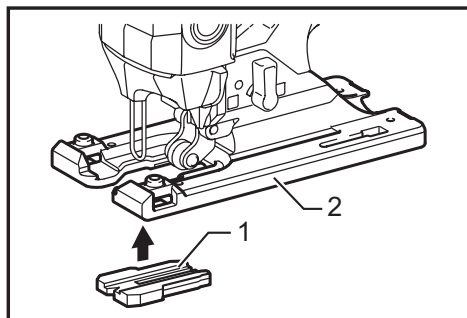
## Tapa



► 1. Placa de cubierta 2. Base

Utilice la tapa cuando corte chapas decorativas, plásticos, etc. Ésta protege las superficies sensibles o delicadas para que no se dañen. Acomódelas en la parte trasera de la base de la herramienta.

## Dispositivo antiastillado



► 1. Dispositivo antiastillado 2. Base

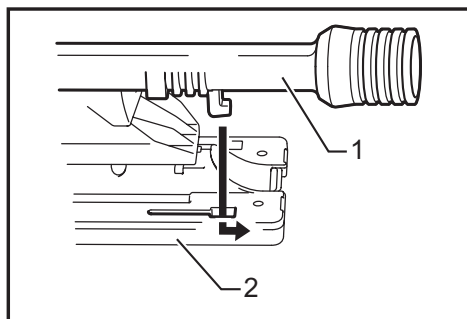
Para los cortes libres de astillas, se puede utilizar el dispositivo antiastillado. Para instalar el dispositivo antiastillado, mueva la base de la herramienta hacia delante a tope y acomódelo en la base desde la parte trasera de la base de la herramienta. Cuando utiliza la tapa, instale el dispositivo antiastillado sobre la tapa.

### ⚠PRECAUCIÓN:

- El dispositivo antiastillado no puede utilizarse para hacer cortes en bisel.

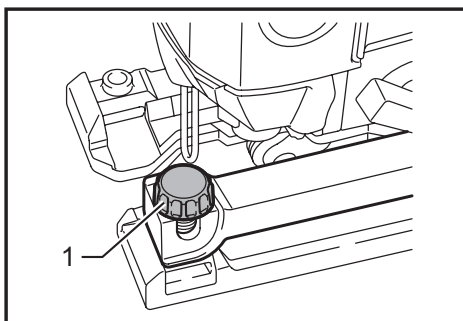
## Extracción de polvo

Se recomienda la boquilla de polvo (accesorio opcional) para realizar operaciones de corte limpias.



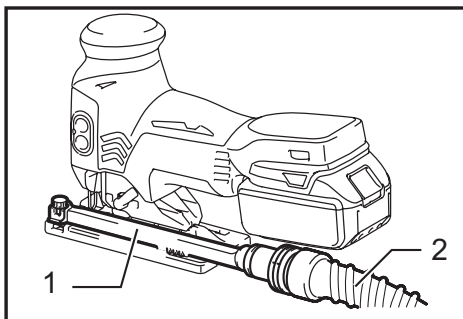
► 1. Boquilla para polvo 2. Base

Para fijar la boquilla de polvo en la herramienta, inserte los ganchos de la boquilla de polvo en el agujero de la base.



► 1. Tornillo de fijación

Para fijar la boquilla de polvo, apriete el tornillo de la prensa en la parte frontal de la boquilla de polvo. Se puede instalar la boquilla de polvo en el lado izquierdo o derecho de la base.



► 1. Boquilla para polvo 2. Manguera para aspirador

Luego, conecte un aspirador marca Makita a la boquilla de polvo.

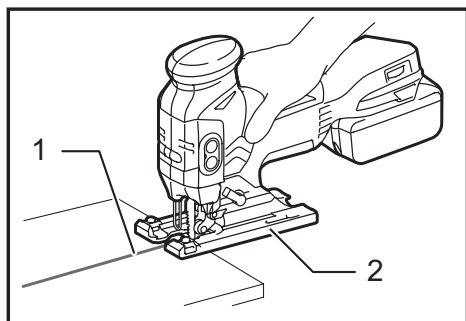
## OPERACIÓN

### ⚠PRECAUCIÓN:

- Sujete siempre la base a ras con la pieza de trabajo. En caso contrario la sierra podrá romperse, pudiendo resultar en heridas personales graves.

### NOTA:

- Si utiliza la herramienta continuamente hasta descargar el cartucho de batería, deje descansar la herramienta durante 15 minutos antes de proceder con una batería fresca.

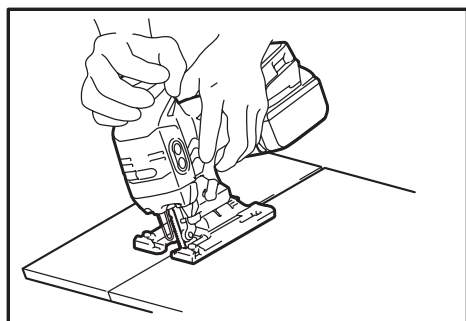


► 1. Línea de corte 2. Base

Encienda la herramienta sin que la hoja de sierra esté tocando nada y espere hasta que la hoja de sierra alcance plena velocidad. Después ponga la base horizontal sobre la pieza de trabajo y mueva la herramienta hacia delante con cuidado siguiendo la línea de corte previamente marcada.

Cuando corte curvas, avance la herramienta muy despacio.

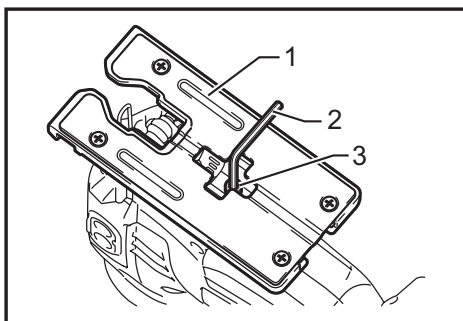
### Corte en bisel



#### **⚠ PRECAUCIÓN:**

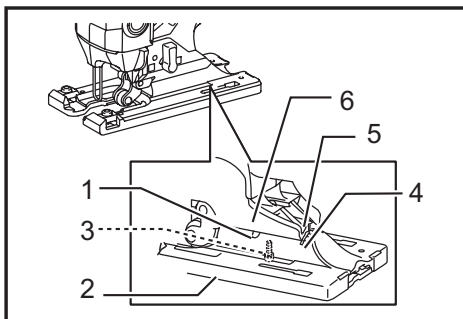
- Asegúrese siempre de que la herramienta esté apagada y que el cartucho de batería fue extraído antes de inclinar la base.

Con la base inclinada, puede hacer cortes en bisel a cualquier ángulo entre 0° y 45° (izquierda o derecha).



► 1. Base 2. Llave hexagonal 3. Tornillo

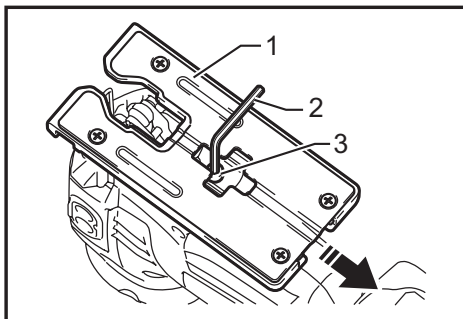
Para inclinar la base, afloje el tornillo en la parte trasera de la base con la llave hexagonal. Mueva la base de tal forma que el tornillo quede colocado al centro de la ranura del bisel en la base.



► 1. Ranura biselada 2. Base 3. Tornillo  
4. Graduaciones 5. Muesca en V 6. Caja del engranaje

Incline la base hasta que se obtenga el ángulo biselado deseado. La muesca en V de la caja de engranaje indica el ángulo biselado por medio de regulaciones. Luego, apriete el tornillo firmemente para sujetar la base.

### Cortes a ras frontales



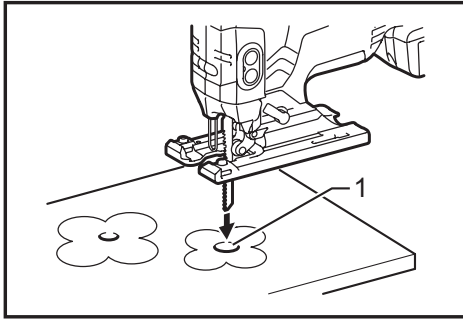
► 1. Base 2. Llave hexagonal 3. Tornillo

Afloje el tornillo de la parte trasera de la base con la llave hexagonal y deslice la base hacia atrás a tope. Después apriete el tornillo para sujetar la base.

## Recortes

Los recortes pueden hacerse con cualquiera de los dos métodos A o B.

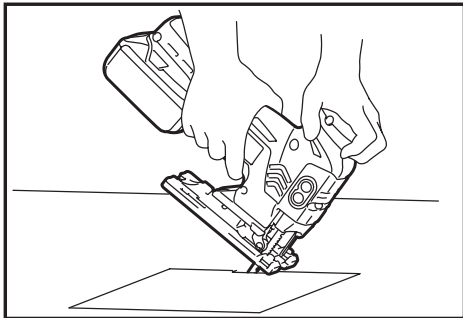
### A) Perforando de un agujero de inicio:



#### ► 1. Agujero de inicio

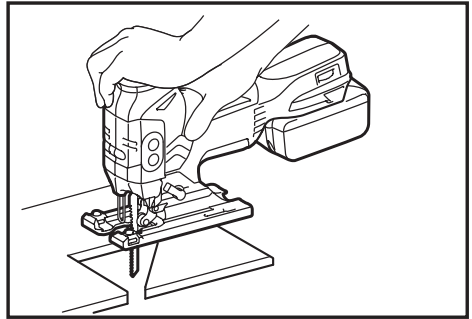
- Para recortes internos sin un corte de entrada desde un borde, perforo un agujero de inicio de 12 mm o más de diámetro previamente. Inserte la hoja de sierra en este agujero para comenzar a hacer su corte.

### B) Corte por hundimiento:



- Si hace cuidadosamente lo siguiente no necesitará perforar un agujero de inicio o corte de entrada.
1. Incline la herramienta hacia arriba sobre el borde frontal de la base con la punta de la sierra posicionada justo por encima de la pieza de trabajo.
  2. Aplique presión a la herramienta de forma que el borde frontal de la base no se mueva cuando encienda la herramienta y baje con cuidado y despacio el extremo trasero de la herramienta.
  3. A medida que la sierra vaya perforando la pieza de trabajo, baje despacio la base de la herramienta sobre la superficie de la pieza de trabajo.
  4. Complete el corte de manera normal.

## Acabado de bordes



Para recortar bordes o hacer ajustes dimensionales, pase la hoja de sierra ligeramente a lo largo de los bordes cortados.

## Corte de metales

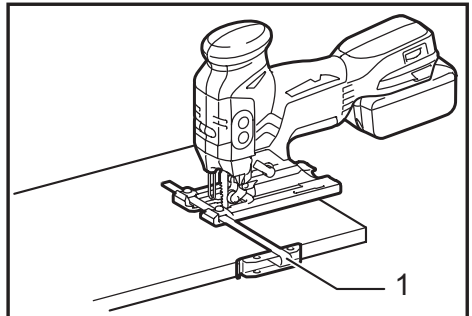
Utilice siempre un refrigerante apropiado (lubricante para cuchillas) cuando corte metales. Si no lo hace se producirá un considerable desgaste de la hoja de sierra. Se puede poner grasa en la parte inferior de la pieza de trabajo en lugar de utilizar un refrigerante.

## Conjunto de guía de corte al hilo (accesorio opcional)

### ⚠PRECAUCIÓN:

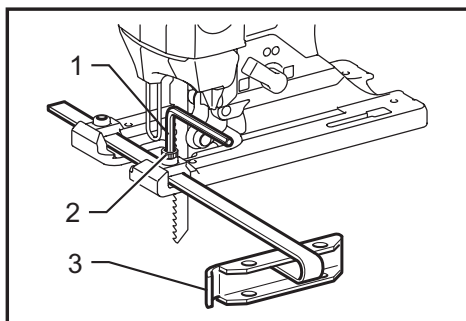
- Siempre asegúrese de que la herramienta está apagada y que haya quitado el cartucho de la batería antes de instalar o desinstalar los accesorios.

### 1. Cortes rectos



#### ► 1. Tope lateral de corte

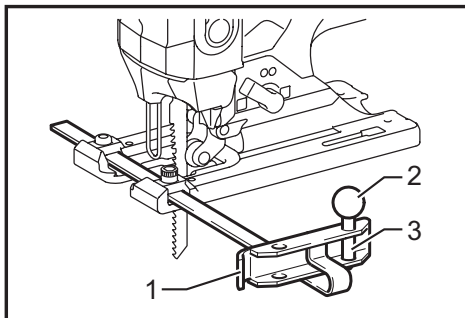
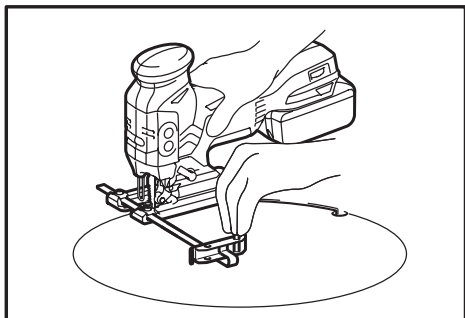
Al estar haciendo cortes repetidos con amplitud de 160 mm (6-5/16") o menores, el uso de la guía de corte le asegurará cortes rápidos, limpios y rectos.



► 1. Llave hexagonal 2. Tornillo 3. Guía lateral

Para la instalación, inserte la guía de corte al hilo en el orificio rectangular en el costado de la base de la herramienta con la guía de corte al hilo orientada hacia abajo. Deslice la guía de corte al hilo a la posición de amplitud de corte deseada, y luego apriete el tornillo para fijarla.

## 2. Cortes circulares



► 1. Guía lateral 2. Perilla roscada 3. Clavija de la guía circular

Cuando corte círculos o arcos de 170 mm o menos de radio, instale la guía de corte al hilo de la forma siguiente.

1. Inserte la guía de corte al hilo en el agujero rectangular del costado de la base con la guía lateral orientada hacia arriba. Inserte el pasador de la guía circular a través de cualquiera de los dos agujeros de la guía lateral. Gire la perilla roscada en el pasador para sujetarlo.

2. Ahora deslice la guía de corte al hilo hasta el radio de corte deseado, y después apriete el tornillo para sujetarla en su sitio. Después mueva la base hacia delante a tope.

### NOTA:

- Siempre utilice hojas de sierra N°. B-17, B-18, B-26 o B-27 cuando corte círculos o arcos.

## MANTENIMIENTO

### ⚠PRECAUCIÓN:

- Asegúrese siempre de que la herramienta esté apagada y el cartucho de batería extraído antes de intentar realizar una inspección o mantenimiento.
- Nunca use gasolina, bencina, diluyente (tíner), alcohol o sustancias similares. Puede que esto ocasione grietas o descoloramiento.

Para mantener la SEGURIDAD y FIABILIDAD del producto, las reparaciones, y cualquier otra tarea de mantenimiento o ajuste deberán ser realizadas en Centros de Servicio Autorizados por Makita, empleando siempre repuestos Makita.

## ACCESORIOS OPCIONALES

### ⚠PRECAUCIÓN:

- Estos accesorios o aditamentos (incluidos o no) están recomendados para utilizar con su herramienta Makita especificada en este manual. El empleo de cualesquiera otros accesorios o acoplamientos conllevará un riesgo de sufrir heridas personales. Utilice los accesorios o acoplamientos solamente para su fin establecido.

Si necesita cualquier ayuda para más detalles en relación con estos accesorios, pregunte a su centro de servicio Makita local.

- Hojas de sierra de sierra de calar
- Llave hexagonal 4
- Conjunto de guía de corte al hilo (regla guía)
- Dispositivo antiastillado
- Tapa
- Conjunto de boquilla de polvo
- Batería y cargador originales de Makita

### NOTA:

- Algunos de los artículos en la lista puede que vengan junto con el paquete de la herramienta como accesorios incluidos. Puede que estos accesorios varíen de país a país.



## **GARANTÍA LIMITADA DE MAKITA**

### **Ésta Garantía no aplica para México**

Consulte la hoja de la garantía anexa para ver los términos más vigentes de la garantía aplicable a este producto. En caso de no disponer de esta hoja de garantía anexa, consulte los detalles sobre la garantía descritos en el sitio web de su país respectivo indicado a continuación.

Estados Unidos de América: [www.makitatools.com](http://www.makitatools.com)

Canadá: [www.makita.ca](http://www.makita.ca)

Otros países: [www.makita.com](http://www.makita.com)





< USA only >

# WARNING

Some dust created by power sanding, sawing, grinding, drilling, and other construction activities contains chemicals known to the State of California to cause cancer, birth defects or other reproductive harm. Some examples of these chemicals are:

- lead from lead-based paints,
- crystalline silica from bricks and cement and other masonry products, and
- arsenic and chromium from chemically-treated lumber.

Your risk from these exposures varies, depending on how often you do this type of work. To reduce your exposure to these chemicals: work in a well ventilated area, and work with approved safety equipment, such as those dust masks that are specially designed to filter out microscopic particles.

< Sólo en los Estados Unidos >

# ADVERTENCIA

Algunos polvos creados por el lijado, aserrado, esmerilado, taladrado y otras actividades de la construcción contienen sustancias químicas reconocidas por el Estado de California como causantes de cáncer, defectos de nacimiento y otros peligros de reproducción. Algunos ejemplos de estos productos químicos son:

- plomo de pinturas a base de plomo,
- sílice cristalino de ladrillos y cemento y otros productos de albañilería, y
- arsénico y cromo de maderas tratadas químicamente.

El riesgo al que se expone varía, dependiendo de la frecuencia con la que realice este tipo de trabajo. Para reducir la exposición a estos productos químicos: trabaje en un área bien ventilada y póngase el equipo de seguridad indicado, tal como las máscaras contra polvo que están especialmente diseñadas para filtrar partículas microscópicas.

**Makita Corporation**

3-11-8, Sumiyoshi-cho,  
Anjo, Aichi 446-8502 Japan

[www.makita.com](http://www.makita.com)

885219-935  
XVJ01-1  
EN, ESMX  
20180125