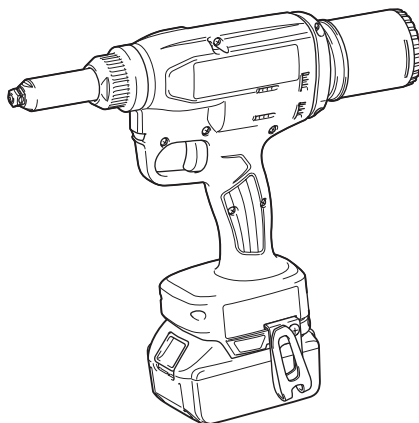


**INSTRUCTION MANUAL
MANUAL DE INSTRUCCIONES**



Cordless Rivet Gun Pistola Remachadora Inalámbrica

**XVR01
XVR02**



IMPORTANT: Read Before Using.
IMPORTANTE: Lea antes de usar.

SPECIFICATIONS

Model:	XVR01	XVR02
Pulling force	10 kN	20 kN
Stroke	25 mm (1")	30 mm (1-3/16")
Overall length	313 mm (12-3/8")	323 mm (12-3/4")
Rated voltage	D.C. 18 V	
Net weight	1.9 - 2.2 kg (4.2 - 4.9 lbs)	2.1 - 2.4 kg (4.6 - 5.3 lbs)

- Due to our continuing program of research and development, the specifications herein are subject to change without notice.
- Specifications may differ from country to country.
- The weight may differ depending on the attachment(s), including the battery cartridge. The lightest and heaviest combination, according to EPTA-Procedure 01/2014, are shown in the table.

Applicable battery cartridge and charger

Battery cartridge	BL1815N / BL1820B / BL1830 / BL1830B / BL1840B / BL1850B / BL1860B
Charger	DC18RC / DC18RD / DC18RE / DC18SD / DC18SE / DC18SF

- Some of the battery cartridges and chargers listed above may not be available depending on your region of residence.

⚠ WARNING: Only use the battery cartridges and chargers listed above. Use of any other battery cartridges and chargers may cause injury and/or fire.

SAFETY WARNINGS

General power tool safety warnings

⚠ WARNING: Read all safety warnings, instructions, illustrations and specifications provided with this power tool. Failure to follow all instructions listed below may result in electric shock, fire and/or serious injury.

Save all warnings and instructions for future reference.

The term "power tool" in the warnings refers to your mains-operated (corded) power tool or battery-operated (cordless) power tool.

Work area safety

1. **Keep work area clean and well lit.** Cluttered or dark areas invite accidents.
2. **Do not operate power tools in explosive atmospheres, such as in the presence of flammable liquids, gases or dust.** Power tools create sparks which may ignite the dust or fumes.
3. **Keep children and bystanders away while operating a power tool.** Distractions can cause you to lose control.

Electrical Safety

1. **Power tool plugs must match the outlet. Never modify the plug in any way. Do not use any adapter plugs with earthed (grounded) power tools.** Unmodified plugs and matching outlets will reduce risk of electric shock.

2. **Avoid body contact with earthed or grounded surfaces, such as pipes, radiators, ranges and refrigerators.** There is an increased risk of electric shock if your body is earthed or grounded.
3. **Do not expose power tools to rain or wet conditions.** Water entering a power tool will increase the risk of electric shock.
4. **Do not abuse the cord. Never use the cord for carrying, pulling or unplugging the power tool. Keep cord away from heat, oil, sharp edges or moving parts.** Damaged or entangled cords increase the risk of electric shock.
5. **When operating a power tool outdoors, use an extension cord suitable for outdoor use.** Use of a cord suitable for outdoor use reduces the risk of electric shock.
6. **If operating a power tool in a damp location is unavoidable, use a ground fault circuit interrupter (GFCI) protected supply.** Use of a GFCI reduces the risk of electric shock.
7. **Power tools can produce electromagnetic fields (EMF) that are not harmful to the user.** However, users of pacemakers and other similar medical devices should contact the maker of their device and/or doctor for advice before operating this power tool.

Personal Safety

1. **Stay alert, watch what you are doing and use common sense when operating a power tool. Do not use a power tool while you are tired or under the influence of drugs, alcohol or medication.** A moment of inattention while operating power tools may result in serious personal injury.

2. **Use personal protective equipment. Always wear eye protection.** Protective equipment such as dust mask, non-skid safety shoes, hard hat, or hearing protection used for appropriate conditions will reduce personal injuries.
3. **Prevent unintentional starting. Ensure the switch is in the off-position before connecting to power source and/or battery pack, picking up or carrying the tool.** Carrying power tools with your finger on the switch or energising power tools that have the switch on invites accidents.
4. **Remove any adjusting key or wrench before turning the power tool on.** A wrench or a key left attached to a rotating part of the power tool may result in personal injury.
5. **Do not overreach. Keep proper footing and balance at all times.** This enables better control of the power tool in unexpected situations.
6. **Dress properly. Do not wear loose clothing or jewellery. Keep your hair, clothing and gloves away from moving parts.** Loose clothes, jewellery or long hair can be caught in moving parts.
7. **If devices are provided for the connection of dust extraction and collection facilities, ensure these are connected and properly used.** Use of dust collection can reduce dust-related hazards.
8. **Do not let familiarity gained from frequent use of tools allow you to become complacent and ignore tool safety principles.** A careless action can cause severe injury within a fraction of a second.
9. **Always wear protective goggles to protect your eyes from injury when using power tools. The goggles must comply with ANSI Z87.1 in the USA. It is an employer's responsibility to enforce the use of appropriate safety protective equipment by the tool operators and by other persons in the immediate working area.**

Power tool use and care

1. **Do not force the power tool. Use the correct power tool for your application.** The correct power tool will do the job better and safer at the rate for which it was designed.
2. **Do not use the power tool if the switch does not turn it on and off.** Any power tool that cannot be controlled with the switch is dangerous and must be repaired.
3. **Disconnect the plug from the power source and/or remove the battery pack, if detachable, from the power tool before making any adjustments, changing accessories, or storing power tools.** Such preventive safety measures reduce the risk of starting the power tool accidentally.
4. **Store idle power tools out of the reach of children and do not allow persons unfamiliar with the power tool or these instructions to operate the power tool.** Power tools are dangerous in the hands of untrained users.
5. **Maintain power tools and accessories. Check for misalignment or binding of moving parts, breakage of parts and any other condition that may affect the power tool's operation. If damaged, have the power tool repaired before use.** Many accidents are caused by poorly maintained power tools.

6. **Keep cutting tools sharp and clean.** Properly maintained cutting tools with sharp cutting edges are less likely to bind and are easier to control.
7. **Use the power tool, accessories and tool bits etc. in accordance with these instructions, taking into account the working conditions and the work to be performed.** Use of the power tool for operations different from those intended could result in a hazardous situation.
8. **Keep handles and grasping surfaces dry, clean and free from oil and grease.** Slippery handles and grasping surfaces do not allow for safe handling and control of the tool in unexpected situations.
9. **When using the tool, do not wear cloth work gloves which may be entangled.** The entanglement of cloth work gloves in the moving parts may result in personal injury.

Battery tool use and care

1. **Recharge only with the charger specified by the manufacturer.** A charger that is suitable for one type of battery pack may create a risk of fire when used with another battery pack.
2. **Use power tools only with specifically designed battery packs.** Use of any other battery packs may create a risk of injury and fire.
3. **When battery pack is not in use, keep it away from other metal objects, like paper clips, coins, keys, nails, screws or other small metal objects, that can make a connection from one terminal to another.** Shorting the battery terminals together may cause burns or a fire.
4. **Under abusive conditions, liquid may be ejected from the battery; avoid contact. If contact accidentally occurs, flush with water. If liquid contacts eyes, additionally seek medical help.** Liquid ejected from the battery may cause irritation or burns.
5. **Do not use a battery pack or tool that is damaged or modified.** Damaged or modified batteries may exhibit unpredictable behaviour resulting in fire, explosion or risk of injury.
6. **Do not expose a battery pack or tool to fire or excessive temperature.** Exposure to fire or temperature above 130 °C may cause explosion.
7. **Follow all charging instructions and do not charge the battery pack or tool outside the temperature range specified in the instructions.** Charging improperly or at temperatures outside the specified range may damage the battery and increase the risk of fire.

Service

1. **Have your power tool serviced by a qualified repair person using only identical replacement parts.** This will ensure that the safety of the power tool is maintained.
2. **Never service damaged battery packs.** Service of battery packs should only be performed by the manufacturer or authorized service providers.
3. **Follow instruction for lubricating and changing accessories.**
4. **Do not modify or attempt to repair the appliance or the battery pack except as indicated in the instructions for use and care.**

Cordless rivet gun safety warnings

1. **Hold the tool firmly.**
2. **Keep hands away from moving parts.**
3. **Always be sure you have a firm footing. Be sure no one is below when using the tool in high locations.**
4. **Be careful not to drop the broken off mandrel from high locations.** Doing so may cause an accident or injury.
5. **Do not scatter the broken off mandrels on the floor.** You may be injured by the sharp end of the broken off mandrel or by slipping on the mandrel.
6. **Do not point the tool at a person or yourself when operating the tool.** The rivet or broken off mandrel may accidentally be ejected, and you may be injured.

Symbols

The followings show the symbols used for tool.

V	volts
— — —	direct current

Important safety instructions for battery cartridge

1. **Before using battery cartridge, read all instructions and cautionary markings on (1) battery charger, (2) battery, and (3) product using battery.**
2. **Do not disassemble battery cartridge.**
3. **If operating time has become excessively shorter, stop operating immediately.** It may result in a risk of overheating, possible burns and even an explosion.
4. **If electrolyte gets into your eyes, rinse them out with clear water and seek medical attention right away.** It may result in loss of your eyesight.
5. **Do not short the battery cartridge:**
 - (1) **Do not touch the terminals with any conductive material.**
 - (2) **Avoid storing battery cartridge in a container with other metal objects such as nails, coins, etc.**
 - (3) **Do not expose battery cartridge to water or rain.**

A battery short can cause a large current flow, overheating, possible burns and even a breakdown.
6. **Do not store the tool and battery cartridge in locations where the temperature may reach or exceed 50 °C (122 °F).**
7. **Do not incinerate the battery cartridge even if it is severely damaged or is completely worn out.** The battery cartridge can explode in a fire.
8. **Be careful not to drop or strike battery.**
9. **Do not use a damaged battery.**

10. **The contained lithium-ion batteries are subject to the Dangerous Goods Legislation requirements.**

For commercial transports e.g. by third parties, forwarding agents, special requirement on packaging and labeling must be observed. For preparation of the item being shipped, consulting an expert for hazardous material is required. Please also observe possibly more detailed national regulations.

Tape or mask off open contacts and pack up the battery in such a manner that it cannot move around in the packaging.
11. **When disposing the battery cartridge, remove it from the tool and dispose of it in a safe place. Follow your local regulations relating to disposal of battery.**
12. **Use the batteries only with the products specified by Makita.** Installing the batteries to non-compliant products may result in a fire, excessive heat, explosion, or leak of electrolyte.
13. **If the tool is not used for a long period of time, the battery must be removed from the tool.**

SAVE THESE INSTRUCTIONS.

⚠ CAUTION: Only use genuine Makita batteries. Use of non-genuine Makita batteries, or batteries that have been altered, may result in the battery bursting causing fires, personal injury and damage. It will also void the Makita warranty for the Makita tool and charger.

Tips for maintaining maximum battery life

1. **Charge the battery cartridge before completely discharged. Always stop tool operation and charge the battery cartridge when you notice less tool power.**
2. **Never recharge a fully charged battery cartridge. Overcharging shortens the battery service life.**
3. **Charge the battery cartridge with room temperature at 10 °C - 40 °C (50 °F - 104 °F). Let a hot battery cartridge cool down before charging it.**
4. **Charge the battery cartridge if you do not use it for a long period (more than six months).**

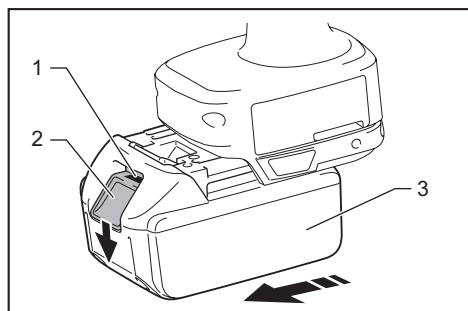
FUNCTIONAL DESCRIPTION

CAUTION: Always be sure that the tool is switched off and the battery cartridge is removed before adjusting or checking function on the tool.

Installing or removing battery cartridge

CAUTION: Always switch off the tool before installing or removing of the battery cartridge.

CAUTION: Hold the tool and the battery cartridge firmly when installing or removing battery cartridge. Failure to hold the tool and the battery cartridge firmly may cause them to slip off your hands and result in damage to the tool and battery cartridge and a personal injury.



► 1. Red indicator 2. Button 3. Battery cartridge

To remove the battery cartridge, slide it from the tool while sliding the button on the front of the cartridge.

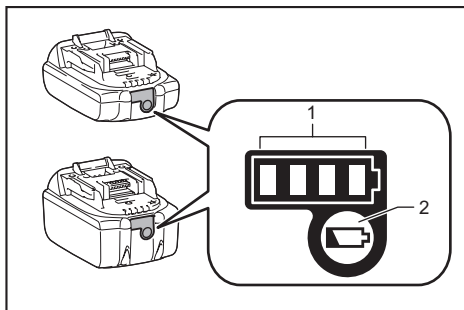
To install the battery cartridge, align the tongue on the battery cartridge with the groove in the housing and slip it into place. Insert it all the way until it locks in place with a little click. If you can see the red indicator on the upper side of the button, it is not locked completely.

CAUTION: Always install the battery cartridge fully until the red indicator cannot be seen. If not, it may accidentally fall out of the tool, causing injury to you or someone around you.

CAUTION: Do not install the battery cartridge forcibly. If the cartridge does not slide in easily, it is not being inserted correctly.

Indicating the remaining battery capacity

Only for battery cartridges with the indicator



► 1. Indicator lamps 2. Check button

Press the check button on the battery cartridge to indicate the remaining battery capacity. The indicator lamps light up for a few seconds.

Indicator lamps			Remaining capacity
Lighted	Off	Blinking	
■ ■ ■ ■			75% to 100%
■ ■ ■ □			50% to 75%
■ ■ □ □			25% to 50%
■ □ □ □			0% to 25%
▣ □ □ □			Charge the battery.
■ ■ □ □			The battery may have malfunctioned.
□ □ ■ ■			

NOTE: Depending on the conditions of use and the ambient temperature, the indication may differ slightly from the actual capacity.

Tool / battery protection system

The tool is equipped with a tool/battery protection system. This system automatically cuts off power to the motor to extend tool and battery life. The tool will automatically stop during operation if the tool or battery is placed under one of the following conditions:

Overload protection

When the battery is operated in a manner that causes it to draw an abnormally high current, the tool automatically stops without any indication. In this situation, turn the tool off and stop the application that caused the tool to become overloaded. Then turn the tool on to restart.

Overheat protection

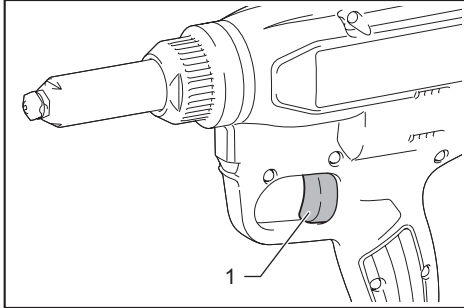
When the tool or battery is overheated, the tool stops automatically and the lamp blinks. In this case, let the tool and battery cool before turning the tool on again.

Overdischarge protection

When the battery capacity is not enough, the tool stops automatically. In this case, remove the battery from the tool and charge the battery.

Switch action

⚠ WARNING: Before installing the battery cartridge into the tool, always check to see that the switch trigger actuates properly and returns to the "OFF" position when released.



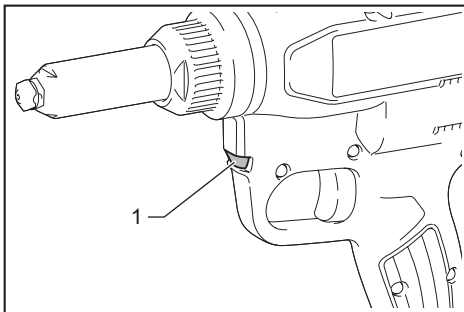
► 1. Switch trigger

To start the tool, simply pull the switch trigger. When you release the switch trigger, the tool stops and the returns to the initial position.

The tool may not in the initial position in the following cases. Return the tool to the initial position by pulling and releasing the switch trigger before operating the tool.

- When using the tool for the first time.
- After replacing the battery cartridge.
- When the tool stops because of the overload.
- After performing the maintenance.

Lighting up the front lamp



► 1. Lamp

⚠ CAUTION: Do not look in the light or see the source of light directly.

Pull the switch trigger to light up the lamp. The lamp keeps on lighting while the switch trigger is being pulled. The lamp goes out approximately 10 seconds after releasing the switch trigger.

NOTE: Use a dry cloth to wipe the dirt off the lens of the lamp. Be careful not to scratch the lens of lamp, or it may lower the illumination.

Electric brake

This tool is equipped with an electric brake. If the tool consistently fails to quickly stop after the switch trigger is released, have the tool serviced at a Makita service center.

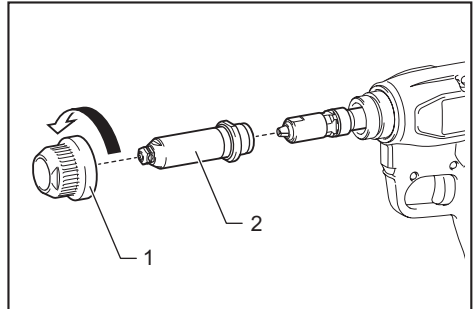
ASSEMBLY

⚠ CAUTION: Always be sure that the tool is switched off and the battery cartridge is removed before carrying out any work on the tool.

Installing or removing the head assembly

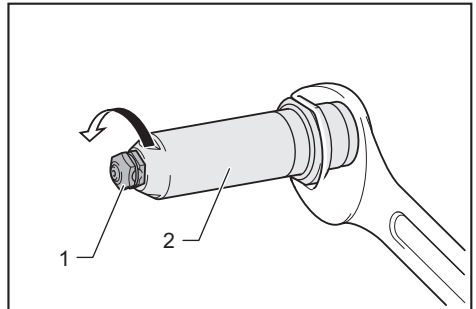
To remove the head assembly, follow the steps below.

1. Loosen the nut of the head, and then remove the head.



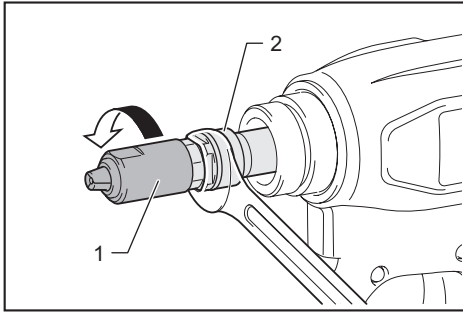
► 1. Nut 2. Head

2. Loosen the nose piece with a wrench while holding the head with another wrench.



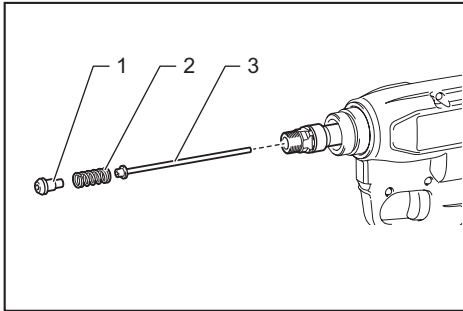
► 1. Nose piece 2. Head

3. Loosen the jaw case with a wrench while holding the joint with another wrench.



► 1. Jaw case 2. Joint

4. Remove the jaw pusher, spring, and pipe.



► 1. Jaw pusher 2. Spring 3. Pipe

NOTICE: When installing the jaw pusher, be sure to attach the spring to the jaw pusher.

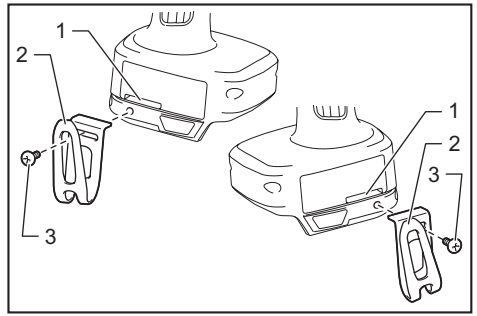
To install the head assembly, perform the removal procedure in reverse. Be sure to tighten the jaw case and nose piece with two wrenches firmly.

Hook

CAUTION: Always remove the battery when hanging the tool with the hook.

CAUTION: Never hook the tool at high location or on potentially unstable surface.

CAUTION: When hanging the tool with the hook, hang it carefully. Otherwise, the tool may drop and cause an injury.



► 1. Groove 2. Hook 3. Screw

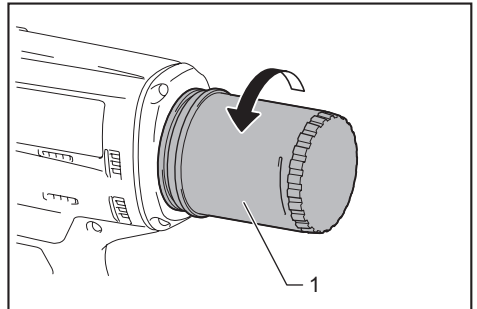
The hook is convenient for temporarily hanging the tool. This can be installed on either side of the tool.

To install the hook, insert it into a groove in the tool housing on either side and then secure it with a screw. To remove, loosen the screw and then take it out.

Installing or removing the mandrel container

NOTICE: Be sure to install the mandrel container to the tool before operating the tool. If the mandrel container is not installed to the tool, the tool will not operate.

To remove the mandrel container, rotate it counter clockwise. To install the mandrel container, rotate it clockwise.



► 1. Mandrel container

OPERATION

⚠ CAUTION: Keep your hand or face away from the front part of the tool. The rivet or broken off mandrel may accidentally ejected, and you may be injured.

Installing a blind rivet

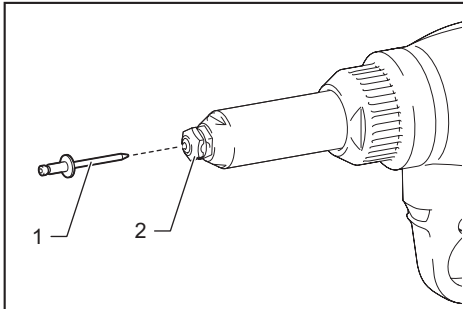
⚠ CAUTION: Before the mandrel container becomes full, empty it regularly by removing the mandrel container. Otherwise, the tool may be damaged, and the damaged parts may cause an injury.

⚠ CAUTION: When inserting a blind rivet into the nose piece, be sure to switch off the tool. Otherwise, you may be injured with the tool tip.

⚠ CAUTION: Do not leave a blind rivet in the nose piece. If the tool is switched on accidentally, the blind rivet is ejected and may cause an injury.

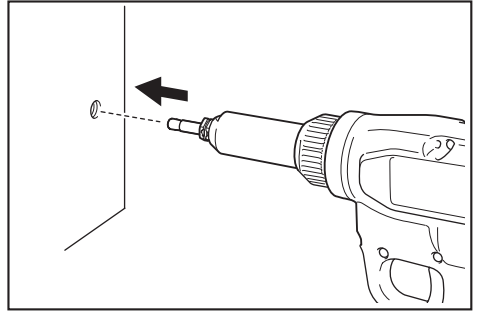
NOTICE: After installing a blind rivet, be sure to eject the broken off mandrel into the mandrel container by tilting the tool backward before installing next blind rivet. If the end of the broken off mandrel sticks out from the nose piece, switch off the tool and remove the mandrel. Otherwise, the broken off mandrels may become clogged and cause a malfunction of the tool.

1. Insert the blind rivet into the nose piece.



- 1. Blind rivet 2. Nose piece

2. Press the tool tip against the workpiece, and then pull the switch trigger. After the mandrel is broken off, release the switch trigger.



Before the mandrel container becomes full, empty it regularly by removing the mandrel container.

Available blind rivets

NOTICE: Using nose piece, jaw, jaw pusher, or pipe that does not match the mandrel diameter may cause poor fastening, clogging of the mandrel, or malfunction of the tool.

Refer to the table below for the combination of rivet, nose piece, jaw, jaw pusher, and pipe.

NOTE: Some items in the table may be included in the tool package as standard accessories and some items in the table are provided as optional accessories. They may differ from country to country.

For XVR01

Rivet		Nose piece		Mark on jaw	Jaw pusher		Pipe	
Size	Diameter of mandrel	Mark on nose piece	Hole diameter		Hole diameter	Color	Hole diameter	Color
ø2.4 mm (3/32")	ø1.4 mm (1/16") - 1.6 mm (1/16")	2.4	ø1.9 mm (1/16")	4.8	ø1.9 mm (1/16")	Gray	ø2.2 mm (3/32")	Silver
ø3.2 mm (1/8")	ø1.8 mm (1/16") - 2.1 mm (3/32")	3.2	ø2.4 mm (3/32")	4.8	ø2.5 mm (3/32")	Black	ø2.6 mm (3/32")	Black
ø4.0 mm (5/32")	ø2.2 mm (3/32") - 2.6 mm (3/32")	4.0	ø3.0 mm (1/8")	4.8	ø3.1 mm (1/8")	Gray	None *	-
ø4.8 mm (3/16")	ø2.6 mm (3/32") - 3.2 mm (1/8")	4.8	ø3.6 mm (1/8")	4.8	ø3.6 mm (1/8")	Black	None *	-

*. Pipe is not necessary for operation.

For XVR02

Rivet		Nose piece		Mark on jaw	Jaw pusher		Pipe	
Size	Diameter of mandrel	Mark on nose piece	Hole diameter		Hole diameter	Color	Hole diameter	Color
ø2.4 mm (3/32")	ø1.4 mm (1/16") - 1.6 mm (1/16")	2.4	ø1.9 mm (1/16")	4.8	ø1.9 mm (1/16")	Gray	ø2.2 mm (3/32")	Silver
ø3.2 mm (1/8")	ø1.8 mm (1/16") - 2.1 mm (3/32")	3.2	ø2.4 mm (3/32")	4.8	ø2.5 mm (3/32")	Black	ø2.6 mm (3/32")	Black
ø4.0 mm (5/32")	ø2.2 mm (3/32") - 2.6 mm (3/32")	4.0	ø3.0 mm (1/8")	4.8	ø3.1 mm (1/8")	Gray	ø3.4 mm (1/8")	Silver
ø4.8 mm (3/16")	ø2.6 mm (3/32") - 3.2 mm (1/8")	4.8	ø3.6 mm (1/8")	4.8 or 6.4	ø3.6 mm (1/8")	Black	ø4.1 mm (5/32")	Black
ø6.0 mm (1/4") *	ø3.1 mm (1/8") - 3.5 mm (1/8")	6.0	ø4.0 mm (5/32")	6.4	ø4.0 mm (5/32")	Gray	ø4.1 mm (5/32")	Black
ø6.4 mm (1/4") *	ø3.5 mm (1/8") - 3.9 mm (5/32")	6.4	ø4.4 mm (3/16")	6.4	ø4.6 mm (3/16")	Black	ø4.5 mm (3/16")	Silver

*. Stainless steel rivet is not available.

MAINTENANCE

CAUTION: Always be sure that the tool is switched off and the battery cartridge is removed before attempting to perform inspection or maintenance.

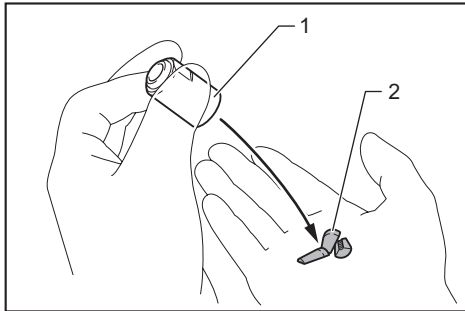
NOTICE: Never use gasoline, benzine, thinner, alcohol or the like. Discoloration, deformation or cracks may result.

To maintain product SAFETY and RELIABILITY, repairs, any other maintenance or adjustment should be performed by Makita Authorized or Factory Service Centers, always using Makita replacement parts.

Cleaning the jaws and jaw case

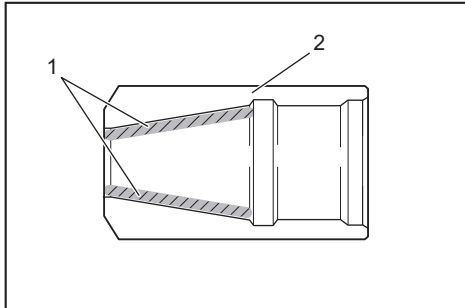
Interval of cleaning: Every 3,000 installations of rivet. If the dust is accumulated, it deteriorates the movement of jaws and may accelerate wear of jaws and jaw case. To clean the jaws and jaw case, follow the steps below.

1. Remove the jaw case. For the removal procedure, refer to the removal instructions for the head assembly.
2. Remove the jaws from the jaw case.



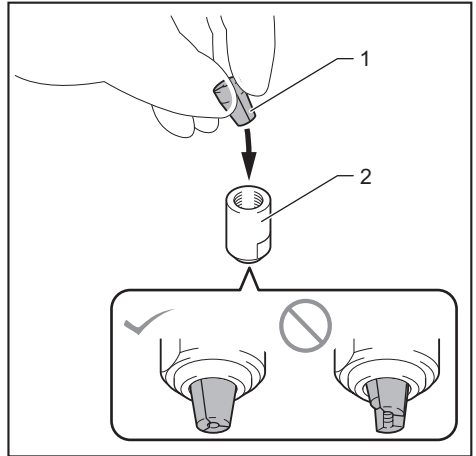
► 1. Jaw case 2. Jaw

3. Clean the jaws and jaw case with a brush. Remove metal powder clogged between the teeth of the jaws.
4. Apply molybdenum disulfide based grease evenly to the inner periphery of the jaw case.



► 1. Area to apply grease 2. Jaw case

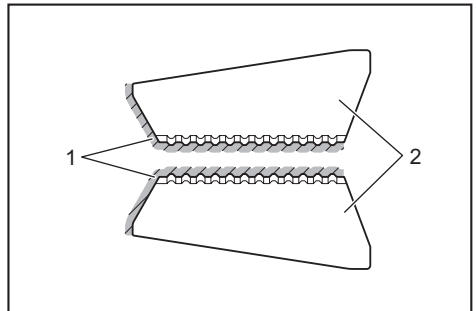
5. Install the jaws to the jaw case.



► 1. Jaw 2. Jaw case

NOTICE: When installing the jaws, be sure to align the tips of jaws.

6. Install the jaw case. If the grease is adhered to the tips of the jaws, wipe off the grease with a dry cloth.



► 1. Area where grease should not be adhered
2. Jaw

7. Install the head assembly.
8. Wipe off the grease from the jaws.

Insert a rivet into the nose piece, then move it up and down, and left and right, then remove it from the nose piece, and then wipe the grease from the rivet with a dry cloth. Repeat the same procedure twice or 3 times.

NOTICE: If the grease is adhered to the tip or inside of the jaw, the jaws may slip during operation.

Replacing the jaws in the jaw case

If the jaws in the jaw case are worn out, replace them with new ones. To replace the jaws, follow the same procedure for cleaning the jaws and jaw case. When installing jaws to the jaw case, install new jaws.

Removing jammed rivet

If the rivet is jammed inside the tool, remove it using a tool such as pin. If it is difficult to remove the jammed rivet, replace the jaw pusher or pipe with a new one. For replacement procedure, refer to the instruction for installing or removing the head assembly.

OPTIONAL ACCESSORIES

⚠ CAUTION: These accessories or attachments are recommended for use with your Makita tool specified in this manual. The use of any other accessories or attachments might present a risk of injury to persons. Only use accessory or attachment for its stated purpose.

If you need any assistance for more details regarding these accessories, ask your local Makita Service Center.

- Nose piece
- Jaw pusher
- Jaw
- Pipe
- Grease
- Makita genuine battery and charger

NOTE: Some items in the list may be included in the tool package as standard accessories. They may differ from country to country.

MAKITA LIMITED WARRANTY

Please refer to the annexed warranty sheet for the most current warranty terms applicable to this product. If annexed warranty sheet is not available, refer to the warranty details set forth at below website for your respective country.

United States of America: www.makitatools.com

Canada: www.makita.ca

Other countries: www.makita.com

ESPECIFICACIONES

Modelo:	XVR01	XVR02
Fuerza de tracción	10 kN	20 kN
Ciclo	25 mm (1")	30 mm (1-3/16")
Longitud total	313 mm (12-3/8")	323 mm (12-3/4")
Tensión nominal	18 V c.c.	
Peso neto	1,9 kg - 2,2 kg (4,2 lbs - 4,9 lbs)	2,1 kg - 2,4 kg (4,6 lbs - 5,3 lbs)

- Debido a nuestro continuo programa de investigación y desarrollo, las especificaciones aquí incluidas están sujetas a cambio sin previo aviso.
- Las especificaciones pueden variar de país a país.
- El peso puede variar en función de los accesorios, incluido el cartucho de batería. En la tabla se muestra la combinación de peso más ligero y más pesado conforme al procedimiento 01/2014 de EPTA.

Cartucho de batería y cargador aplicables

Cartucho de batería	BL1815N / BL1820B / BL1830 / BL1830B / BL1840B / BL1850B / BL1860B
Cargador	DC18RC / DC18RD / DC18RE / DC18SD / DC18SE / DC18SF

- Algunos de los cartuchos de batería y cargadores enumerados arriba podrían no estar disponibles dependiendo de su área de residencia.

⚠ ADVERTENCIA: Use únicamente los cartuchos de batería y los cargadores indicados arriba. El uso de cualquier otro cartucho de batería y cargador podría ocasionar una lesión y/o un incendio.

ADVERTENCIAS DE SEGURIDAD

Advertencias generales de seguridad para herramientas eléctricas

⚠ ADVERTENCIA: Lea todas las advertencias de seguridad, instrucciones, ilustraciones y especificaciones suministradas con esta herramienta eléctrica. El no seguir todas las instrucciones indicadas a continuación podría ocasionar una descarga eléctrica, incendio y/o lesiones graves.

Conserve todas las advertencias e instrucciones como referencia en el futuro.

En las advertencias, el término "herramienta eléctrica" se refiere a su herramienta eléctrica de funcionamiento con conexión a la red eléctrica (con cableado eléctrico) o herramienta eléctrica de funcionamiento a batería (inalámbrica).

Seguridad en el área de trabajo

1. **Mantenga el área de trabajo limpia y bien iluminada.** Las áreas oscuras o desordenadas son propensas a accidentes.
2. **No utilice las herramientas eléctricas en atmósferas explosivas, tal como en la presencia de líquidos, gases o polvo inflamables.** Las herramientas eléctricas crean chispas que pueden prender fuego al polvo o los humos.

3. **Mantenga a los niños y curiosos alejados mientras utiliza una herramienta eléctrica.** Las distracciones le pueden hacer perder el control.

Seguridad eléctrica

1. **Las clavijas de conexión de las herramientas eléctricas deberán encajar perfectamente en la toma de corriente. No modifique nunca la clavija de conexión de ninguna forma. No utilice ninguna clavija adaptadora con herramientas eléctricas que tengan conexión a tierra (puesta a tierra).** La utilización de clavijas no modificadas y que encajen perfectamente en la toma de corriente reducirá el riesgo de que se produzca una descarga eléctrica.
2. **Evite tocar con el cuerpo superficies conectadas a tierra o puestas a tierra tales como tubos, radiadores, cocinas y refrigeradores.** Si su cuerpo es puesto a tierra o conectado a tierra existirá un mayor riesgo de que sufra una descarga eléctrica.
3. **No exponga las herramientas eléctricas a la lluvia ni a condiciones húmedas.** La entrada de agua en una herramienta eléctrica aumentará el riesgo de que se produzca una descarga eléctrica.
4. **No maltrate el cable. Nunca utilice el cable para transportar, jalar o desconectar la herramienta eléctrica. Mantenga el cable alejado del calor, aceite, objetos cortantes o piezas móviles.** Los cables dañados o enredados aumentan el riesgo de sufrir una descarga eléctrica.

5. **Cuando utilice una herramienta eléctrica en exteriores, utilice un cable de extensión apropiado para uso en exteriores.** La utilización de un cable apropiado para uso en exteriores reducirá el riesgo de que se produzca una descarga eléctrica.
6. **Si no es posible evitar usar una herramienta eléctrica en condiciones húmedas, utilice un alimentador protegido con interruptor de circuito de falla a tierra (ICFT).** El uso de un ICFT reduce el riesgo de descarga eléctrica.
7. **Las herramientas eléctricas pueden producir campos electromagnéticos (CEM) que no son dañinos para el usuario.** Sin embargo, si los usuarios tienen marcapasos y otros dispositivos médicos similares, deberán consultar al fabricante de su dispositivo y/o a su médico antes de operar esta herramienta eléctrica.
8. **No permita que la familiaridad adquirida debido al uso frecuente de las herramientas haga que se sienta confiado e ignore los principios de seguridad de las herramientas.** Un descuido podría ocasionar una lesión grave en una fracción de segundo.
9. **Utilice siempre gafas protectoras para proteger sus ojos de lesiones al usar herramientas eléctricas. Las gafas deben cumplir con la Norma ANSI Z87.1 en EUA.** Es responsabilidad del empleador imponer el uso de equipos protectores de seguridad apropiados a los operadores de la herramienta y demás personas cerca del área de trabajo.

Mantenimiento y uso de la herramienta eléctrica

Seguridad personal

1. **Manténgase alerta, preste atención a lo que está haciendo y utilice su sentido común cuando opere una herramienta eléctrica. No utilice una herramienta eléctrica cuando esté cansado o bajo la influencia de drogas, alcohol o medicamentos.** Un momento de distracción mientras opera las herramientas eléctricas puede terminar en una lesión grave.
2. **Use equipo de protección personal. Póngase siempre protección para los ojos.** El equipo protector tal como máscara contra el polvo, zapatos de seguridad antiderrapantes, casco rígido y protección para oídos utilizado en las condiciones apropiadas reducirá el riesgo de lesiones.
3. **Impida el encendido accidental. Asegúrese de que el interruptor esté en la posición de apagado antes de conectar a la alimentación eléctrica y/o de colocar el cartucho de batería, así como al levantar o cargar la herramienta.** Cargar las herramientas eléctricas con su dedo en el interruptor o enchufarlas con el interruptor encendido hace que los accidentes sean comunes.
4. **Retire cualquier llave de ajuste o llave de apriete antes de encender la herramienta.** Una llave de ajuste o llave de apriete que haya sido dejada puesta en una parte giratoria de la herramienta eléctrica puede ocasionar alguna lesión.
5. **No utilice la herramienta donde no alcance. Mantenga los pies sobre suelo firme y el equilibrio en todo momento.** Esto permite un mejor control de la herramienta eléctrica en situaciones inesperadas.
6. **Use una vestimenta apropiada. No use ropa suelta ni alhajas. Mantenga el cabello, la ropa y los guantes alejados de las piezas móviles.** Las prendas de vestir holgadas, las alhajas y el cabello largo suelto podrían engancharse en estas piezas móviles.
7. **Si dispone de dispositivos para la conexión de equipos de extracción y recolección de polvo, asegúrese de conectarlos y utilizarlos debidamente.** Hacer uso de la recolección de polvo puede reducir los riesgos relacionados con el polvo.
1. **No fuerce la herramienta eléctrica. Utilice la herramienta eléctrica correcta para su aplicación.** La herramienta eléctrica adecuada hará un mejor trabajo y de forma más segura a la velocidad para la que ha sido fabricada.
2. **No utilice la herramienta eléctrica si el interruptor no la enciende y apaga.** Cualquier herramienta eléctrica que no pueda ser controlada con el interruptor es peligrosa y debe ser reemplazada.
3. **Desconecte la clavija de la fuente de alimentación y/o retire la batería de la herramienta eléctrica, en caso de ser removible, antes de realizar ajustes, cambiar accesorios o almacenar las herramientas eléctricas.** Tales medidas de seguridad preventivas reducirán el riesgo de poner en marcha la herramienta eléctrica de forma accidental.
4. **Guarde la herramienta eléctrica que no use fuera del alcance de los niños y no permita que las personas que no están familiarizadas con ella o con las instrucciones la operen.** Las herramientas eléctricas son peligrosas en manos de personas que no saben operarlas.
5. **Dé mantenimiento a las herramientas eléctricas y los accesorios. Compruebe que no haya piezas móviles desalineadas o estancadas, piezas rotas y cualquier otra condición que pueda afectar al funcionamiento de la herramienta eléctrica. Si la herramienta eléctrica está dañada, haga que la reparen antes de utilizarla.** Muchos de los accidentes son ocasionados por no dar un mantenimiento adecuado a las herramientas eléctricas.
6. **Mantenga las herramientas de corte limpias y filosas.** Si recibe un mantenimiento adecuado y tiene los bordes afilados, es probable que la herramienta se atasque menos y sea más fácil controlarla.
7. **Utilice la herramienta eléctrica, los accesorios y las brocas de acuerdo con estas instrucciones, considerando las condiciones laborales y el trabajo a realizar.** Si utiliza la herramienta eléctrica para realizar operaciones distintas de las indicadas, podrá presentarse una situación peligrosa.
8. **Mantenga los mangos y superficies de asiento secos, limpios y libres de aceite o grasa.** Los mangos y superficies de asiento resbalosos no permiten una manipulación segura ni el control de la herramienta en situaciones inesperadas.

9. Cuando vaya a utilizar esta herramienta, evite usar guantes de trabajo de tela ya que éstos podrían atorarse. Si los guantes de trabajo de tela llegaran a atorarse en las piezas móviles, esto podría ocasionar lesiones personales.

Uso y cuidado de la herramienta a batería

1. **Recargue sólo con el cargador especificado por el fabricante.** Un cargador que es adecuado para un solo tipo de batería puede generar riesgo de incendio al ser utilizado con otra batería.
2. **Utilice las herramientas eléctricas solamente con las baterías designadas específicamente para ellas.** La utilización de cualquier otra batería puede crear un riesgo de lesiones o incendio.
3. **Cuando no se esté usando la batería, manténgala alejada de otros objetos metálicos, como sujetapapeles (clips), monedas, llaves, clavos, tornillos u otros objetos pequeños de metal los cuales pueden actuar creando una conexión entre las terminales de la batería.** Originar un cortocircuito en las terminales puede causar quemaduras o incendios.
4. **En condiciones abusivas, podrá escapar líquido de la batería; evite tocarlo. Si lo toca accidentalmente, enjuague con agua. Si hay contacto del líquido con los ojos, busque asistencia médica.** Puede que el líquido expulsado de la batería cause irritación o quemaduras.
5. **No utilice una herramienta ni una batería que estén dañadas o hayan sido modificadas.** Las baterías dañadas o modificadas podrían ocasionar una situación inesperada provocando un incendio, explosión o riesgo de lesiones.
6. **No exponga la herramienta ni la batería al fuego ni a una temperatura excesiva.** La exposición al fuego o a una temperatura superior a los 130 °C podría causar una explosión.
7. **Siga todas las instrucciones para la carga y evite cargar la herramienta o la batería fuera del rango de temperatura especificado en las instrucciones.** Una carga inadecuada o a una temperatura fuera del rango especificado podría dañar la batería e incrementar el riesgo de incendio.

Servicio

1. **Haga que una persona calificada repare la herramienta eléctrica utilizando sólo piezas de repuesto idénticas.** Esto asegura que se mantenga la seguridad de la herramienta eléctrica.
2. **Nunca dé servicio a baterías que estén dañadas.** El servicio a las baterías solamente deberá ser efectuado por el fabricante o un agente de servicio autorizado.
3. **Siga las instrucciones para la lubricación y cambio de accesorios.**
4. **No modifique ni intente reparar el aparato ni el paquete de baterías salvo como se indique en las instrucciones para el uso y cuidado.**

Advertencias de seguridad para la pistola remachadora inalámbrica

1. **Sujete firmemente la herramienta.**
2. **Mantenga las manos alejadas de las piezas móviles.**
3. **Asegúrese siempre de pisar sobre suelo firme. Asegúrese de que no haya nadie debajo cuando utilice la herramienta en lugares elevados.**
4. **Tenga cuidado de no dejar caer el mandril desprendido desde lugares elevados.** El hacerlo podría ocasionar un accidente o una lesión.
5. **No esparza los mandriles desprendidos en el piso.** Podría lesionarse por el extremo afilado del mandril desprendido o por resbalarse sobre el mandril.
6. **No apunte la herramienta a ninguna persona o a usted mismo cuando opere la herramienta.** El remache o el mandril desprendido podrían salir expulsados por accidente y podría salir lesionado.

Símbolos

A continuación se muestran los símbolos utilizados para la herramienta.

V	volts o voltios
—	corriente directa o continua

Instrucciones importantes de seguridad para el cartucho de batería

1. **Antes de utilizar el cartucho de batería, lea todas las instrucciones e indicaciones de precaución en el (1) el cargador de batería, (2) la batería, y (3) el producto con el que se utiliza la batería.**
2. **No desarme el cartucho de batería.**
3. **Si el tiempo de operación se ha acortado en exceso, deje de operar de inmediato.** Podría correrse el riesgo de sobrecalentamiento, posibles quemaduras e incluso explosión.
4. **En caso de que ingresen electrolitos en sus ojos, enjuáguelos bien con agua limpia y consulte de inmediato a un médico.** Esto podría ocasionar pérdida de visión.
5. **Evite cortocircuitar el cartucho de batería:**
 - (1) **No toque las terminales con ningún material conductor.**
 - (2) **Evite guardar el cartucho de batería en un cajón junto con otros objetos metálicos, tales como clavos, monedas, etc.**
 - (3) **No exponga el cartucho de batería al agua o la lluvia.**

Un cortocircuito en la batería puede causar un flujo grande de corriente, sobrecalentamiento, posibles quemaduras e incluso una descompostura.

6. No guarde la herramienta ni el cartucho de batería en lugares donde la temperatura pueda alcanzar o exceder los 50°C (122°F).
7. Nunca incinere el cartucho de batería incluso en el caso de que esté dañado seriamente o ya no sirva en absoluto. El cartucho de batería puede explotar si se tira al fuego.
8. Tenga cuidado de no dejar caer ni golpear la batería.
9. No use una batería dañada.
10. Las baterías de ión de litio están sujetas a los requisitos reglamentarios en materia de bienes peligrosos.

Para el transporte comercial, por ej., mediante terceros o agentes de transporte, se deben tomar en cuenta los requisitos especiales relativos al empaque y el etiquetado.

Para efectuar los preparativos del artículo que se va a enviar, se requiere consultar a un experto en materiales peligrosos. Si es posible, consulte además otras regulaciones nacionales más detalladas. Pegue o cubra con cinta adhesiva los contactos abiertos y empaque la batería de manera que ésta no pueda moverse dentro del paquete.

11. Para deshacerse del cartucho de batería, sáquelo de la herramienta y deséchelo en un lugar seguro. Siga las regulaciones locales relacionadas al desecho de las baterías.
12. Utilice las baterías únicamente con los productos especificados por Makita. Instalar las baterías en productos que no cumplan con los requisitos podría ocasionar un incendio, un calentamiento excesivo, una explosión o una fuga de electrolito.
13. Si no se utiliza la herramienta por un período largo, debe extraerse la batería de la herramienta.

GUARDE ESTAS INSTRUCCIONES.

⚠PRECAUCIÓN: Utilice únicamente baterías originales de Makita. El uso de baterías no originales de Makita, o de baterías alteradas, puede ocasionar que las baterías exploten causando un incendio, lesiones personales y daños. Asimismo, esto invalidará la garantía de Makita para la herramienta y el cargador Makita.

Consejos para alargar al máximo la vida útil de la batería

1. Cargue el cartucho de batería antes de que se descargue completamente. Pare siempre la operación y cargue el cartucho de batería cuando note menos potencia en la herramienta.
2. Cargue nunca un cartucho de batería que esté completamente cargado. La sobrecarga acortará la vida de servicio de la batería.
3. Cargue el cartucho de batería a una temperatura ambiente de 10 °C - 40 °C (50 °F - 104 °F). Si un cartucho de batería está caliente, déjelo enfriar antes de cargarlo.
4. Cargue el cartucho de batería si no va a utilizarlo durante un período prolongado (más de seis meses).

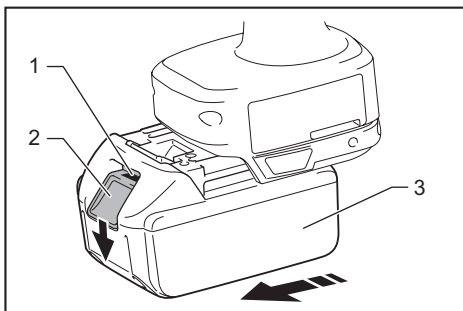
DESCRIPCIÓN DEL FUNCIONAMIENTO

⚠PRECAUCIÓN: Asegúrese siempre de que la herramienta esté apagada y el cartucho de batería haya sido extraído antes de realizar cualquier ajuste o comprobación en la herramienta.

Instalación o extracción del cartucho de batería

⚠PRECAUCIÓN: Apague siempre la herramienta antes de colocar o quitar el cartucho de batería.

⚠PRECAUCIÓN: Sujete la herramienta y el cartucho de la batería con firmeza al colocar o quitar el cartucho de batería. Si no se sujeta con firmeza la herramienta y el cartucho de batería, puede ocasionar que se resbalen de sus manos causando daños a la herramienta y al cartucho de batería, así como lesiones a la persona.



► 1. Indicador rojo 2. Botón 3. Cartucho de batería

Para quitar el cartucho de batería, deslícelo de la herramienta mientras desliza el botón sobre la parte delantera del cartucho.

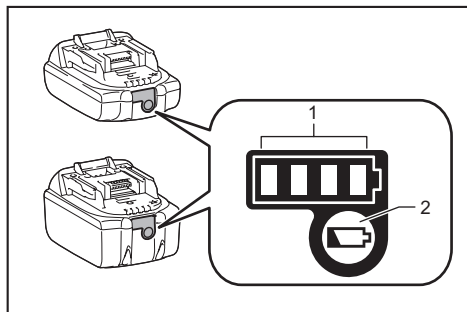
Para colocar el cartucho de batería, alinee la lengüeta sobre el cartucho de batería con la ranura en la carcasa y deslice en su lugar. Inserte por completo hasta que se fije en su lugar con un pequeño clic. Si puede ver el indicador rojo del lado superior del botón, esto indica que no ha quedado fijo por completo.

⚠PRECAUCIÓN: Introduzca siempre completamente el cartucho de batería hasta que el indicador rojo no pueda verse. Si no, podría accidentalmente salirse de la herramienta y caer al suelo causando una lesión a usted o alguien a su alrededor.

⚠PRECAUCIÓN: No instale el cartucho de batería a la fuerza. Si el cartucho no se desliza al interior fácilmente, se debe a que no está siendo insertado correctamente.

Indicación de la capacidad restante de la batería

Únicamente para cartuchos de batería con el indicador



► 1. Luces indicadoras 2. Botón de verificación

Oprima el botón de verificación en el cartucho de la batería para que indique la capacidad restante de la batería. Las luces indicadoras se iluminarán por algunos segundos.

Luces indicadoras			Capacidad restante
Iluminadas	Apagadas	Parpadeando	
■ ■ ■ ■			75% a 100%
■ ■ ■ □			50% a 75%
■ ■ □ □			25% a 50%
■ □ □ □			0% a 25%
▣ □ □ □			Cargar la batería.
■ ■ □ □			La batería pudo haber funcionado mal.
□ □ ■ ■	↑ ↓		

NOTA: Dependiendo de las condiciones de uso y la temperatura ambiente, la indicación podrá diferir ligeramente de la capacidad real.

Sistema de protección para la herramienta/batería

La herramienta está equipada con un sistema de protección de la herramienta/batería. Este sistema corta en forma automática el suministro de energía al motor para prolongar la vida útil de la herramienta y la batería. La herramienta se detendrá automáticamente durante la operación si la herramienta o la batería se someten a una de las siguientes condiciones:

Protección contra sobrecarga

Cuando la batería se esté utilizando de una manera que cause que consuma una cantidad de corriente anormalmente alta, la herramienta se detendrá automáticamente sin indicación alguna. En este caso, apague la herramienta y detenga la aplicación que causó que la herramienta se sobrecargara. Luego encienda la herramienta para reiniciarla.

Protección contra sobrecalentamiento

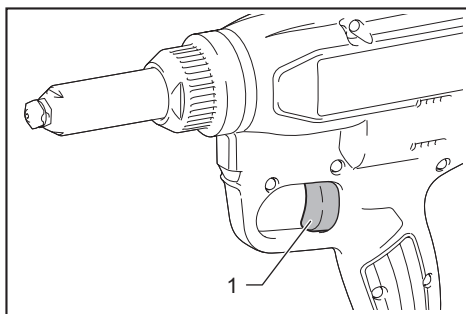
Cuando la herramienta o la batería se sobrecalienten, la herramienta se detendrá automáticamente y la lámpara parpadeará. En este caso, permita que la herramienta y la batería se enfrién antes de volver a encender la herramienta.

Protección en caso de sobredescarga

Cuando la capacidad de la batería no es suficiente, la herramienta se detiene automáticamente. En este caso, retire la batería de la herramienta y cárguela.

Accionamiento del interruptor

⚠ ADVERTENCIA: Antes de insertar el cartucho de batería en la herramienta, compruebe siempre y cerciórese de que el gatillo interruptor se acciona debidamente y que vuelve a la posición "OFF" (apagado) cuando lo suelta.



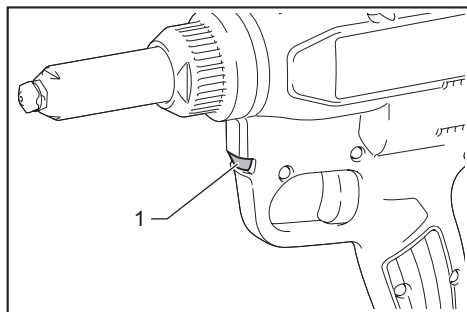
► 1. Gatillo interruptor

Para poner en marcha la herramienta, simplemente apriete el gatillo interruptor. Cuando libere el gatillo interruptor, la herramienta se detiene y luego regresa a su posición inicial.

La herramienta podría no regresar a la posición inicial en los casos siguientes. Antes de operar la herramienta, regrese la herramienta a la posición inicial al jalar el gatillo interruptor y luego soltarlo.

- Cuando se usa la herramienta por primera vez.
- Después de reemplazar el cartucho de batería.
- Cuando la herramienta se detiene por motivo de la sobrecarga.
- Después de realizar el mantenimiento.

Iluminación de la luz delantera



► 1. Luz

⚠PRECAUCIÓN: No mire a la luz ni vea a la fuente de luz directamente.

Jale el gatillo interruptor para encender la luz. La luz continúa iluminándose mientras se está jalando el gatillo interruptor. La luz se apaga aproximadamente 10 segundos tras haber liberado el gatillo interruptor.

NOTA: Utilice un paño seco para quitar la suciedad de la lente de la lámpara. Tenga cuidado de no rayar la lente de la lámpara ya que la iluminación podría disminuir.

Freno eléctrico

La herramienta está equipada con un freno eléctrico. Si la herramienta falla constantemente en detenerse tras soltar el gatillo interruptor, lleve la herramienta a mantenimiento a un centro de servicio Makita.

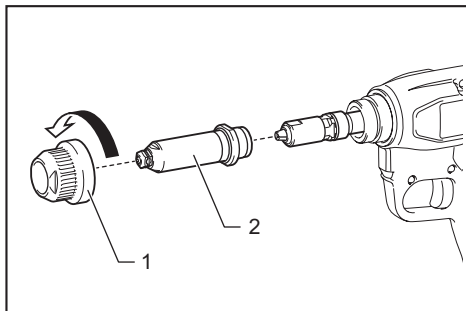
MONTAJE

⚠PRECAUCIÓN: Asegúrese siempre de que la herramienta esté apagada y el cartucho de batería haya sido extraído antes de realizar cualquier trabajo en la misma.

Instalación o extracción del conjunto de cabezal

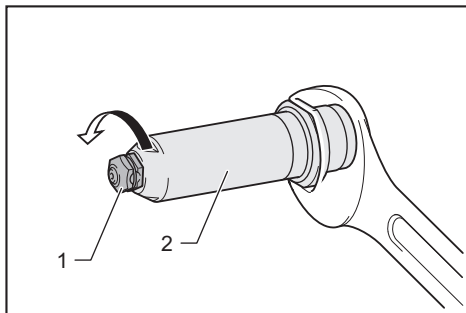
Para extraer el conjunto de cabezal, siga los pasos a continuación.

1. Afloje la tuerca del cabezal y posteriormente extraiga el cabezal.



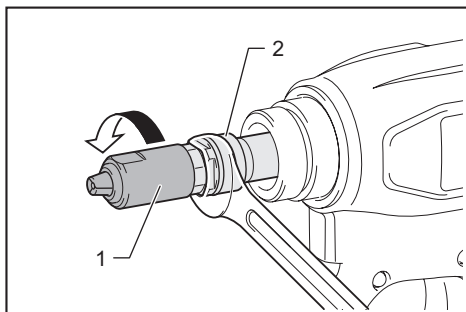
► 1. Tuerca 2. Cabezal

2. Afloje la boquilla con una llave mientras sostiene el cabezal con una llave adicional.



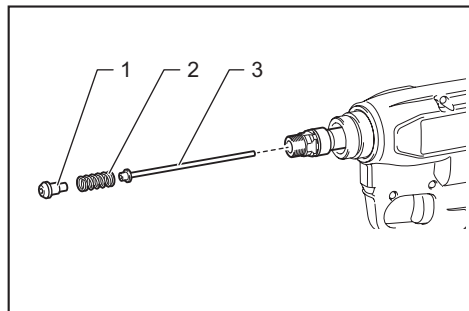
► 1. Boquilla 2. Cabezal

3. Afloje la carcasa de las mordazas con una llave mientras sostiene la junta con una llave adicional.



► 1. Carcasa de las mordazas 2. Junta

4. Extraiga el impulsor de las mordazas, el resorte y el tubo.



- 1. Impulsor de las mordazas 2. Resorte 3. Tubo

AVISO: Cuando instale el impulsor de las mordazas, asegúrese de unir el resorte con el impulsor de las mordazas.

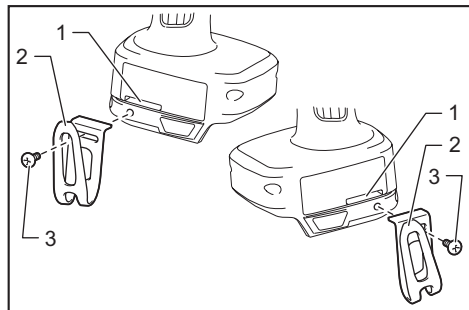
Para instalar el conjunto de cabezal, realice el procedimiento de extracción en orden inverso. Asegúrese de apretar la carcasa de las mordazas y la boquilla con dos llaves firmemente.

Gancho

⚠PRECAUCIÓN: Retire siempre la batería cuando vaya a colgar la herramienta con el gancho.

⚠PRECAUCIÓN: Nunca enganche la herramienta en un lugar elevado o en una superficie potencialmente inestable.

⚠PRECAUCIÓN: Al colgar la herramienta con el gancho, hágalo con cuidado. De lo contrario, la herramienta podría caerse y ocasionar una lesión.



- 1. Ranura 2. Gancho 3. Tornillo

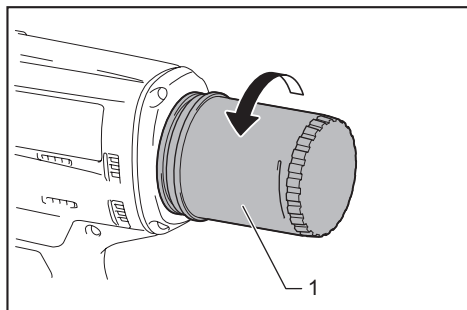
El gancho resulta conveniente para colgar temporalmente la herramienta. Éste se puede instalar en cualquiera de los lados de la herramienta.

Para instalar el gancho, insértelo en una ranura de la carcasa de la herramienta de cualquiera de los lados y luego asegúrelo con un tornillo. Para quitarlo, afloje el tornillo y después retírelo.

Instalación o extracción del contenedor del mandril

AVISO: Asegúrese de instalar el contenedor del mandril a la herramienta antes de operar la misma. Si el contenedor del mandril no se instala con la herramienta, esta no funcionará.

Para extraer el contenedor del mandril, gírelo en el sentido opuesto a las manecillas del reloj. Para instalar el contenedor del mandril, gírelo en el sentido de las manecillas del reloj.



- 1. Contenedor del mandril

OPERACIÓN

⚠PRECAUCIÓN: Mantenga su mano alejada de la parte delantera de la herramienta. El remache o el mandril desprendido podrían salir expulsados por accidente y podría salir lesionado.

Instalación de un remache ciego

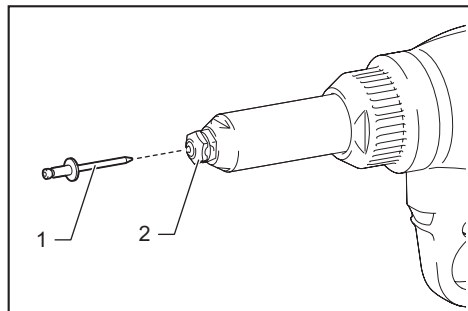
⚠PRECAUCIÓN: Antes de que se llene el contenedor del mandril, vacíelo regularmente extrayendo el contenedor del mandril. De lo contrario, la herramienta podría dañarse y las piezas dañadas podrían ocasionar una lesión.

⚠PRECAUCIÓN: Cuando inserte un remache ciego en la boquilla, asegúrese de haber apagado la herramienta. De lo contrario, puede lesionarse con la punta de la herramienta.

⚠PRECAUCIÓN: No deje un remache ciego en la boquilla. Si la herramienta se enciende por accidente, el remache ciego saldrá expulsado y podría causar una lesión.

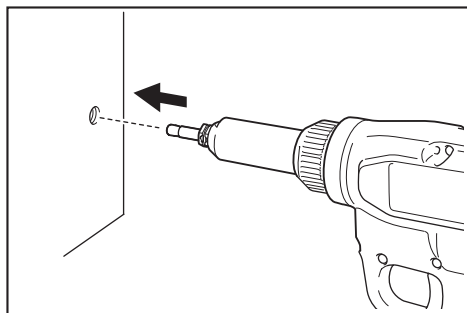
AVISO: Después de la instalación de un remache ciego, asegúrese de expulsar el mandril desprendido dentro del contenedor del mandril al inclinar la herramienta hacia atrás antes de instalar el siguiente remache ciego. Si el extremo del mandril desprendido sobresale de la boquilla, apague la herramienta y retire el mandril. De lo contrario, los mandriles desprendidos podrían quedar atorados y ocasionar una avería de la herramienta.

1. Inserte el remache ciego en la boquilla.



- 1. Remache ciego 2. Boquilla

2. Oprima la punta de la herramienta contra la pieza de trabajo y luego jale el gatillo interruptor. Una vez desprendido el mandril, suelte el gatillo interruptor.



Antes de que se llene el contenedor del mandril, vacíelo regularmente extrayendo el contenedor del mandril.

Remaches ciegos disponibles

AVISO: Usar la boquilla, mordaza, impulsor de las mordazas o el tubo que no coincidan con el diámetro del mandril podrían tener como resultado una sujeción deficiente, la obstrucción del mandril o una avería de la herramienta.

Consulte la tabla a continuación para la combinación de remache, boquilla, mordaza, impulsor de las mordazas y tubo.

NOTA: Algunos de los artículos en la tabla puede que vengan junto con el paquete de la herramienta como accesorios incluidos, mientras que otros artículos en la misma se proporcionan como accesorios opcionales. Puede que estos accesorios varíen de país a país.

Para el modelo XVR01

Remache		Boquilla		Marca en la mordaza	Impulsor de las mordazas		Tubo	
Tamaño	Diámetro del mandril	Marca en la boquilla	Diámetro del orificio		Diámetro del orificio	Color	Diámetro del orificio	Color
ø2,4 mm (3/32")	ø1,4 mm (1/16") - 1,6 mm (1/16")	2.4	ø1,9 mm (1/16")	4.8	ø1,9 mm (1/16")	Gris	ø2,2 mm (3/32")	Plata
ø3,2 mm (1/8")	ø1,8 mm (1/16") - 2,1 mm (3/32")	3.2	ø2,4 mm (3/32")	4.8	ø2,5 mm (3/32")	Negro	ø2,6 mm (3/32")	Negro
ø4,0 mm (5/32")	ø2,2 mm (3/32") - 2,6 mm (3/32")	4.0	ø3,0 mm (1/8")	4.8	ø3,1 mm (1/8")	Gris	Ninguno *	-
ø4,8 mm (3/16")	ø2,6 mm (3/32") - 3,2 mm (1/8")	4.8	ø3,6 mm (1/8")	4.8	ø3,6 mm (1/8")	Negro	Ninguno *	-

*. El tubo no es necesario para el funcionamiento.

Para el modelo XVR02

Remache		Boquilla		Marca en la mordaza	Impulsor de las mordazas		Tubo	
Tamaño	Diámetro del mandril	Marca en la boquilla	Diámetro del orificio		Diámetro del orificio	Color	Diámetro del orificio	Color
ø2,4 mm (3/32")	ø1,4 mm (1/16") - 1,6 mm (1/16")	2.4	ø1,9 mm (1/16")	4.8	ø1,9 mm (1/16")	Gris	ø2,2 mm (3/32")	Plata
ø3,2 mm (1/8")	ø1,8 mm (1/16") - 2,1 mm (3/32")	3.2	ø2,4 mm (3/32")	4.8	ø2,5 mm (3/32")	Negro	ø2,6 mm (3/32")	Negro
ø4,0 mm (5/32")	ø2,2 mm (3/32") - 2,6 mm (3/32")	4.0	ø3,0 mm (1/8")	4.8	ø3,1 mm (1/8")	Gris	ø3,4 mm (1/8")	Plata
ø4,8 mm (3/16")	ø2,6 mm (3/32") - 3,2 mm (1/8")	4.8	ø3,6 mm (1/8")	4.8 or 6.4	ø3,6 mm (1/8")	Negro	ø4,1 mm (5/32")	Negro
ø6,0 mm (1/4") *	ø3,1 mm (1/8") - 3,5 mm (1/8")	6.0	ø4,0 mm (5/32")	6.4	ø4,0 mm (5/32")	Gris	ø4,1 mm (5/32")	Negro
ø6,4 mm (1/4") *	ø3,5 mm (1/8") - 3,9 mm (5/32")	6.4	ø4,4 mm (3/16")	6.4	ø4,6 mm (3/16")	Negro	ø4,5 mm (3/16")	Plata

*. El remache de acero inoxidable no está disponible.

MANTENIMIENTO

⚠️ PRECAUCIÓN: Asegúrese siempre de que la herramienta esté apagada y el cartucho de batería extraído antes de intentar realizar una inspección o mantenimiento.

AVISO: Nunca use gasolina, bencina, diluyente (tiner), alcohol o sustancias similares. Puede que esto ocasione grietas o descoloramiento.

Para mantener la SEGURIDAD y FIABILIDAD del producto, las reparaciones, y cualquier otra tarea de mantenimiento o ajuste deberán ser realizadas en centros de servicio autorizados o de fábrica Makita, empleando siempre repuestos Makita.

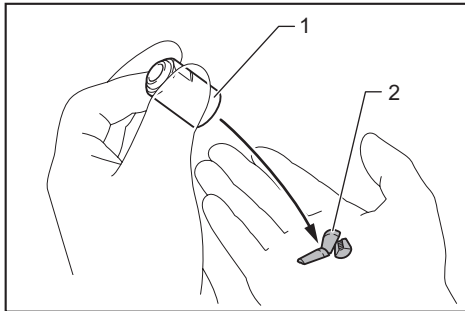
Limpieza de las mordazas y la carcasa de las mordazas

Intervalo de limpieza: Cada 3 000 instalaciones de remache

Si se acumula polvo, deteriora el movimiento de las mordazas y podría acelerar el desgaste de las mordazas y de la carcasa de las mordazas. Para limpiar las mordazas y la carcasa de las mordazas, siga los pasos a continuación.

1. Extraiga la carcasa de las mordazas. Para el procedimiento de extracción, consulte las instrucciones de extracción del conjunto de cabezal.

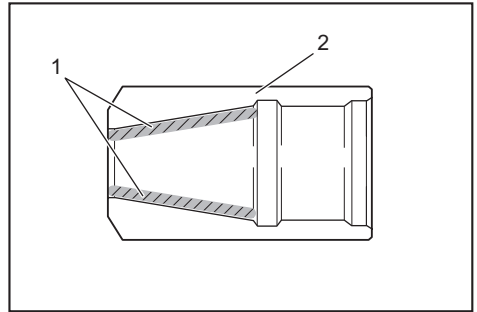
2. Extraiga las mordazas de la carcasa de las mordazas.



▶ 1. Carcasa de las mordazas 2. Mordaza

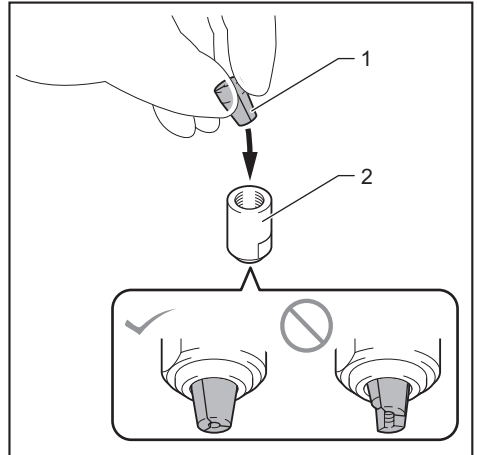
3. Limpie las mordazas y la carcasa de las mordazas con un cepillo. Retire el polvo metálico atrapado entre los dientes de las mordazas.

4. Aplique de manera uniforme grasa a base de disulfuro de molibdeno a la periferia interior de la carcasa de las mordazas.



▶ 1. Área en la cual aplicar grasa 2. Carcasa de las mordazas

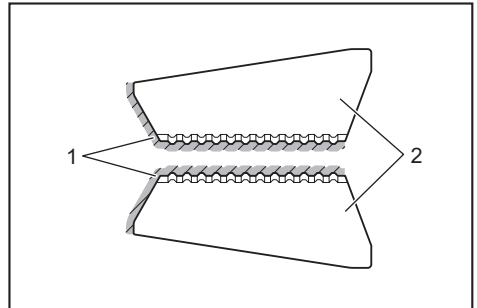
5. Instale las mordazas a la carcasa de las mordazas.



▶ 1. Mordaza 2. Carcasa de las mordazas

AVISO: Cuando instale las mordazas, asegúrese de alinear las puntas de las mordazas.

6. Instale la carcasa de las mordazas. Si la grasa se adhiere a las puntas de las mordazas, limpie la grasa con un paño seco.



▶ 1. Área en donde no debe adherirse la grasa 2. Mordaza

7. Instale el conjunto de cabezal.

8. Limpie la grasa de las mordazas.

Inserte un remache en la boquilla, luego muévelo de arriba a abajo y de izquierda a derecha, extráigalo de la boquilla y limpie la grasa del remache con un paño seco. Repita el mismo procedimiento dos o tres veces.

AVISO: Las mordazas podrían deslizarse durante la operación si la grasa se adhiere a la punta o al interior de la mordaza.

Reemplazo de las mordazas en la carcasa de las mordazas

Si las mordazas en la carcasa de las mordazas se desgastan, reemplácelas con unas nuevas. Para reemplazar las mordazas, siga el mismo procedimiento para la limpieza de las mordazas y la carcasa de las mordazas. Cuando instale las mordazas a la carcasa de las mordazas, instale mordazas nuevas.

Extracción de remaches atascados

Si el remache está atascado dentro de la herramienta, extráigalo con una herramienta como un pasador. Si se dificulta extraer el remache atascado, reemplace el impulsor de las mordazas o el tubo con uno nuevo. Para el procedimiento de reemplazo, consulte las instrucciones para la instalación o extracción del conjunto de cabezal.

ACCESORIOS OPCIONALES

⚠PRECAUCIÓN: Estos accesorios o aditamentos están recomendados para utilizarse con su herramienta Makita especificada en este manual. El empleo de cualquier otro accesorio o aditamento puede conllevar el riesgo de lesiones personales. Utilice los accesorios o aditamentos solamente para su fin establecido.

Si necesita cualquier ayuda para más detalles en relación con estos accesorios, pregunte a su centro de servicio local Makita.

- Boquilla
- Impulsor de las mordazas
- Mordaza
- Tubo
- Grasa
- Batería y cargador originales de Makita

NOTA: Algunos de los artículos en la lista pueden incluirse en el paquete de la herramienta como accesorios estándar. Éstos pueden variar de país a país.

GARANTÍA LIMITADA DE MAKITA

Ésta Garantía no aplica para México

Consulte la hoja de la garantía anexa para ver los términos más vigentes de la garantía aplicable a este producto. En caso de no disponer de esta hoja de garantía anexa, consulte los detalles sobre la garantía descritos en el sitio web de su país respectivo indicado a continuación.

Estados Unidos de América: www.makitatools.com

Canadá: www.makita.ca

Otros países: www.makita.com

< USA only >

WARNING

Some dust created by power sanding, sawing, grinding, drilling, and other construction activities contains chemicals known to the State of California to cause cancer, birth defects or other reproductive harm. Some examples of these chemicals are:

- lead from lead-based paints,
- crystalline silica from bricks and cement and other masonry products, and
- arsenic and chromium from chemically-treated lumber.

Your risk from these exposures varies, depending on how often you do this type of work. To reduce your exposure to these chemicals: work in a well ventilated area, and work with approved safety equipment, such as those dust masks that are specially designed to filter out microscopic particles.

< Sólo en los Estados Unidos >

ADVERTENCIA

Algunos polvos creados por el lijado, aserrado, esmerilado, taladrado y otras actividades de la construcción contienen sustancias químicas reconocidas por el Estado de California como causantes de cáncer, defectos de nacimiento y otros peligros de reproducción. Algunos ejemplos de estos productos químicos son:

- plomo de pinturas a base de plomo,
- sílice cristalino de ladrillos y cemento y otros productos de albañilería, y
- arsénico y cromo de maderas tratadas químicamente.

El riesgo al que se expone varía, dependiendo de la frecuencia con la que realice este tipo de trabajo. Para reducir la exposición a estos productos químicos: trabaje en un área bien ventilada y póngase el equipo de seguridad indicado, tal como las máscaras contra polvo que están especialmente diseñadas para filtrar partículas microscópicas.

Makita Corporation

3-11-8, Sumiyoshi-cho,
Anjo, Aichi 446-8502 Japan

www.makita.com

885691-943
XVR01-1
EN, ESMX
20190709