

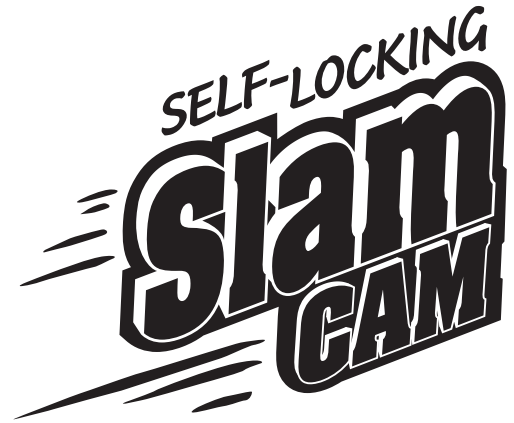
C7017 Self-Locking SlamCAM component kit

For retrofit on existing CompX National cam locks (C8051-C8075)

- 1.) Remove existing steel cam
- 2.) Install kit components as illustrated below

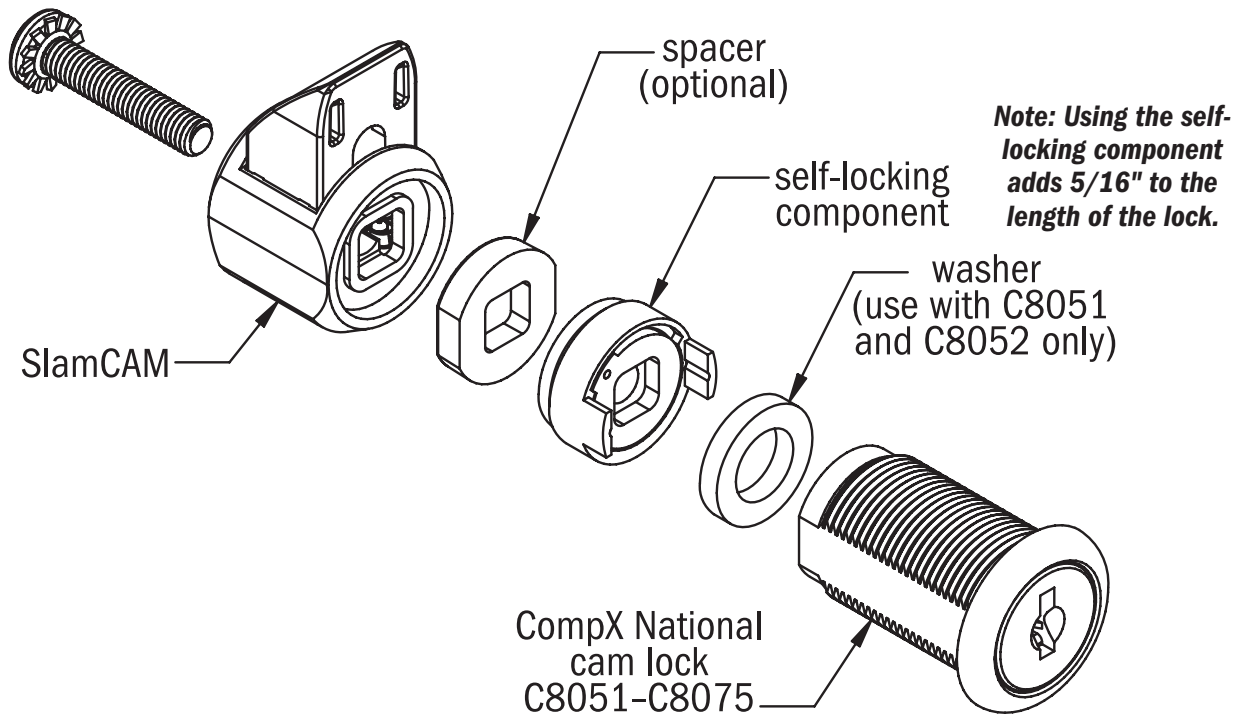
Note: Three screw lengths are included to accommodate optional spacers and varying cylinder lengths

** Steel washer will be used with C8051 (7/16") and C8052 (5/8") only **



Patents pending

▶ For more info or to view the SlamCAM video:
comp.com/slamcam



Part No.	Description	SlamCAM dimensions	Self-locking dimensions	Box quantity
NEW! C7017	SlamCAM, a spring loaded latch, along with the self-locking component, converts CompX National cam locks (C8051-C8075) into self-locking	13/16" wide, 1-7/16" high, 25/32" deep	3/4" diameter, 5/16" deep	25