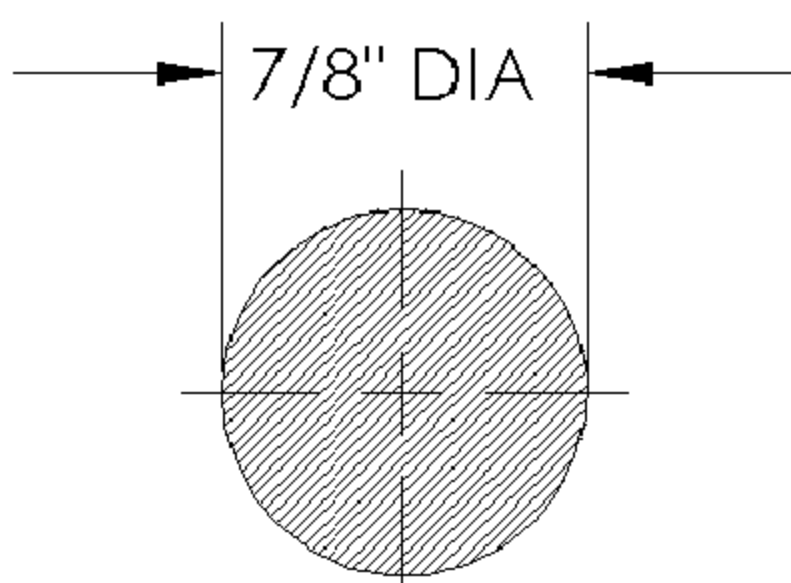
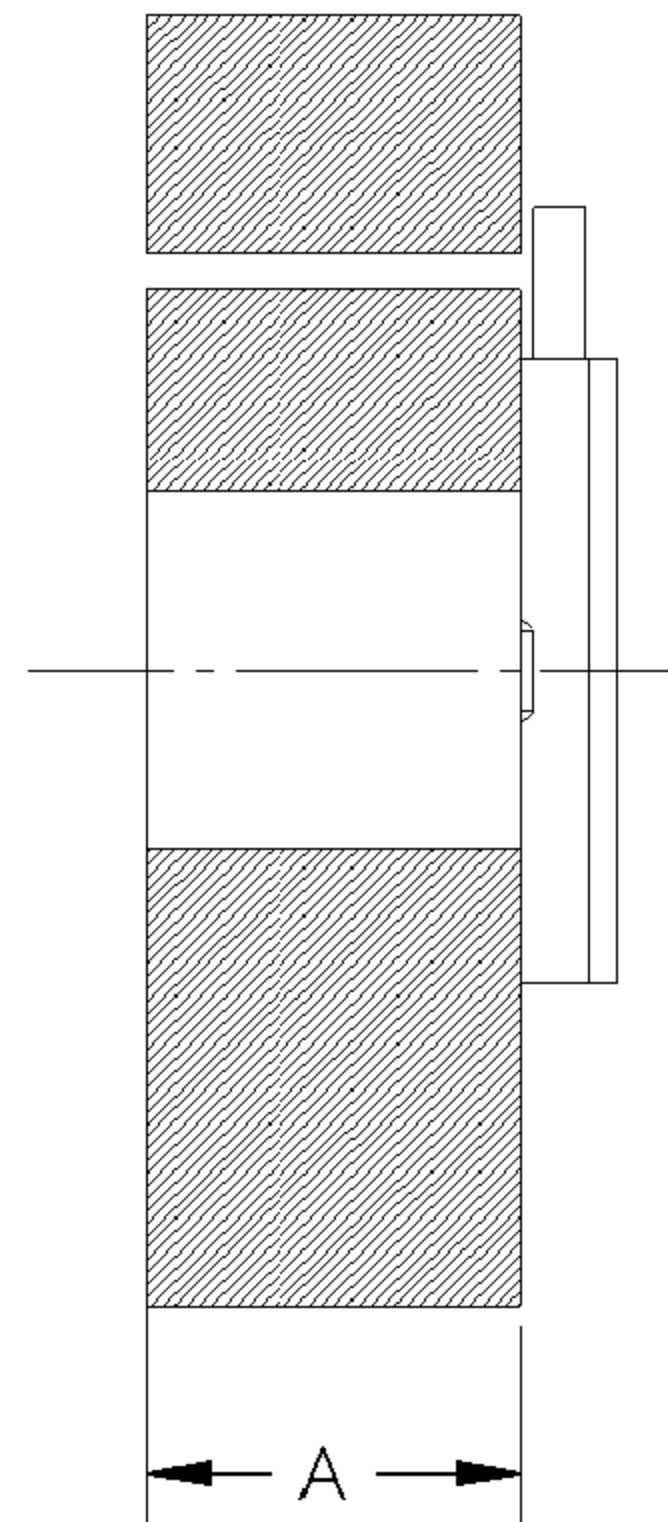
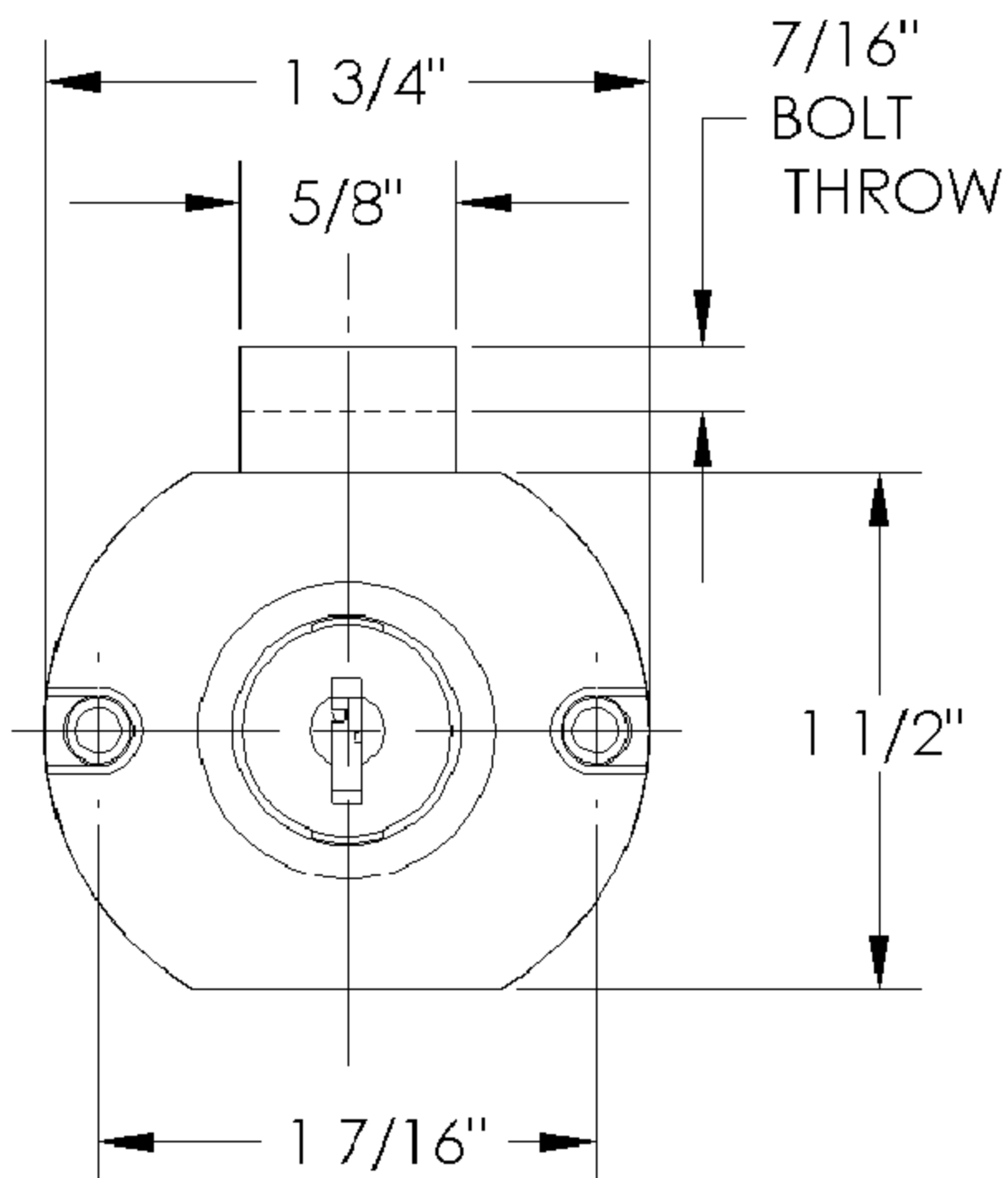
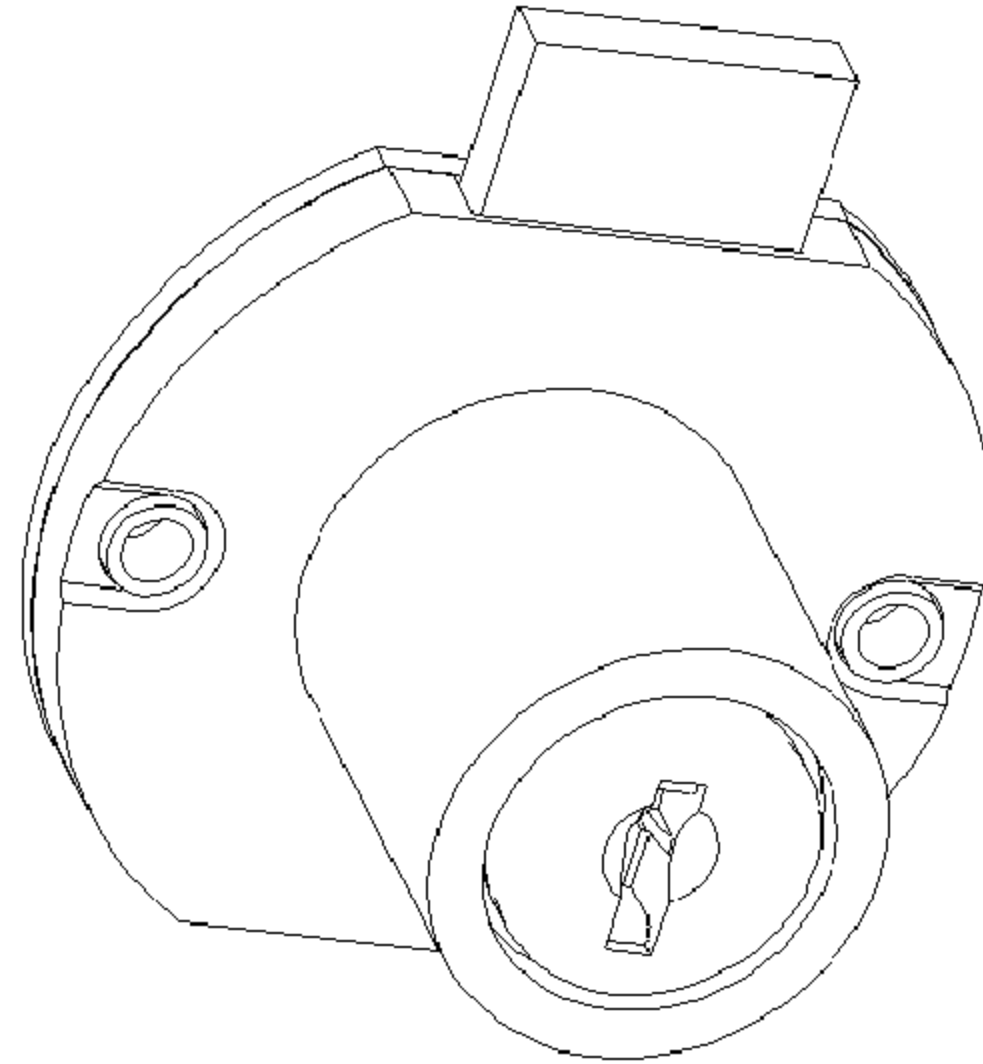


STOCK LOCKS

Manufactured by

NATIONAL 
CABINET LOCK

C8703/C8705 DISC TUMBLER DRAWER LOCK



MOUNTING HOLE

| LOCK | A |
|-------|--------|
| C8703 | .900" |
| C8705 | 1.200" |