

C9200 Mail box lock

- 5 pin tumbler
- 90° counter clockwise
- dustshutter

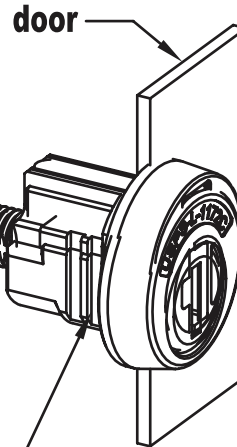
Spring mounting clip
- clip may be reversed
for cam clearance



Hex nut
- nut is out of round by design
to meet strength requirements
of USPS L-1172, small socket
and immobilization of cam
critical for install. Nut will feel
cross-threaded, but it is not.



To assemble this lock,
use cam from replacement
unit here

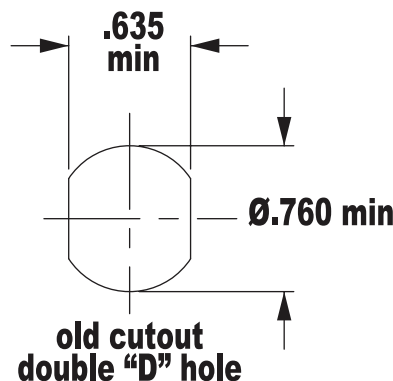
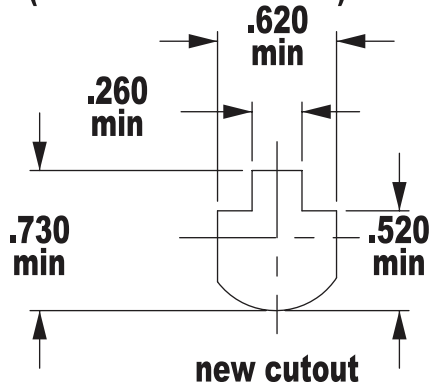


optional slot
for thicker doors

**Note: key may not remove
properly if cam is not attached.**

Cylinder mounting hole dimensions

(C9200 works in both)



**This lock meets USPS
specification #L-1172 and
drawing #1003833 for NDCBU
and CBU applications.**

**If needed, USPS approved
stainless steel cams are
available from your distributor.**

**Spacers and adhesive washer
to convert double "D" to new
cutout are available from your
distributor.**