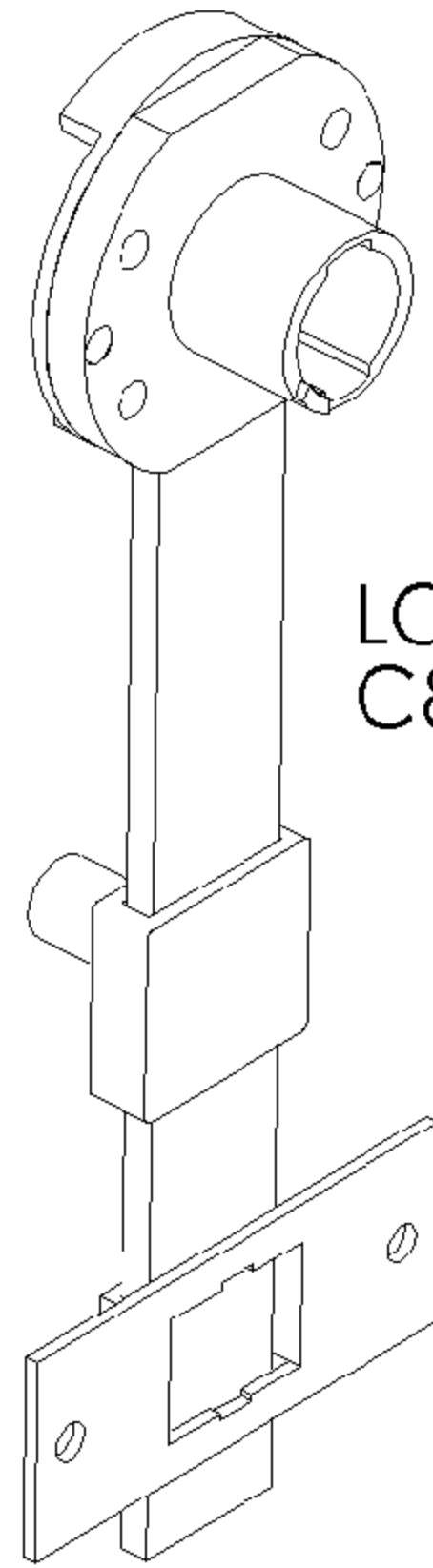


D8840 GANG LOCK



LOCK USES
C8850 CORE

MATERIAL THICKNESS 3/4"
WITH PLUG

