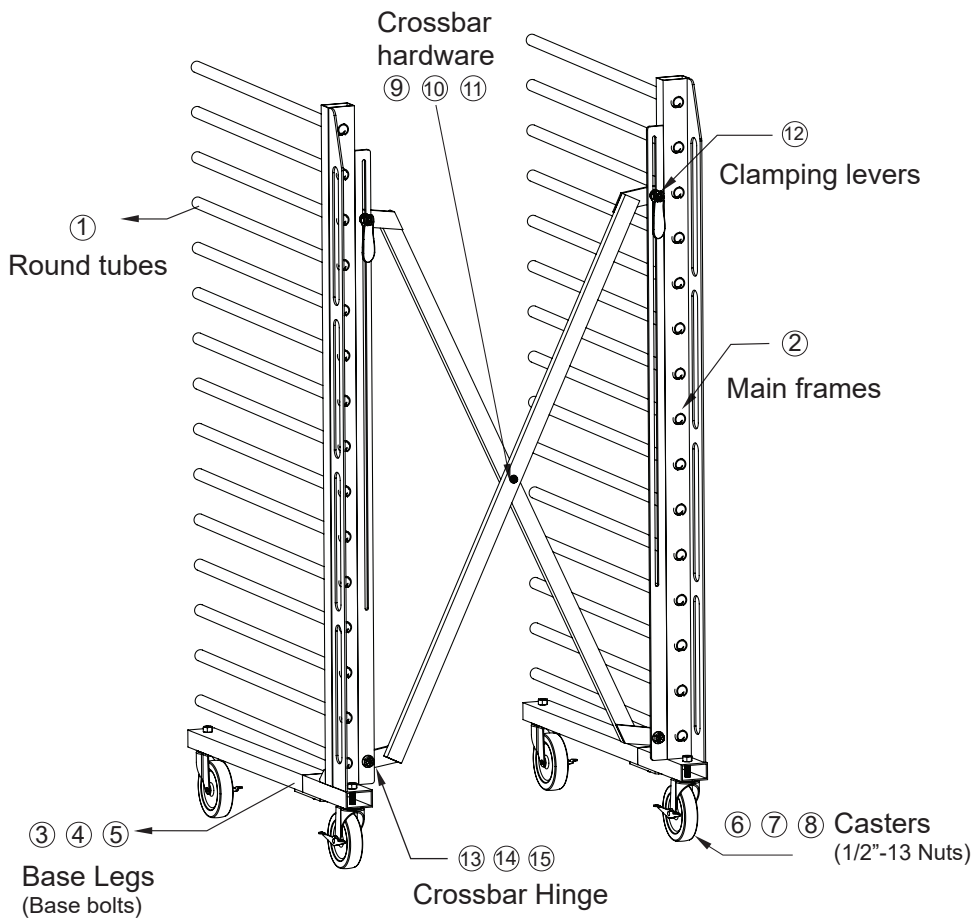
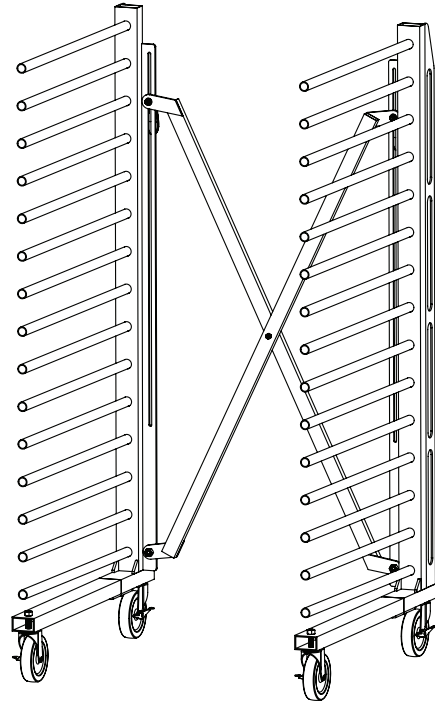


ASSEMBLY INSTRUCTIONS

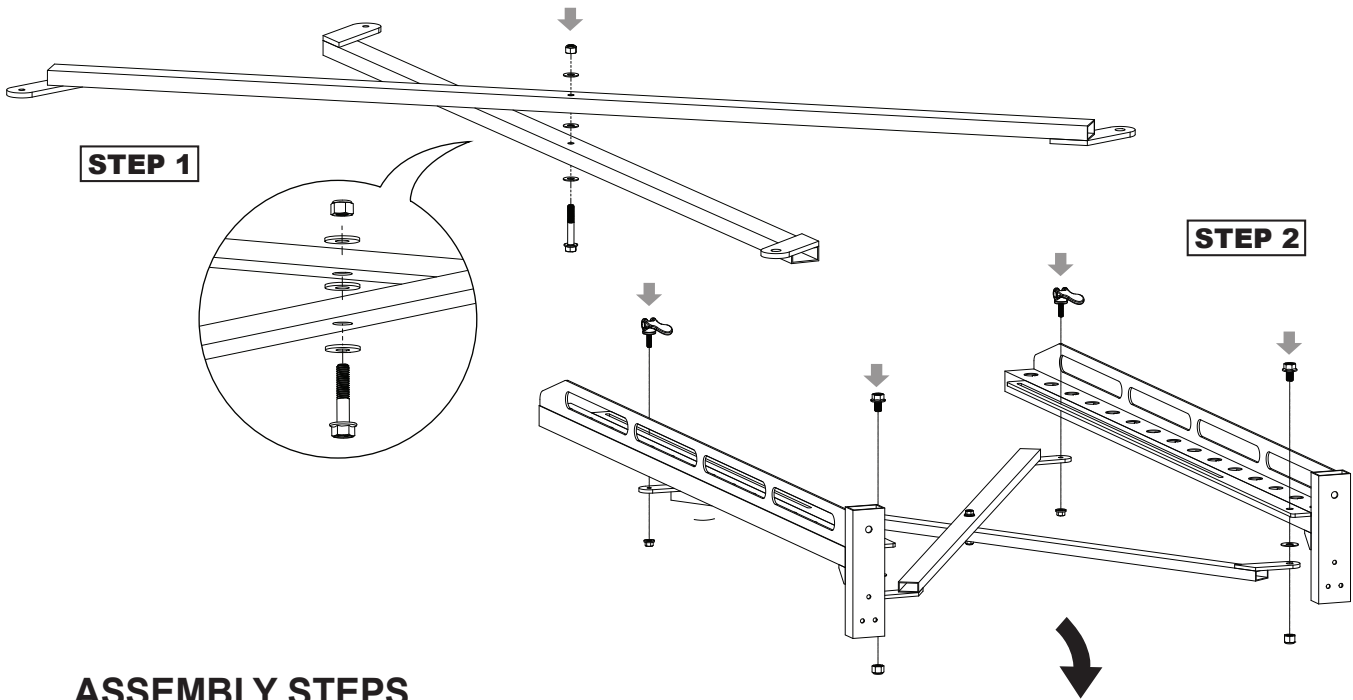
ProDryingRack™ Expandable Drying Rack PDREX

THE
PaintLine™.com



Hardware List

NO.	PART NAME	QTY
1	Round tubes	30
2	Main frames	2
3	Base Legs	2
4	3/8-16x3/4" FL.Hex	8
5	Support Plate	2
6	Casters	4
7	1/2"-13 Nuts	4
8	Lock Washer	4
9	3/8-16 x 2" FL.Hex	1
10	3/8-16 Lock Nuts	1
11	Nylon Washer	3
12	Clamping levers	2
13	3/8"-16x1" FL.Hex	2
14	3/8"-16 Lock Nuts	2



ASSEMBLY STEPS

1 Place one scissor crossbar on the ground (as shown in Step 1 figure) Attach the other crossbar in the center using nylon washers between the tubes and supplied bolt. Carefully use Step 1 figure above as your guide for proper alignment.

2 Attach the scissor crossbars, with clamping levers and 1/2-13 1" bolts, to the main vertical tubes as shown in Step 2 drawing.

3 Carefully turn the fixture over and install the base legs using 4 bolts each side through the 6mm support plate.

4 Attach casters using supplied 1/2-13 nuts and lockwashers.

5 Insert the white round tube shelves and rotate to lock.

