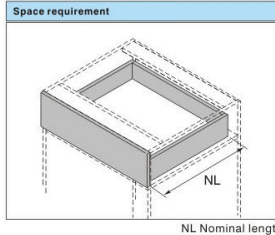


PRO 500

Full Extension Undermount Slides For Frame & Frameless Cabinets

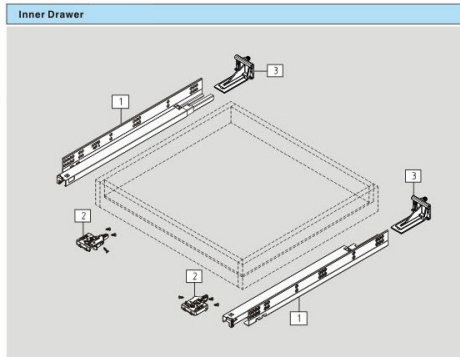
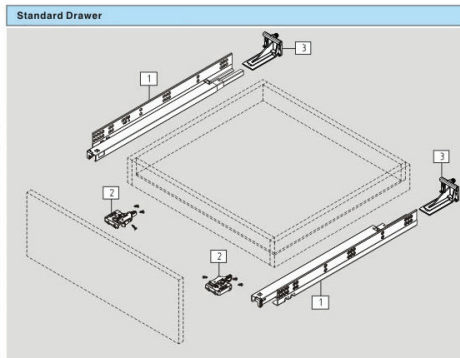


- Load capacity: 25kg
- Finish: zinc plated
- Length: 229-533mm
- Full extension
- Drawer height adjustment: 0 - +3mm
- Tool free assembly and removal of drawer
- Silent system guarantees smooth run without noise



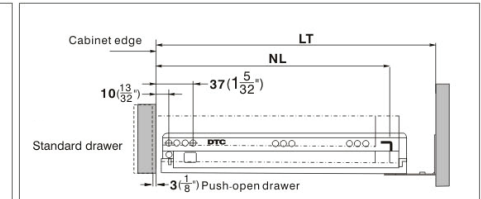
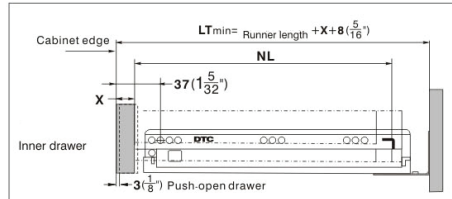
Drawer/Inner Drawer : Drawer Side Thickness Max 16mm

1	Slides left/right
Pre-zinc Steel (F02)	
NL	Soft close slide Item No.
229(9")	S20-229-H
305(12")	S20-305-H
381(15")	S20-381-H
457(18")	S20-457-H
533(21")	S20-533-H
2	Locking Device Left/Right
Grey (H11)	
Left: OSL01 Right: OSL02	
Item No.	OSLD01
4	Plastic Rear Mounting Bracket for Frame Cabinets
Grey (H11)	
229(9") Only for drawer length 229(9")	
Item No.	GHJ06
4	Plastic Rear Mounting Bracket for Frameless Cabinets
Grey (H11)	
305(12")-533(21") For drawer length 305(12")-533(21")	
Item No.	OGA03
4	Metal Rear Mounting Bracket for Frame Cabinets
Zinc Plated (B02)	
Item No.	GHJ02

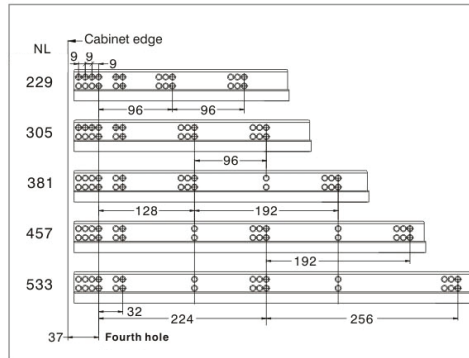


Installation Dimensions

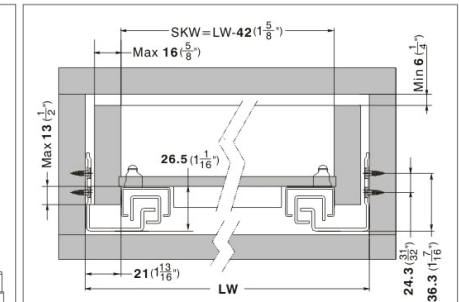
Nominal Slide Length = NL Internal cabinet Depth = LT



Screw Positions of the Slides



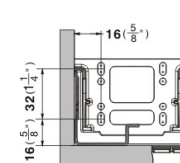
Installation Dimensions



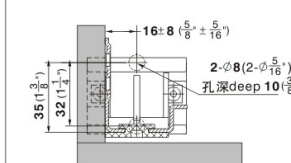
Drawer length	Runner length	Internal cabinet Depth	
		Max	Min
229(9")	256($10\frac{1}{4}$)	298($11\frac{3}{4}$)	283($11\frac{1}{8}$)
305(12")	317($12\frac{3}{8}$)	369($14\frac{3}{8}$)	326($12\frac{7}{8}$)
381(15")	394($15\frac{1}{2}$)	446($17\frac{3}{8}$)	403($15\frac{5}{8}$)
457(18")	470($18\frac{1}{2}$)	522($20\frac{3}{8}$)	479($18\frac{3}{8}$)
533(21")	546($21\frac{1}{2}$)	598($23\frac{3}{8}$)	555($21\text{-}7/8$)

Rear Mounting Bracket Preparation

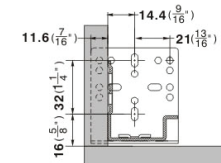
Plastic Rear Mounting Bracket For drawer length 229(9")



Plastic Rear Mounting Bracket For drawer length 305(12")-533(21")



Metal Rear Mounting Bracket



Drawer Back Preparation, Locking Device Installation

