

PRO600 Heavy Duty Full Extension Undermount Slides



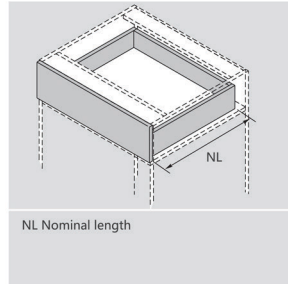
Product



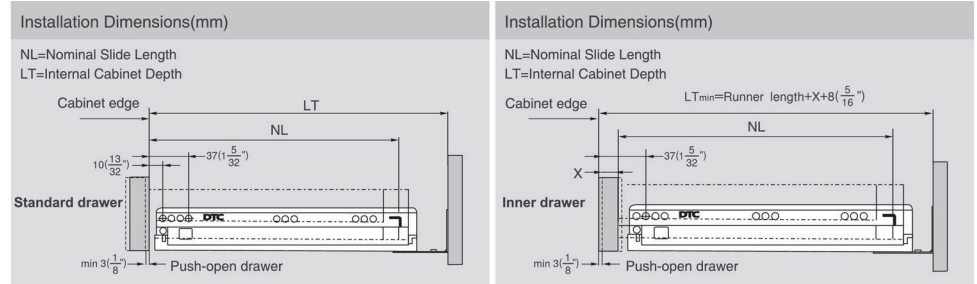
Description

- Load capacity: 60kg
- Finish: zinc plated
- Length: 457 - 762mm, full extension
- Silent system guarantees smooth run without noise
- 2D adj, up/down: 0-3mm, side +1.5mm
- 3D adj, up/down: 0-3mm, side +1.5mm depth: 0-3.5mm

Space Requirement



Planning



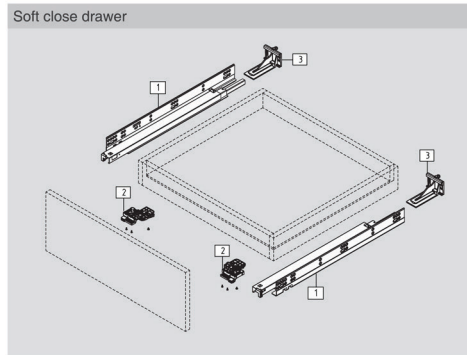
Soft-Close Drawer/ Push-Open Drawer

1

Slides (left/right)

*: Only for frameless cabinet
Pre-zinc Steel(F02)

NL	Soft Close slide Item No.	Push-open slide Item No.	Set/ctn
457(18")	TS21457H	TF21457H	10
533(21")	TS21533H	TF21533H	10
*610(24")	TS21610H	TF21610H	10
*686(27")	TS21686H	TF21686H	10
*762(30")	TS21762H	TF21762H	10



2D Locking Device (left/right) Grey(H11)

Item No. 0TSSD01-A

2D Locking Device (with Flange) (left/right) Grey(H11)

Item No. 0TSSD03-A

3D Locking Device (left/right) Grey(H11)

Item No. 0TSSD02-A

3D Locking Device (with Flange) (left/right) Grey(H11)

Item No. 0TSSD04-A

3

Plastic Rear Mounting Bracket for Frame Cabinets Grey(H11)

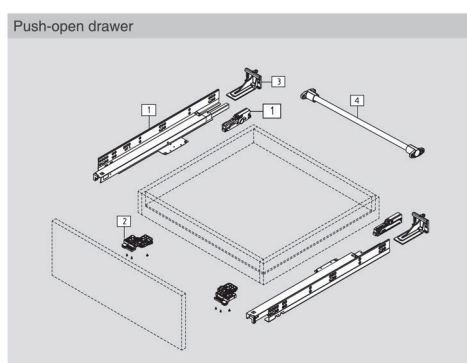
Only for drawer length 457(18"),533(21")

Item No. 0GA03

Metal Rear Mounting Bracket for Frame Cabinets Zinc Plated(B02)

Only for drawer length 457(18"),533(21")

Item No. SHJ01



4

Rod for Push-open Synchronization (For cutting to size,1100mm. Cutting:Internal cabinet width LW-172)

Silver Grey(E18)

Item No. HTOFH02

Screw Positions of the Slides(mm)

Drawer length	Runner length	Internal Cabinet Depth
457(18")	470(18 1/2")	522(20 9/16")
533(21")	546(21 1/2")	598(23 9/16")
610(24")	465(18 3/10")	555(21 7/8")
686(27")	505(19 9/10")	
762(30")	595(23 2/5")	

Installation Dimensions(mm)

LW=Internal Cabinet Width

Drawer length	Runner length	Internal Cabinet Depth
457(18")	470(18 1/2")	522(20 9/16")
533(21")	546(21 1/2")	598(23 9/16")
610(24")	465(18 3/10")	555(21 7/8")
686(27")	505(19 9/10")	
762(30")	595(23 2/5")	

