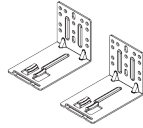
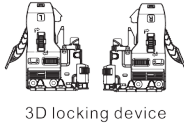
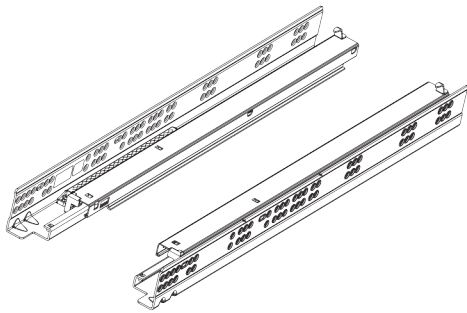
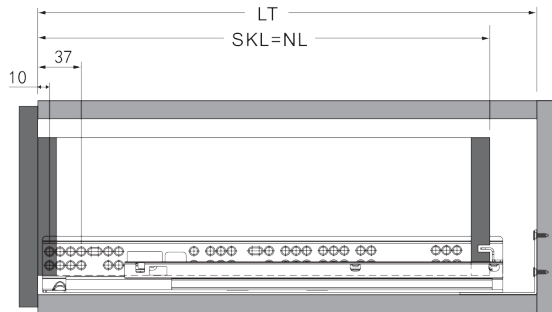


Soft-closing Concealed Full Extension Slide for US Cabinet (16mm board thickness with 3D locking device)



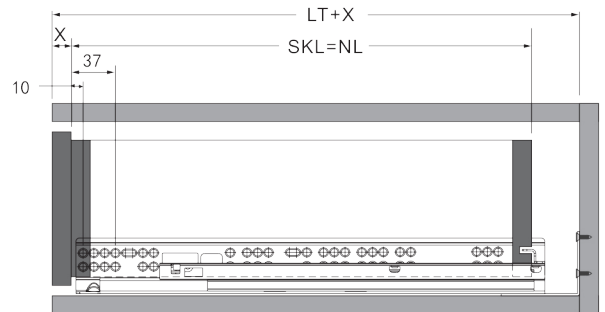
Standard drawer

LT: Inside Cabinet Depth



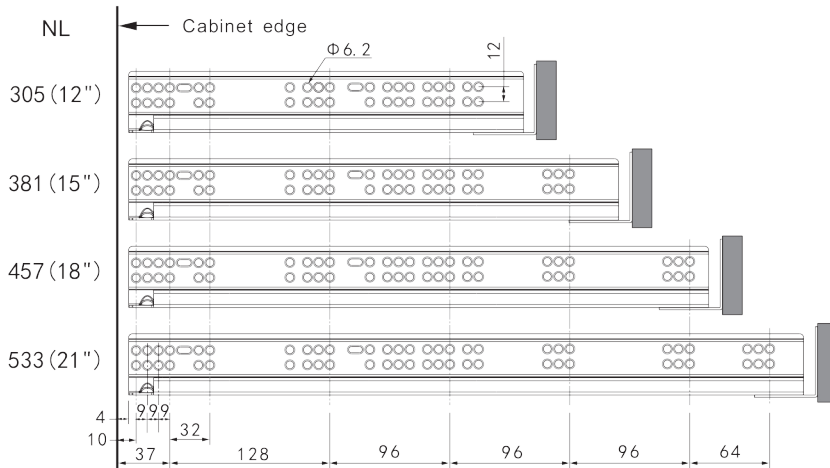
Inner drawer

SKL: Drawer Length



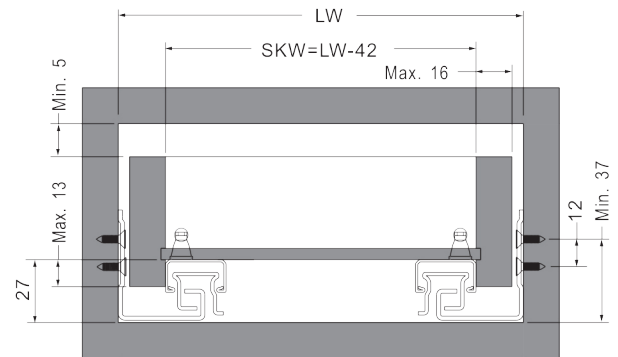
Screw position

NL: Nominal Slide Length



Space requirement in cabinet

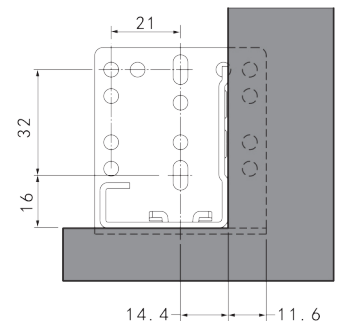
LW: Internal Cabinet Width
SKW: Internal Drawer Width



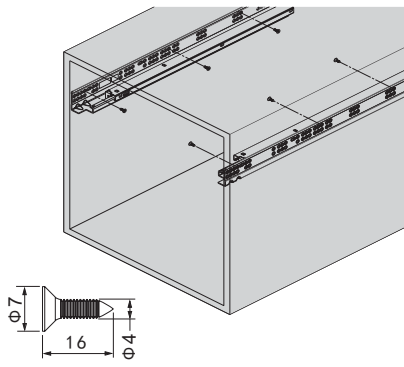
Product information

| Item No. | Drawer Length (SKL) | Pull-out Length (mm) | Inside Cabinet Depth (LT) (mm) | |
|------------|---------------------|----------------------|--------------------------------|---------------|
| | | | Min | Max |
| PROUMECO12 | 305 (12") | 295 | 329 / (329+X) | 374 / (374+X) |
| PROUMECO15 | 381 (15") | 371 | 405 / (405+X) | 450 / (450+X) |
| PROUMECO18 | 457 (18") | 447 | 481 / (481+X) | 526 / (526+X) |
| PROUMECO21 | 533 (21") | 523 | 557 / (557+X) | 602 / (602+X) |

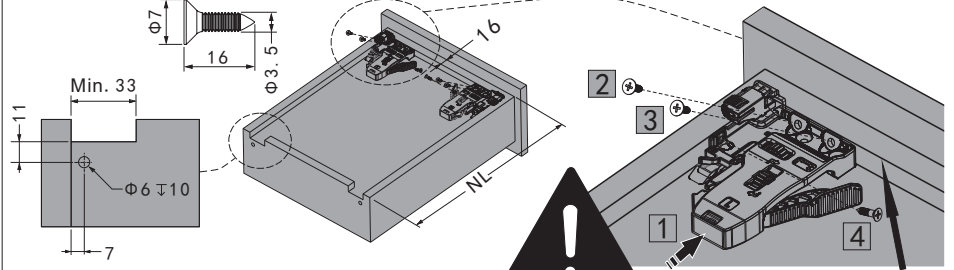
Rear mounting bracket



Slide installation



Drawer back preparation & 3D Locking device installation

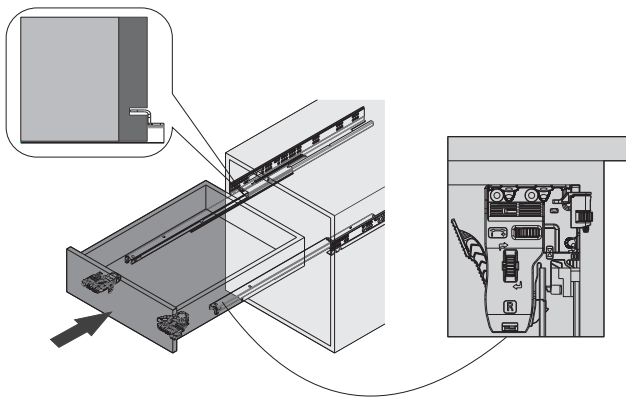


1. Push the locking device and install it closely to Side B and drawer Bottom
2. Keep the locking device closely installed, mount the #2 screw
3. Keep the locking device closely installed, mount the #3 screw
4. Mount the #4 screw if necessary

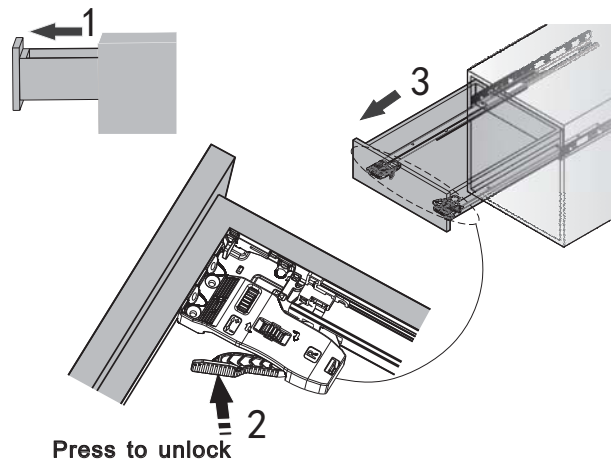
Note: The mounting screws must go in at smallest angle as could as possible so that the locking device fits flush to the drawer bottom.

Step: 1 → 2 → 3 → 4

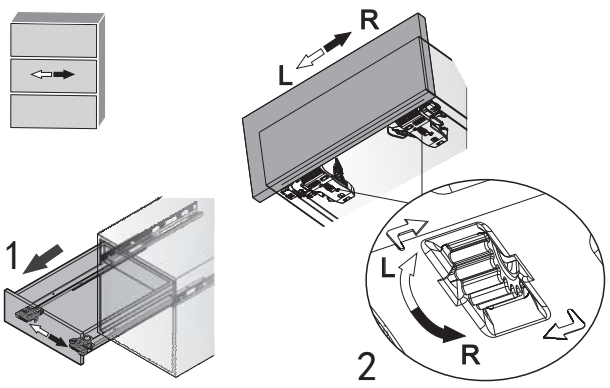
Drawer installation



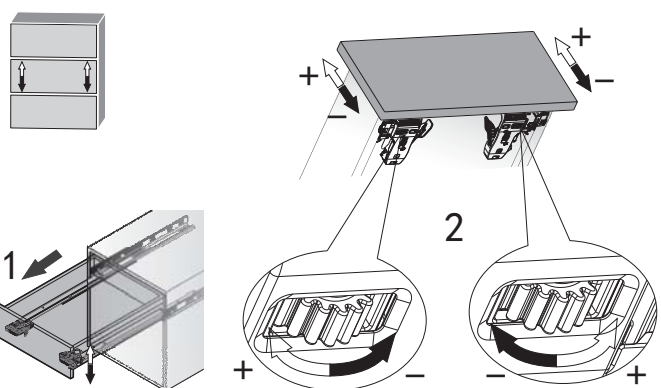
Removal of the drawer



Side adjustment



Height adjustment



Depth adjustment

