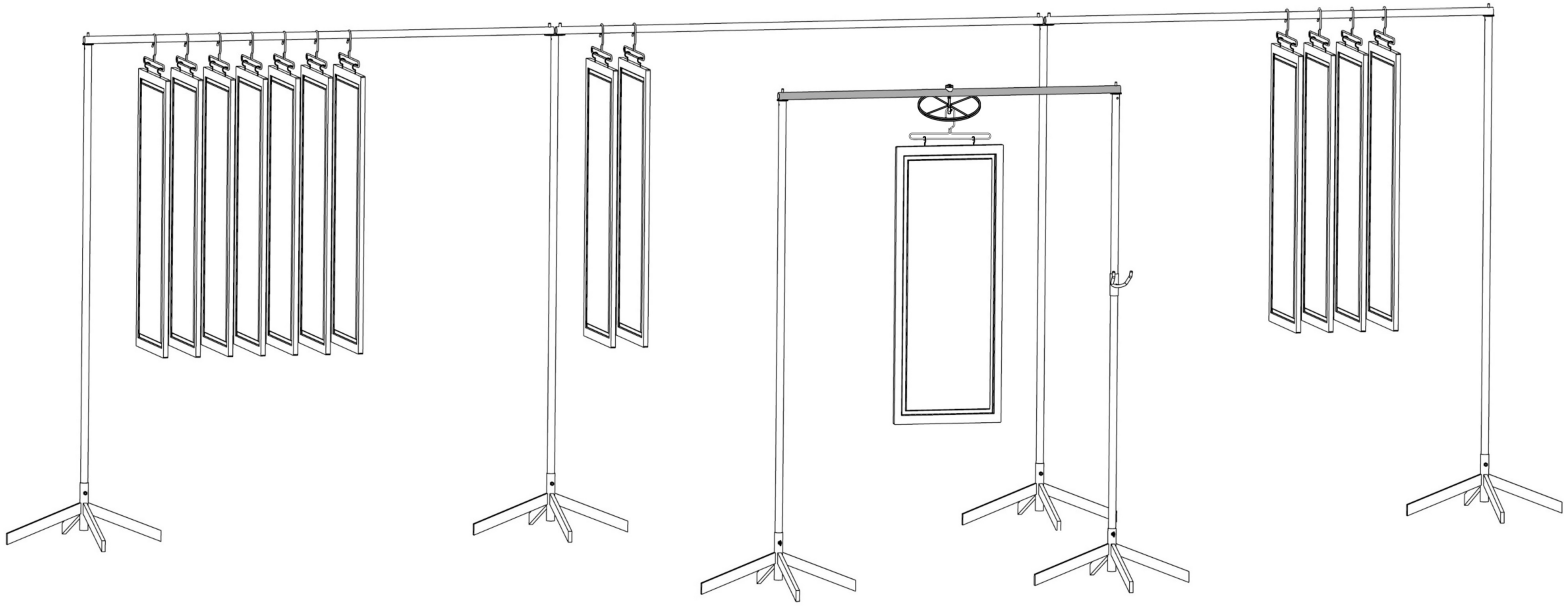


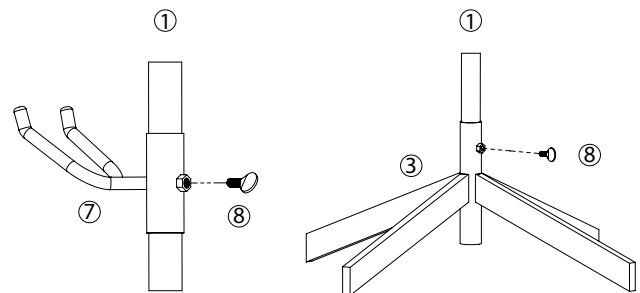
# PSDR Series

## ASSEMBLY INSTRUCTIONS

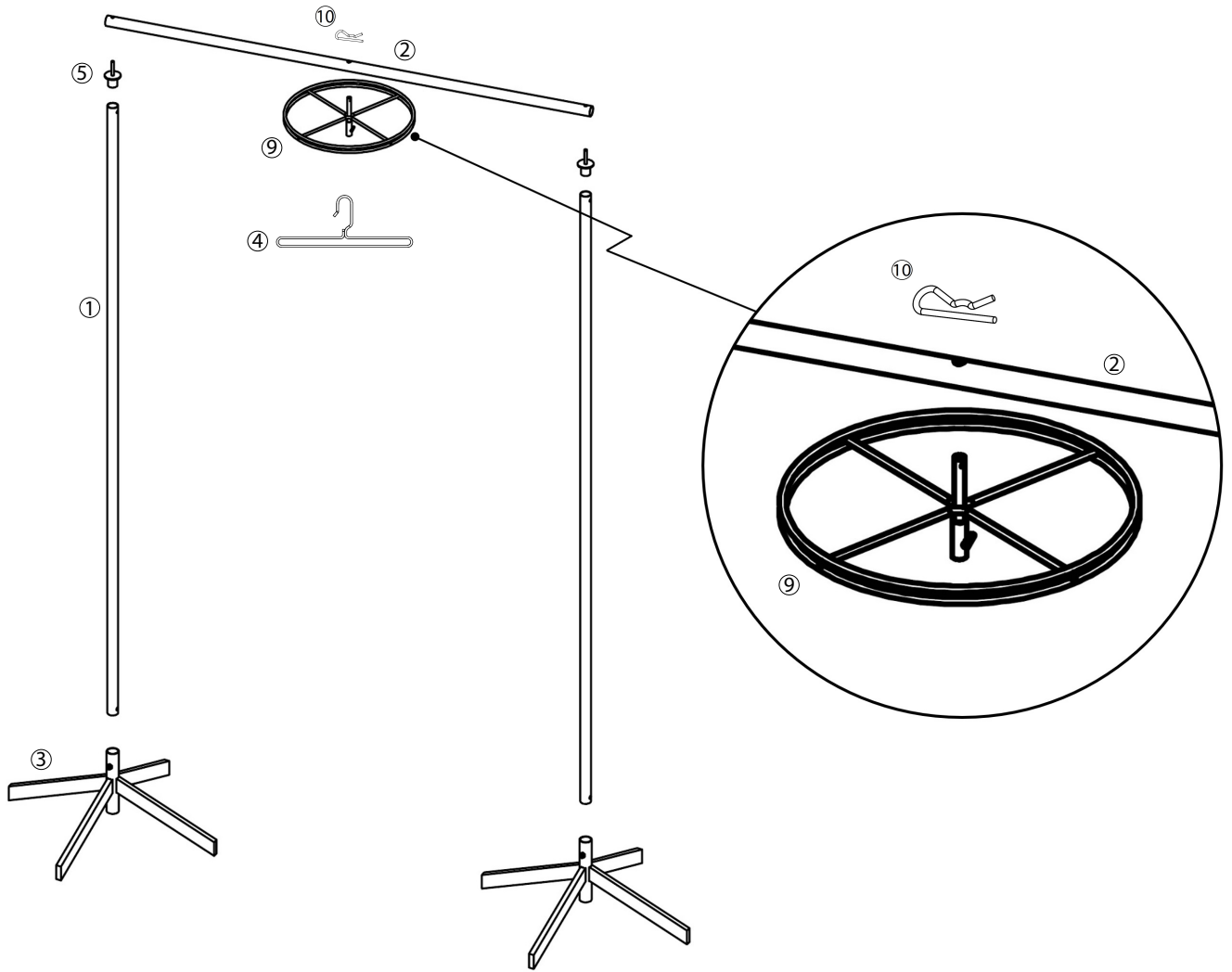


| Item # | Part          | Qty |  |
|--------|---------------|-----|--|
| ①      | Poles         | 9   |  |
| ②      | Spray Tubing  | 1   |  |
| ③      | Bases         | 6   |  |
| ④      | Hangers       | 50  |  |
| ⑤      | Single Joints | 4   |  |
| ⑥      | Double Joints | 2   |  |
| ⑦      | Spray Holder  | 1   |  |
| ⑧      | Thumb Screws  | 7   |  |

| Item # | Part      | Qty |  |
|--------|-----------|-----|--|
| ⑨      | Spinner   | 1   |  |
| ⑩      | Hitch Pin | 1   |  |



### Spray Stand



### Drying Stands

