

(3) HOLDERS SNAP TO WIRES TO KEEP FOIL BOXES FROM TIPPING OVER

CUSTOMER DRAWING

**UNCONTROLLED IF PRINTED**



**PROPRIETARY AND CONFIDENTIAL**  
 This drawing is the property of Rev-A-Shelf LLC (RAS) and is disclosed in confidence to the extent its subject matter is original to RAS. Any vendor receiving this drawing from RAS shall hold and use this drawing for the sole benefit of RAS and shall not disclose it to, or use or reproduce it for any third party, or perform any act adverse to the interest of RAS with respect to this drawing without the express written permission of RAS. Vendors shall not revise any physical, dimensional or performance characteristic unless authorized by Rev-A-Shelf Engineering.

| REV | DATE | BY | DESCRIPTION OF CHANGE |
|-----|------|----|-----------------------|
|     |      |    |                       |
|     |      |    |                       |
|     |      |    |                       |

|                              |        |          |  |
|------------------------------|--------|----------|--|
| UNLESS OTHERWISE SPECIFIED:  |        |          |  |
| TOLERANCES = INCH/(MM)       |        |          |  |
| MAT. DEC.                    |        |          |  |
| (WOOD) .XX +/--.03 [.8mm]    |        |          |  |
| (OTHER) .XX +/--.02 [.5mm]   |        |          |  |
| (ALL) .XXX +/--.005 [.13 mm] |        |          |  |
| FRACTIONS +/-1/32 [.8 mm]    |        |          |  |
| ANGLES +/-1/2°               |        |          |  |
| Third Angle Projection       |        |          |  |
| MATERIAL                     | FINISH |          |  |
| DO NOT SCALE DRAWING         | NAME   | DATE     |  |
| DRAWN                        | KRR    | 12-23-24 |  |

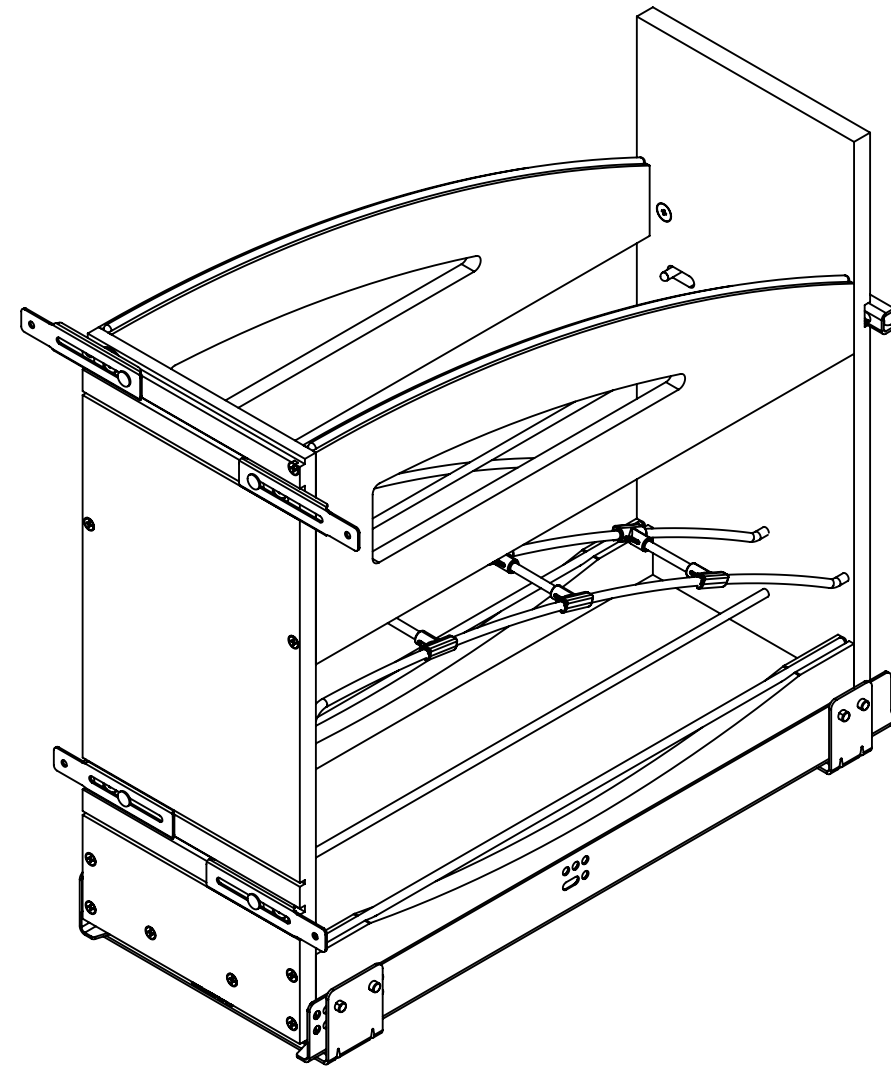
|              |            |                              |              |
|--------------|------------|------------------------------|--------------|
| Description: |            | 8" FOIL/TRAY HOLDER PULL OUT |              |
| PART NO.     |            | 447CC-BCSC-8MB               |              |
| SIZE         | DWG. NO.   | 447CC-BCSC-8MB_CUST          |              |
| <b>B</b>     | SCALE: 1:5 | WEIGHT:                      | SHEET 1 OF 2 |

4

3

2

1



| PART DIMENSIONS |             |
|-----------------|-------------|
| WIDTH           | 8.94 [227]  |
| DEPTH           | 21.66 [550] |
| HEIGHT          | 19.62 [498] |

| MIN CABINET OPENING |             |             |                  |                 |
|---------------------|-------------|-------------|------------------|-----------------|
|                     | FACE FRAME  | FRAMELESS   | INSET FACE FRAME | INSET FRAMELESS |
| WIDTH               | 8.50 [216]  | 9.00 [229]  | 8.50 [216]       | 9.00 [229]      |
| DEPTH               | 21.78 [553] | 21.78 [553] | 22.53 [572]      | 22.53 [572]     |
| HEIGHT              | 19.88 [505] | 19.88 [505] | 19.88 [505]      | 19.88 [505]     |

| SLIDE SPECIFICATIONS |            |                  |             |                   |
|----------------------|------------|------------------|-------------|-------------------|
| SLIDE MANUFACTURER   | BLUM       |                  |             |                   |
| SLIDE PART NO.       | 763H5330S  | RELEASE PART NO. | T51-7601    |                   |
| SLIDE TYPE           | UNDERMOUNT | SLIDE EXTENSION  | FULL        | MAX WEIGHT RATING |
| SLIDE CLOSING        | SOFT       | SLIDE LENGTH     | 21.66 [550] |                   |
| SLIDE MOUNTING       | BOTTOM     | SLIDE FINISH     | ZINC        | 125 LB            |

CUSTOMER DRAWING

UNCONTROLLED IF PRINTED



**PROPRIETARY AND CONFIDENTIAL**  
 This drawing is the property of Rev-A-Shelf LLC (RAS) and is disclosed in confidence to the extent its subject matter is original to RAS. Any vendor receiving this drawing from RAS shall hold and use this drawing for the sole benefit of RAS and shall not disclose it to, or use or reproduce it for any third party, or perform any act adverse to the interest of RAS with respect to this drawing without the express written permission of RAS. Vendors shall not revise any physical, dimensional or performance characteristic unless authorized by Rev-A-Shelf Engineering.

| REV | DATE | BY | DESCRIPTION OF CHANGE |
|-----|------|----|-----------------------|
|     |      |    |                       |
|     |      |    |                       |
|     |      |    |                       |
|     |      |    |                       |

|   |        |                              |                     |
|---|--------|------------------------------|---------------------|
| UNLESS OTHERWISE SPECIFIED:   |        | Description:                 |                     |
| TOLERANCES = INCH/(MM)<br>MAT. DEC.<br>(WOOD) .XX +/- .03 [.8mm]<br>(OTHER) .XX +/- .02 [.5mm]<br>(ALL) .XXX +/- .005 [.13 mm]<br>FRACTIONS +/- 1/32 [.8 mm]<br>ANGLES +/- 1/2° |        | 8" FOIL/TRAY HOLDER PULL OUT |                     |
| First Angle Projection  |        | PART NO. 447CC-BCSC-8MB      |                     |
| MATERIAL  | FINISH | SIZE                         | DWG. NO.            |
| DO NOT SCALE DRAWING  | NAME   | <b>B</b>                     | 447CC-BCSC-8MB_CUST |
| DRAWN   | KRR    | DATE                         | 12-23-24            |
| SCALE: 1:5  |        | WEIGHT:                      | SHEET 2 OF 2        |

4

3

2

1

B

B

A

A