

TOOLS REQUIRED:



ESTIMATED ASSEMBLY TIME:

30-45 MIN

CARE AND MAINTENANCE:

CLEAN WITH A DAMP CLOTH AND WIPE PARTS DRY

PARTS LIST:

WOOD FRAME W/ ATTACHED SLIDE
DOOR MOUNT BRACKETS
SHELVES

DETERMINING YOUR INSTALLATION

If you plan to secure your 448 organizer using the provided bolts, please proceed to the "Installation with bolts" section. If you plan to secure using wood screws (See Fig 1.1), proceed to the "Installation with wood screws" section.

INSTALLATION WITH WOOD SCREWS

STEP 1

Turn your 448 upside down. Pull your SC slide set into the open position and locate the triggers on the left and right side (See Fig 1.2). Press and hold the triggers either up or down while also removing the slide set. Set your wood frame to the side for now. After you remove the slides, your soft-close mechanism will be in the open position. Flick the trigger and reset it to the closed position.

STEP 2

Place Template inside of your wall cabinet. Orientate the template so the front edge is positioned to the back of your cabinet door (See Fig 2).

STEP 4

Using your awl and rubber mallet, punch your hole locations identified by the smaller black circles (See Fig 2).

STEP 5

Secure slide set to cabinet floor using the 4 wood screws provided.

STEP 6

Re-attach the wood frame to your slides. Be sure your ball bearing race tracks have been placed at the front of your slide channels. Align the wood frame & push to the closed position. Proceed to the door mounting section at this time.

INSTALLATION WITH BOLTS

STEP 1

Place Template inside of your wall cabinet. Orientate the template so the front edge is positioned to the back of your cabinet door (See Fig 2).

STEP 2

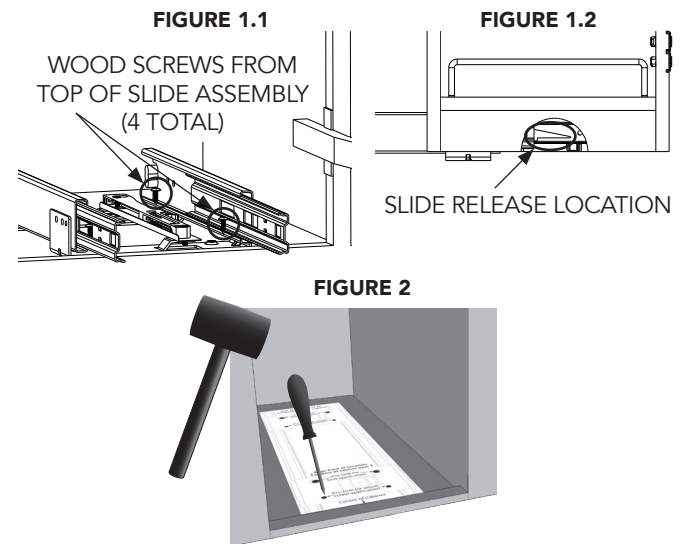
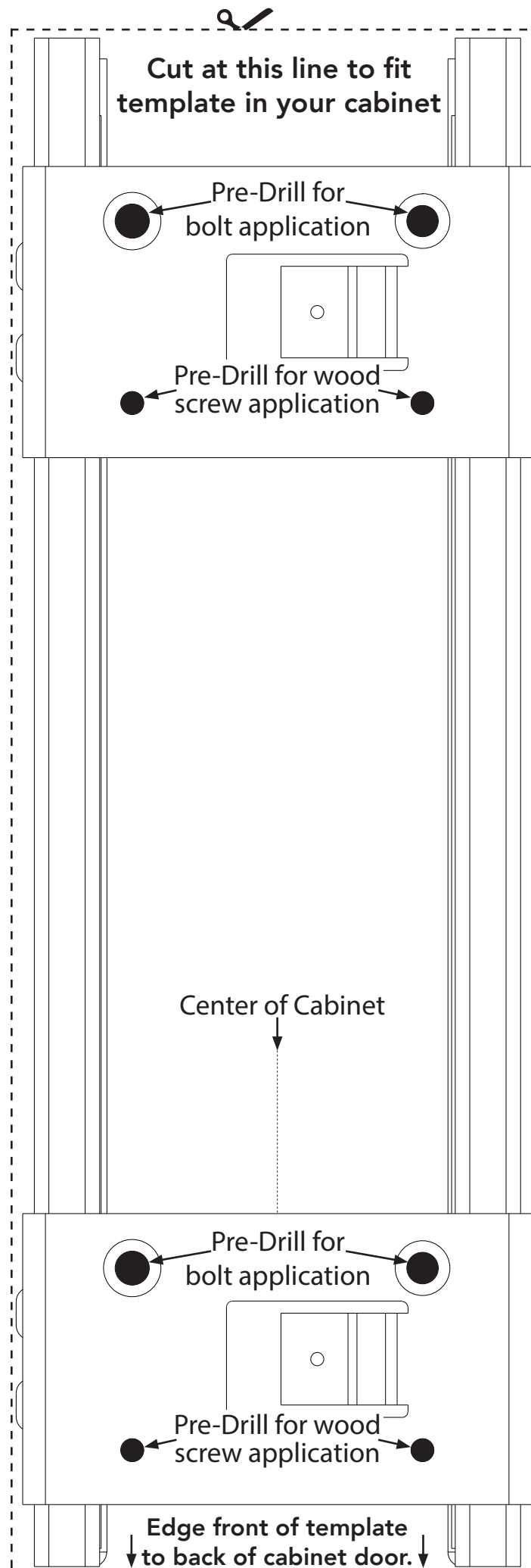
Using your 3/8" drill bit, drill through the 4 marked hole locations labeled "Pre-drill here for bolt application." You will drill through your cabinet floor.

STEP 3

Place your 448 unit over the top of your holes and secure using the 4 machine bolts. Make sure the bolts go through the holes from the underside of the cabinet up into the cabinet floor, and secure with a 1/4" nut driver or wrench. The corresponding holes on the slide set are threaded for attachment.

STEP 4

Proceed to the door mounting section.



DOOR MOUNTING INSTRUCTIONS

SEE BELOW FOR ILLUSTRATIONS

Measure from the base of the face frame up to each mounting bracket slotted hole location and record those dimensions.

Measure the entire door opening and record that value. Measure the height of your cabinet door and record that value.

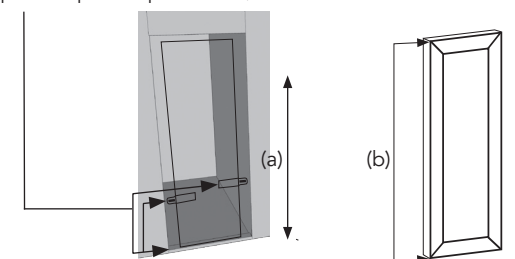
Transfer these dimensions to your door from the bottom and mark the hole locations.

Pre-drill these holes on the back side of your cabinet door, keeping sure not to drill through the door.



1. Measure from frame to left bracket slot _____

Measure from frame to right bracket slot _____
(repeat step for top brackets)



2. Measure Opening Height (a) _____ | Height Difference _____

Measure Door Height (b) _____ | Divide Difference by 2 _____

3. If your door is larger than cabinet opening, **add** the divided difference you found in step 2 to the measurements in step 1. If your door is smaller, **subtract** the divided difference from the measurements in step 1.

Top bracket Measurements

Right _____ Left _____

Bottom bracket Measurements

Right _____ Left _____

Mark screw locations on your door and pre-drill. Be careful not to drill through the cabinet door.

TOOLS REQUIRED:



ESTIMATED ASSEMBLY TIME:

30-45 MIN

CARE AND MAINTENANCE:

CLEAN WITH A DAMP CLOTH AND WIPE PARTS DRY

PARTS LIST:

WOOD FRAME W/ ATTACHED SLIDE
DOOR MOUNT BRACKETS
SHELVES

DETERMINING YOUR INSTALLATION

If you plan to secure your 448 organizer using the provided bolts, please proceed to the "Installation with bolts" section. If you plan to secure using wood screws (See Fig 1.1), proceed to the "Installation with wood screws" section.

INSTALLATION WITH WOOD SCREWS

STEP 1

Turn your 448 upside down. Pull your SC slide set into the open position and locate the triggers on the left and right side (See Fig 1.2). Press and hold the triggers either up or down while also removing the slide set. Set your wood frame to the side for now. After you remove the slides, your soft-close mechanism will be in the open position. Flick the trigger and reset it to the closed position.

STEP 2

Place Template inside of your wall cabinet. Orientate the template so the front edge is positioned to the back of your cabinet door (See Fig 2).

STEP 4

Using your awl and rubber mallet, punch your hole locations identified by the smaller black circles (See Fig 2).

STEP 5

Secure slide set to cabinet floor using the 4 wood screws provided.

STEP 6

Re-attach the wood frame to your slides. Be sure your ball bearing race tracks have been placed at the front of your slide channels. Align the wood frame & push to the closed position. Proceed to the door mounting section at this time.

INSTALLATION WITH BOLTS

STEP 1

Place Template inside of your wall cabinet. Orientate the template so the front edge is positioned to the back of your cabinet door (See Fig 2).

STEP 2

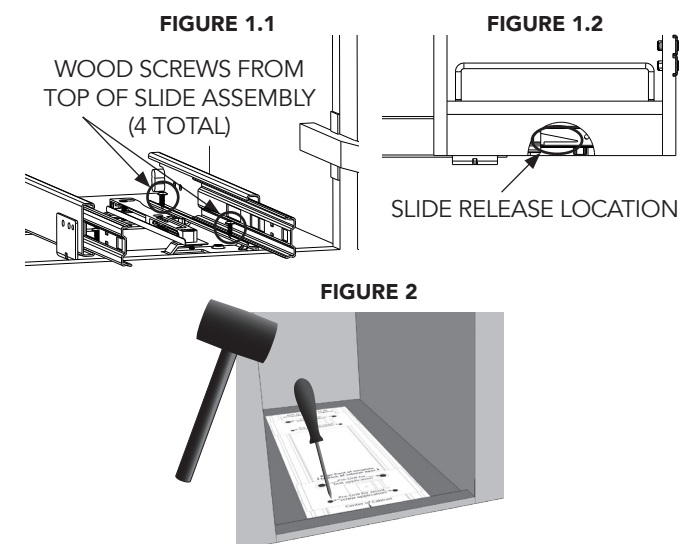
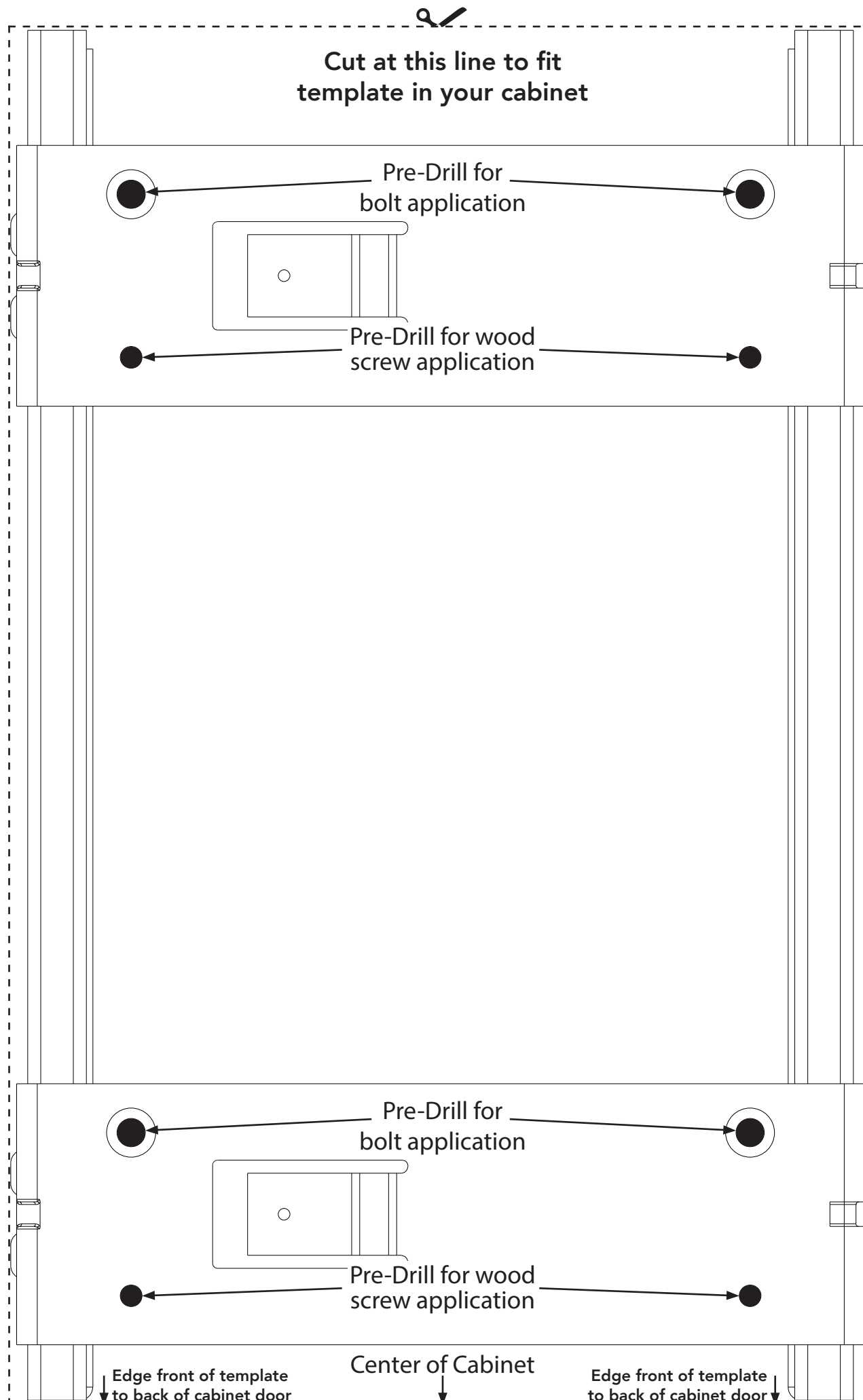
Using your 3/8" drill bit, drill through the 4 marked hole locations labeled "Pre-drill here for bolt application." You will drill through your cabinet floor.

STEP 3

Place your 448 unit over the top of your holes and secure using the 4 machine bolts. Make sure the bolts go through the holes from the underside of the cabinet up into the cabinet floor, and secure with a 1/4" nut driver or wrench. The corresponding holes on the slide set are threaded for attachment.

STEP 4

Proceed to the door mounting section.



DOOR MOUNTING INSTRUCTIONS

SEE BELOW FOR ILLUSTRATIONS

Measure from the base of the face frame up to each mounting bracket slotted hole location and record those dimensions.

Measure the entire door opening and record that value. Measure the height of your cabinet door and record that value.

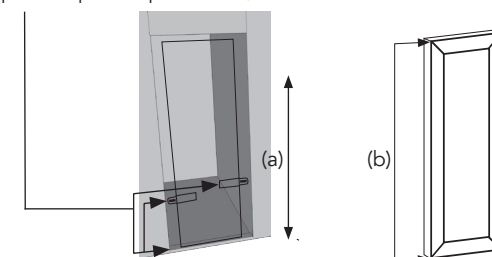
Transfer these dimensions to your door from the bottom and mark the hole locations.

Pre-drill these holes on the back side of your cabinet door, keeping sure not to drill through the door.



1. Measure from frame to left bracket slot _____

Measure from frame to right bracket slot _____
(repeat step for top brackets)



2. Measure Opening Height (a) _____ Height Difference _____

Measure Door Height (b) _____ Divide Difference by 2 _____

3. If your door is larger than cabinet opening, **add** the divided difference you found in step 2 to the measurements in step 1. If your door is smaller, **subtract** the divided difference from the measurements in step 1.

Top bracket Measurements

Right _____ Left _____

Bottom bracket Measurements

Right _____ Left _____

Mark screw locations on your door and pre-drill. Be careful not to drill through the cabinet door.

