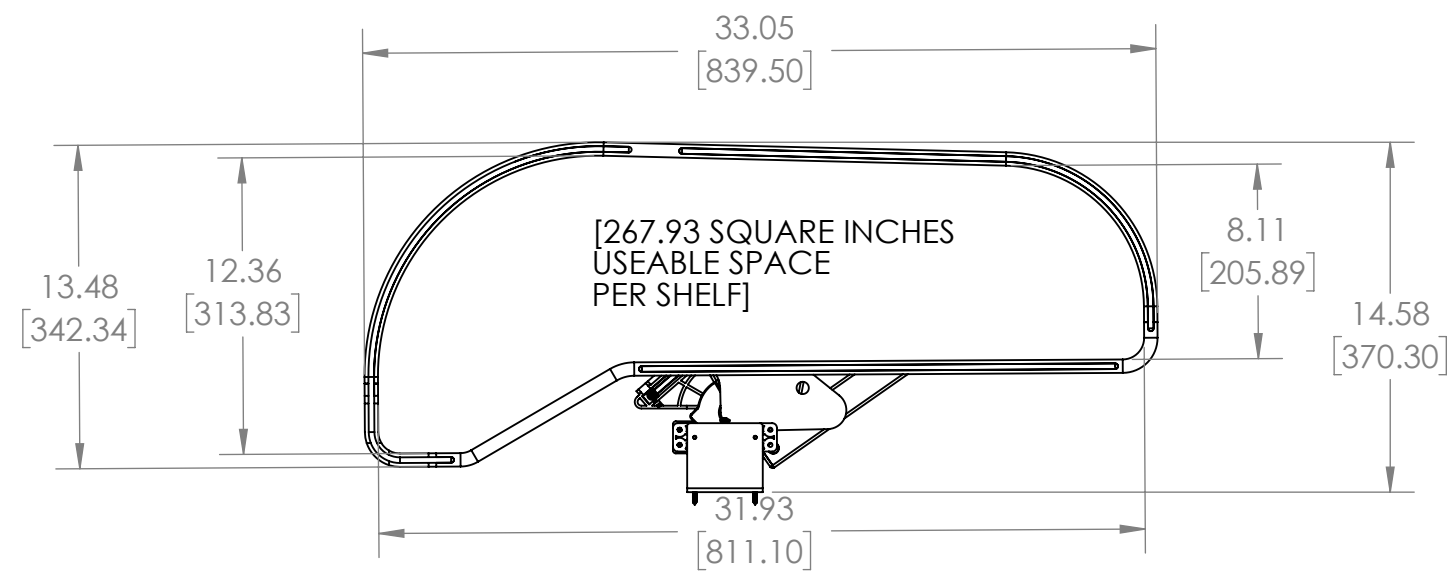


4

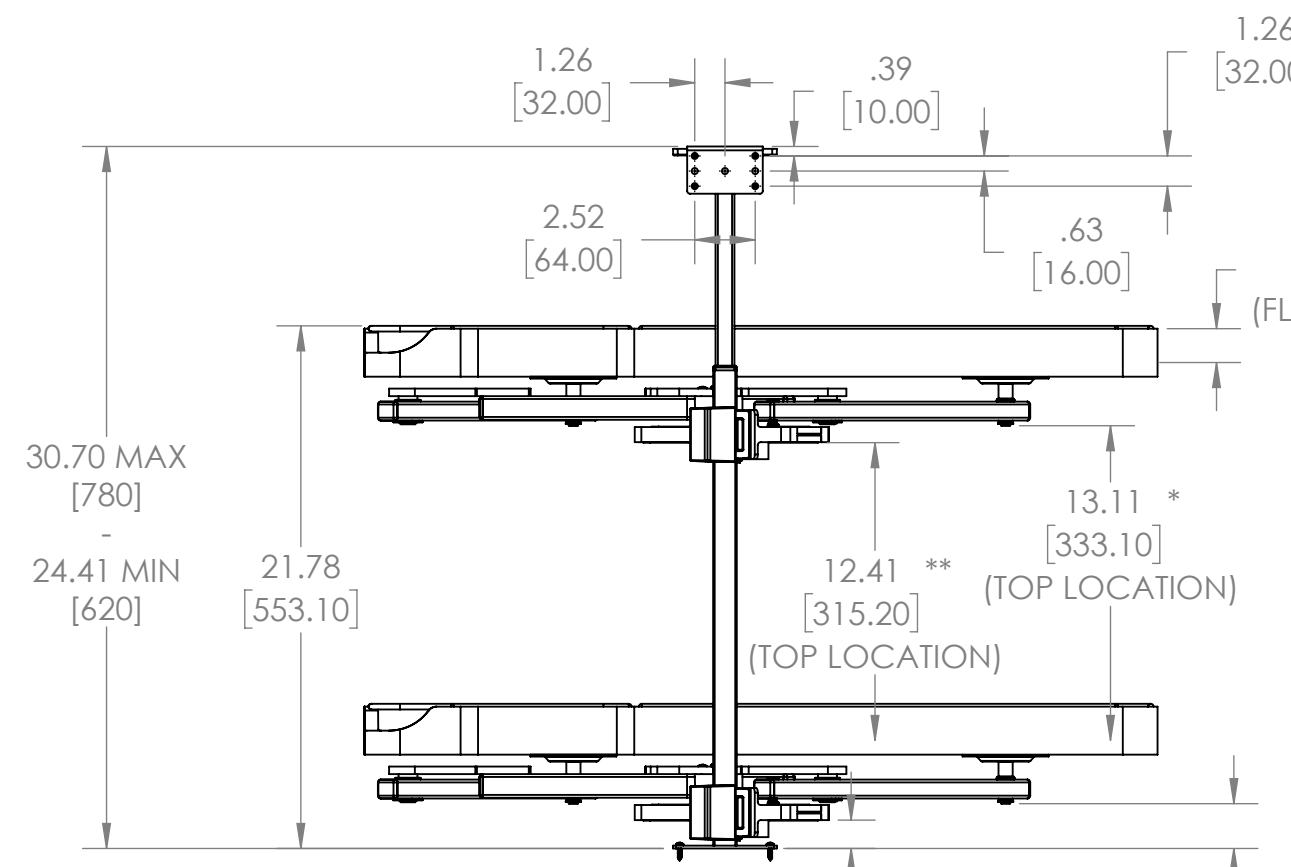
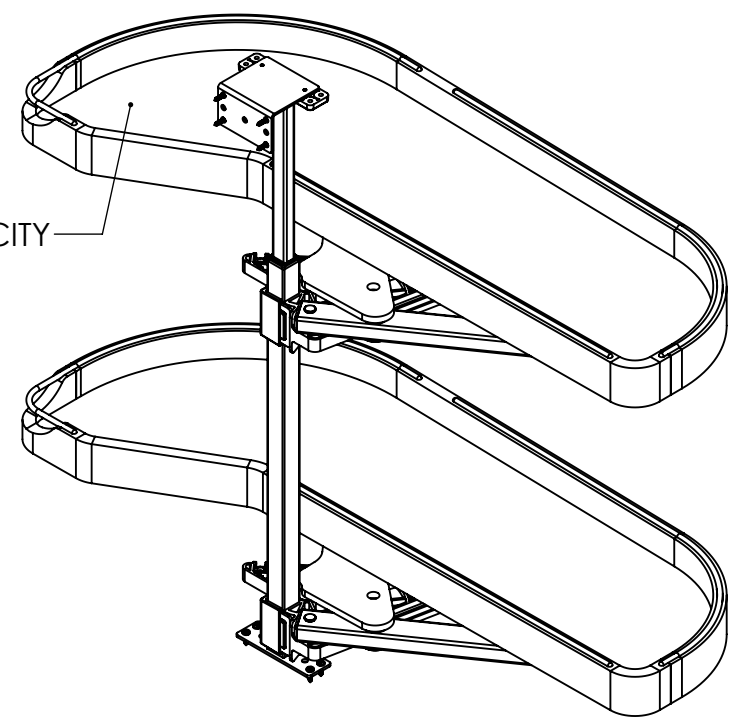
3

2

1



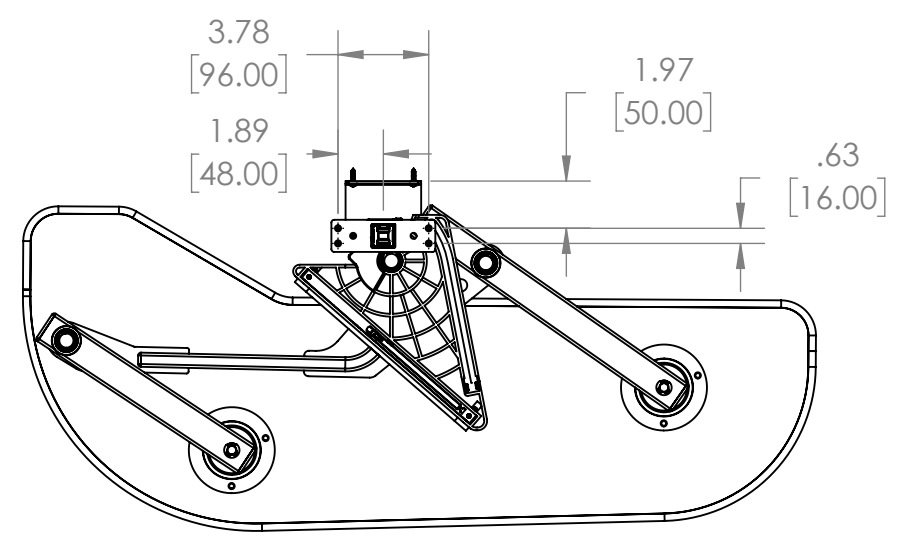
33 POUNDS (PER SHELF) CAPACITY



NOTE: SHELF ADJUSTMENT SPACING IS 1.26 [32]

(LOWER LOCATIONS)

*	**
11.85 [301.1]	11.15 [283.2]
10.59 [269.1]	9.89 [251.2]
9.33 [237.1]	8.63 [219.2]
8.07 [205.1]	7.37 [187.2]
6.81 [173.1]	6.11 [155.2]
5.55 [141.1]	4.85 [123.2]



BOTTOM VIEW

CUSTOMER DRAWING

UNCONTROLLED IF PRINTED



**PROPRIETARY AND CONFIDENTIAL**  
 This drawing is the property of Rev-A-Shelf LLC (RAS) and is disclosed in confidence to the extent its subject matter is original to RAS. Any vendor receiving this drawing from RAS shall hold and use this drawing for the sole benefit of RAS and shall not disclose it to, or use or reproduce it for any third party, or perform any act adverse to the interest of RAS with respect to this drawing without the express written permission of RAS. Vendors shall not revise any physical, dimensional or performance characteristic unless authorized by Rev-A-Shelf Engineering.

REV	DATE	BY	DESCRIPTION OF CHANGE

UNLESS OTHERWISE SPECIFIED:		
TOLERANCES = INCH/(MM)		
MAT. DEC.		
(WOOD) .XX +/--.03 [8mm]		
(OTHER) .XX +/--.02 [5mm]		
(ALL) .XXX +/--.005 [13 mm]		
FRACTIONS +/-1/32 [8 mm]		
ANGLES +/-1/2°		
Third Angle Projection		
MATERIAL	FINISH	
DO NOT SCALE DRAWING	NAME	DATE
DRAWN	KRR	12-18-24

Description:	
2-TIER CRAFTSMAN COLLECTION WOOD PULLOUT LEFT DOOR/BLIND RIGHT	
PART NO.	487CC-12-LMB
SIZE	DWG. NO.
<b>B</b>	487CC-12-LMB
SCALE: 1:8	WEIGHT:
SHEET 1 OF 3	

4

3

2

1

4

3

2

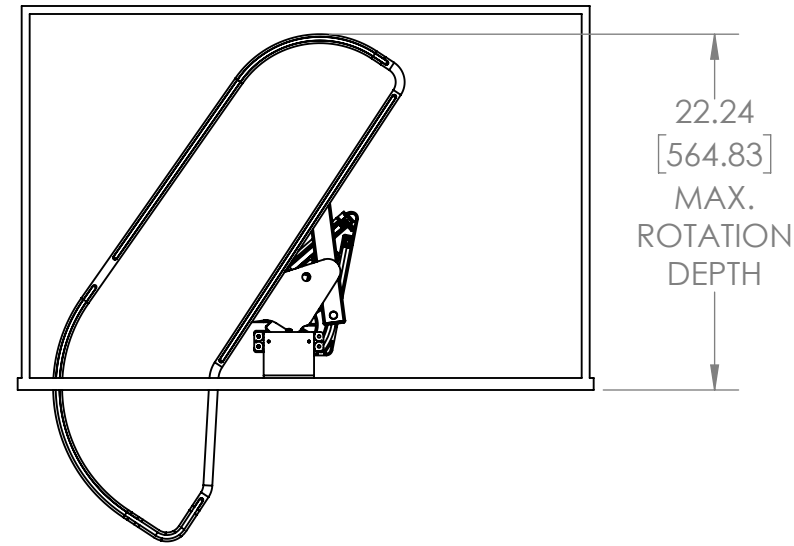
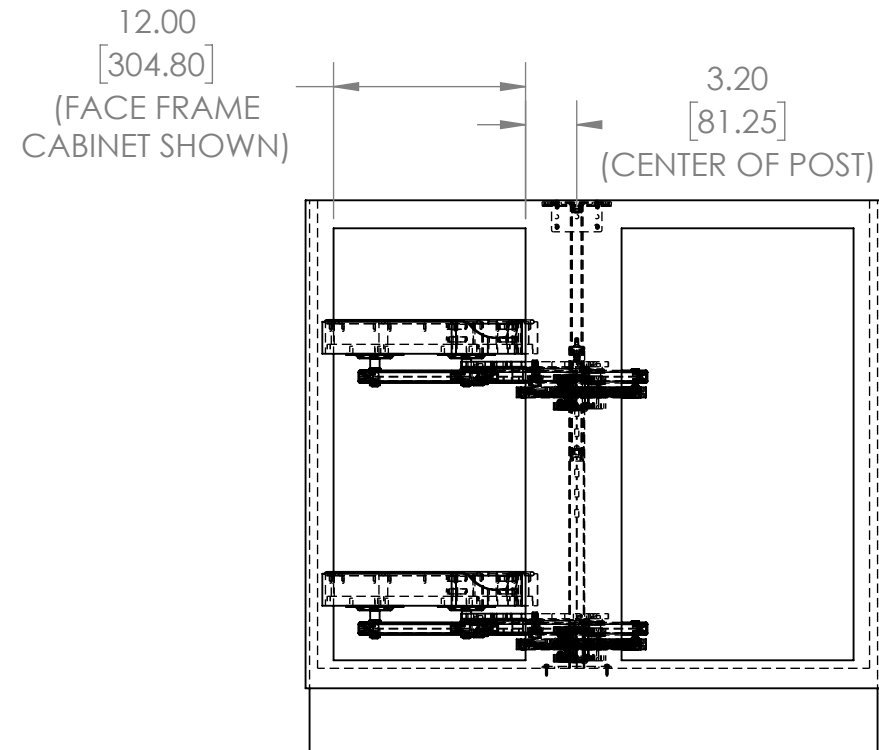
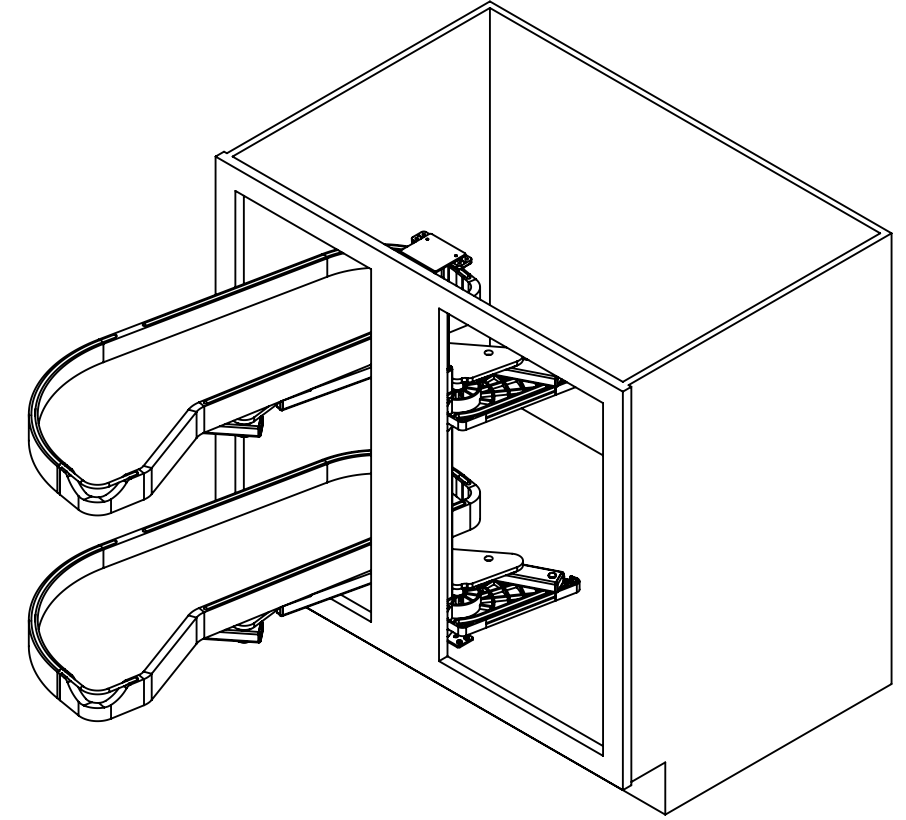
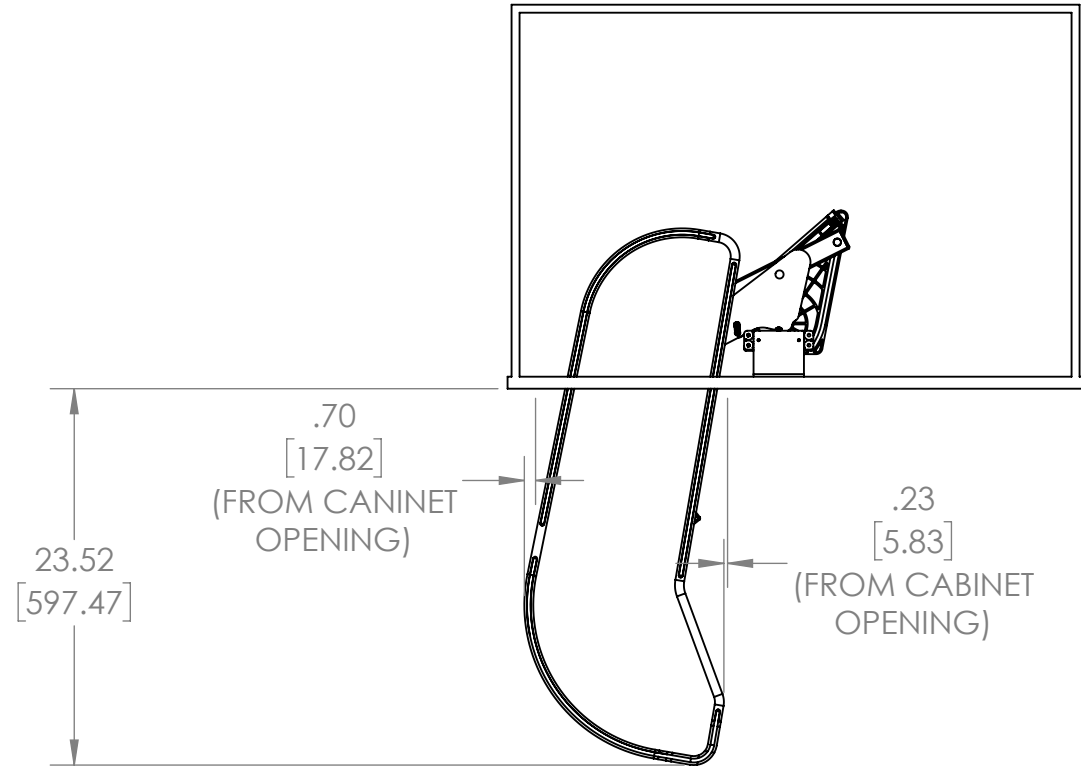
1

B

B

A

A



**PROPRIETARY AND CONFIDENTIAL**  
This drawing is the property of Rev-A-Shelf LLC (RAS) and is disclosed in confidence to the extent its subject matter is original to RAS. Any vendor receiving this drawing from RAS shall hold and use this drawing for the sole benefit of RAS and shall not disclose it to, or use or reproduce it for any third party, or perform any act adverse to the interest of RAS with respect to this drawing without the express written permission of RAS. Vendors shall not revise any physical, dimensional or performance characteristic unless authorized by Rev-A-Shelf Engineering.

**UNCONTROLLED IF PRINTED**

REV	DATE	BY	DESCRIPTION OF CHANGE

UNLESS OTHERWISE SPECIFIED:			Description:	
TOLERANCES = INCH/(MM) MAT. DEC. (WOOD) .XX +/--.03 [.8mm] (OTHER) .XX +/--.02 [.5mm] (ALL) .XXX +/--.005 [.13 mm] FRACTIONS +/-1/32 [.8 mm] ANGLES +/-1/2°			2-TIER CRAFTSMAN COLLECTION WOOD PULLOUT LEFT DOOR/BLIND RIGHT	
First Angle Projection			PART NO. 487CC-12-LMB	
MATERIAL			SIZE <b>B</b> DWG. NO. 487CC-12-LMB	
FINISH			SCALE: 1:12 WEIGHT:	
DO NOT SCALE DRAWING			NAME DATE	
DRAWN KRR 12-18-24			SHEET 2 OF 3	

4

3

2

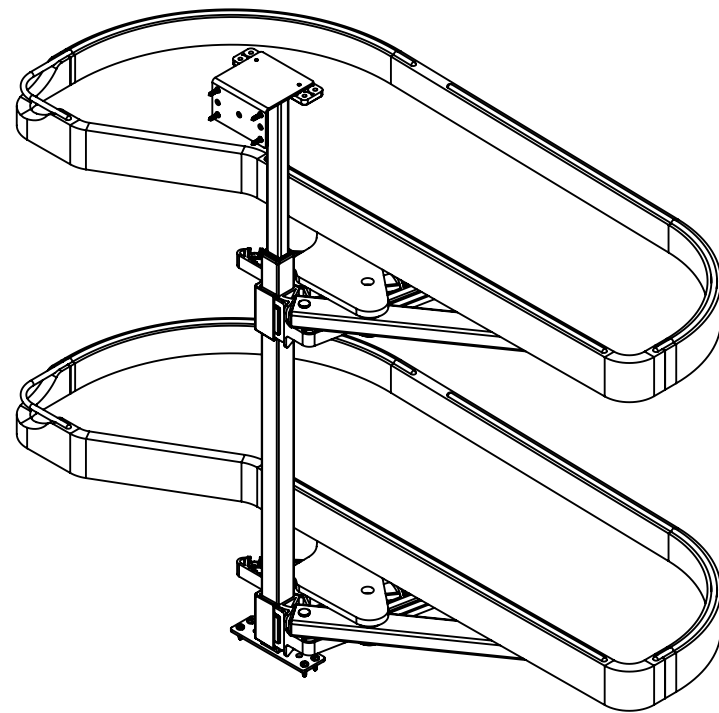
1

4

3

2

1



PART DIMENSIONS	
WIDTH	33.05 [839.50]
DEPTH	14.58 [370.30]
HEIGHT	24.41 [620] MIN.

MIN CABINET OPENING				
	FACE FRAME	FRAMELESS	INSET FACE FRAME	INSET FRAMELESS
WIDTH	12.00 [304.8]	13.50 [342.9]	12.00 [304.8]	13.50 [342.9]
DEPTH	22.50 [571.5]	22.50 [571.5]	22.50 [571.5]	22.50 [571.5]
HEIGHT *	18.50 [469.9]	18.50 [469.9]	18.50 [469.9]	18.50 [469.9]

\* NOTE: THIS HEIGHT LEAVES 4.28" ABOVE TRAY AT ITS LOWEST POSITION.

CUSTOMER DRAWING

**UNCONTROLLED IF PRINTED**



**PROPRIETARY AND CONFIDENTIAL**  
 This drawing is the property of Rev-A-Shelf LLC (RAS) and is disclosed in confidence to the extent its subject matter is original to RAS. Any vendor receiving this drawing from RAS shall hold and use this drawing for the sole benefit of RAS and shall not disclose it to, or use or reproduce it for any third party, or perform any act adverse to the interest of RAS with respect to this drawing without the express written permission of RAS. Vendors shall not revise any physical, dimensional or performance characteristic unless authorized by Rev-A-Shelf Engineering.

REV	DATE	BY	DESCRIPTION OF CHANGE

UNLESS OTHERWISE SPECIFIED:		Description:	
TOLERANCES = INCH/(MM) MAT. DEC. (WOOD) .XX +/- .03 [.8mm] (OTHER) .XX +/- .02 [.5mm] (ALL) .XXX +/- .005 [.13 mm] FRACTIONS +/- 1/32 [.8 mm] ANGLES +/- 1/2°		2-TIER CRAFTSMAN COLLECTION WOOD PULLOUT LEFT DOOR/BLIND RIGHT	
First Angle Projection		PART NO. 487CC-12-LMB	
MATERIAL	FINISH	SIZE <b>B</b>	DWG. NO. 487CC-12-LMB
DO NOT SCALE DRAWING	NAME	DATE	SCALE: 1:8
DRAWN	KRR	12-18-24	WEIGHT:
			SHEET 3 OF 3

4

3

2

1

B

B

A

A