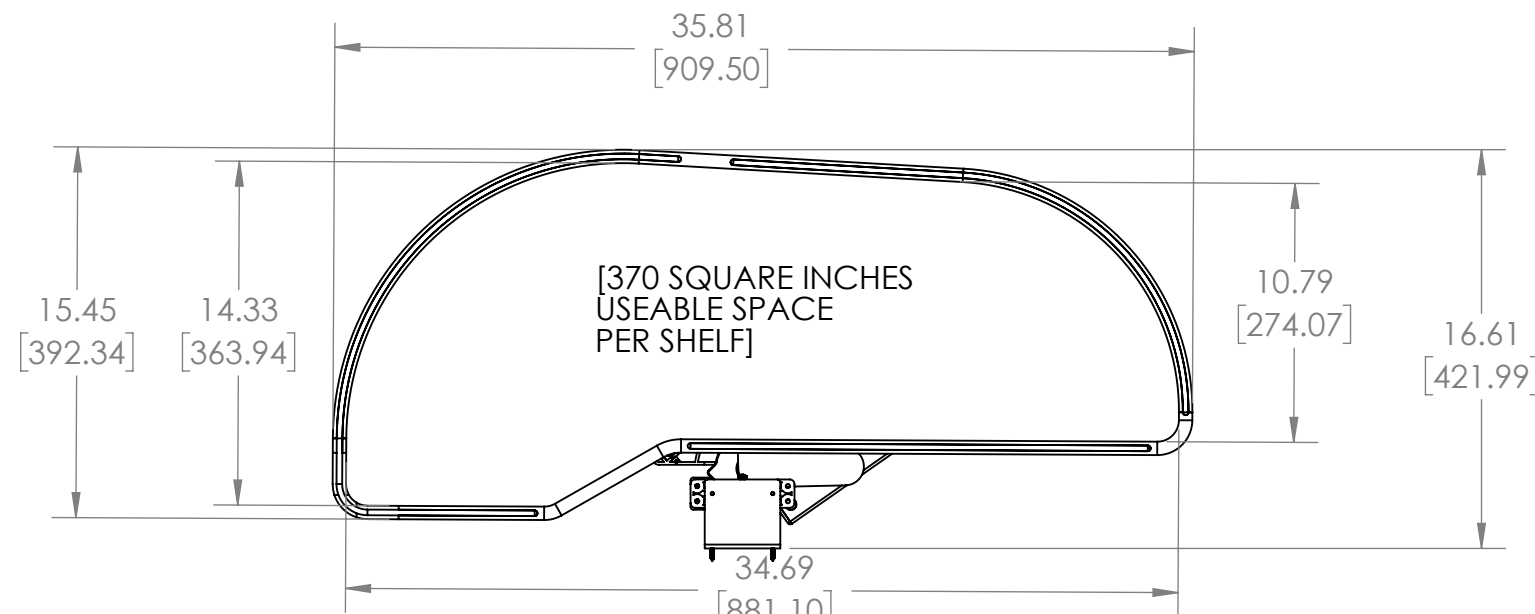


4

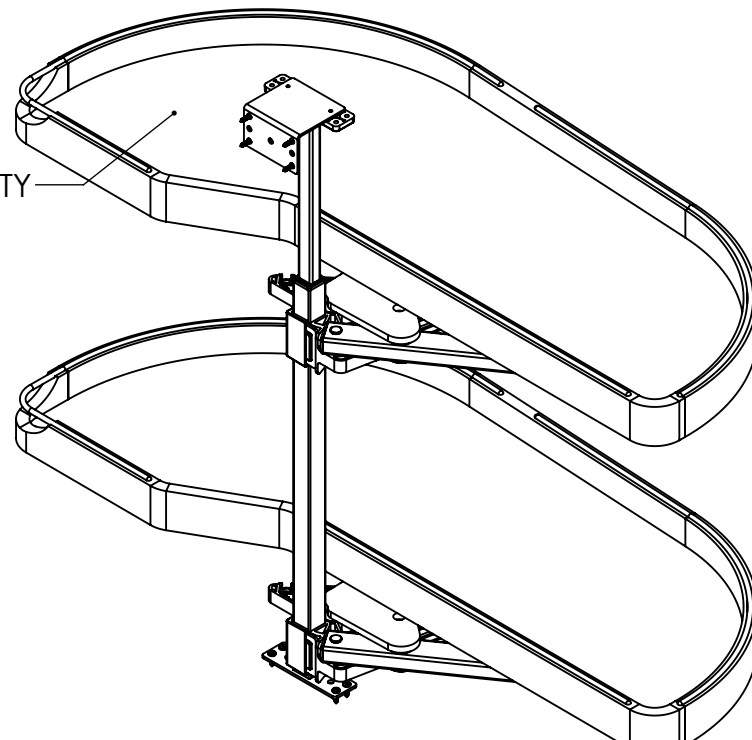
3

2

1

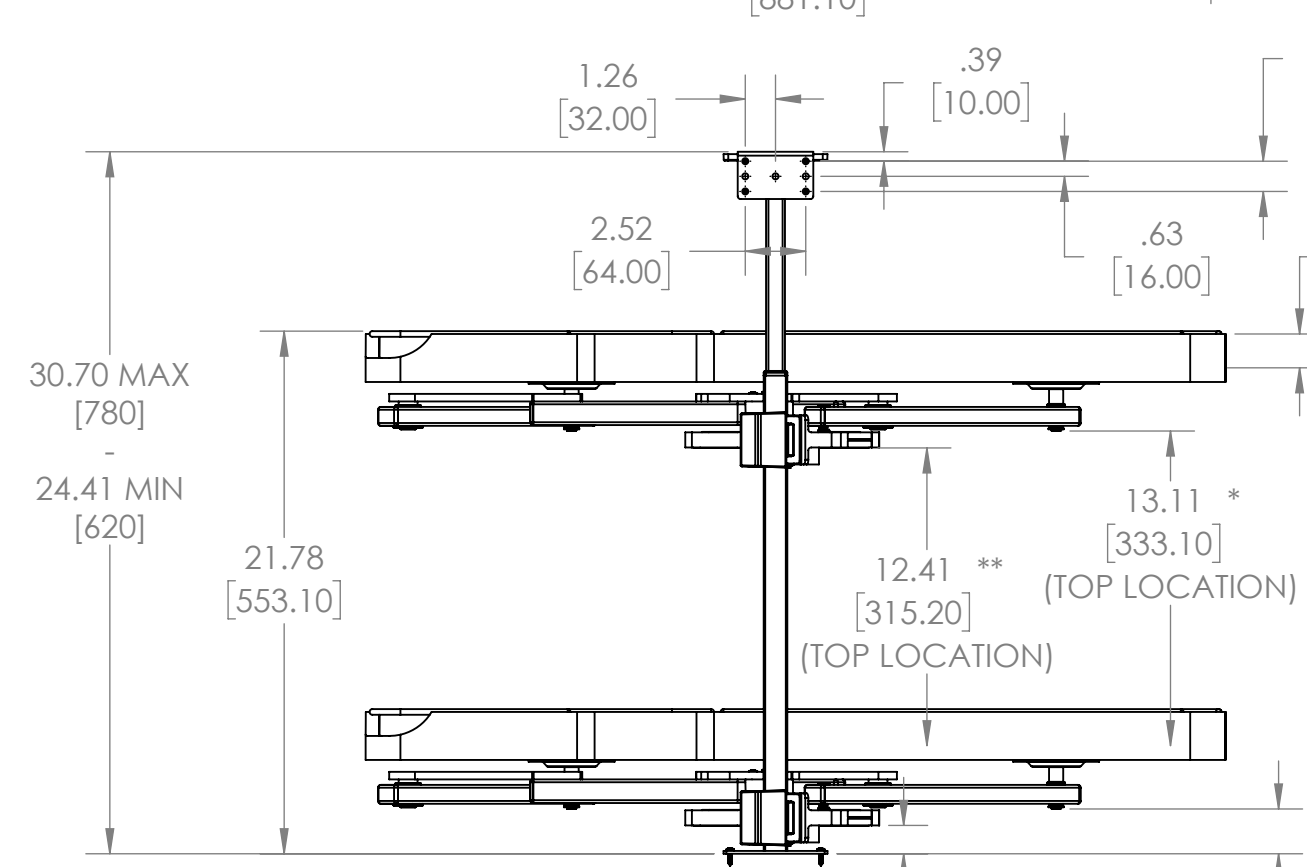


33 POUNDS (PER SHELF) CAPACITY



B

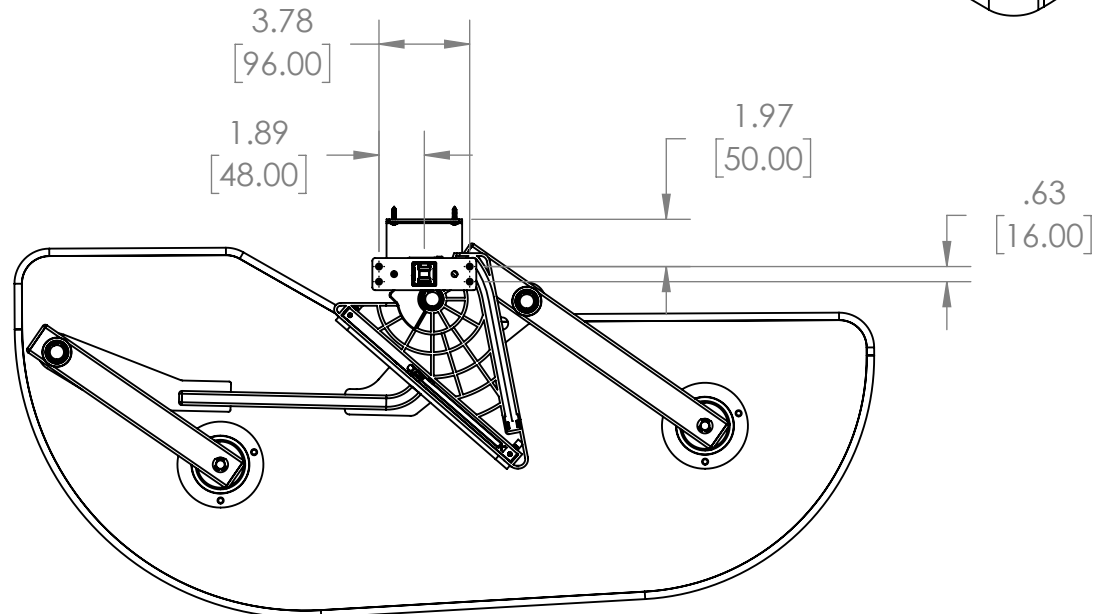
B



NOTE: SHELF ADJUSTMENT SPACING IS 1.26 [32]

(LOWER LOCATIONS)

*	**
11.85 [301.1]	11.15 [283.2]
10.59 [269.1]	9.89 [251.2]
9.33 [237.1]	8.63 [219.2]
8.07 [205.1]	7.37 [187.2]
6.81 [173.1]	6.11 [155.2]
5.55 [141.1]	4.85 [123.2]



BOTTOM VIEW

CUSTOMER DRAWING

A

A

(2.44 [62.00]) TOP LOCATION (LOWER LOCATION) (LOWER LOCATION) (3.13 [79.4]) TOP LOCATION



**PROPRIETARY AND CONFIDENTIAL**  
 This drawing is the property of Rev-A-Shelf LLC (RAS) and is disclosed in confidence to the extent its subject matter is original to RAS. Any vendor receiving this drawing from RAS shall hold and use this drawing for the sole benefit of RAS and shall not disclose it to, or use or reproduce it for any third party, or perform any act adverse to the interest of RAS with respect to this drawing without the express written permission of RAS. Vendors shall not revise any physical, dimensional or performance characteristic unless authorized by Rev-A-Shelf Engineering.

UNCONTROLLED IF PRINTED

REV	DATE	BY	DESCRIPTION OF CHANGE

UNLESS OTHERWISE SPECIFIED:		Description:	
TOLERANCES = INCH/(MM) MAT. DEC. (WOOD) .XX +/--.03 [8mm] (OTHER) .XX +/--.02 [5mm] (ALL) .XXX +/--.005 [13 mm] FRACTIONS +/-1/32 [8 mm] ANGLES +/-1/2°		2-TIER CRAFTSMAN COLLECTION WOOD PULLOUT LEFT DOOR/BLIND RIGHT	
Third Angle Projection		PART NO. 487CC-15-LMB	
MATERIAL	FINISH	SIZE	DWG. NO.
DO NOT SCALE DRAWING	NAME	<b>B</b>	487CC-15-LMB
DRAWN	KRR	DATE	12-18-24
SCALE: 1:8	WEIGHT:	SHEET 1 OF 3	

4

3

2

1

4

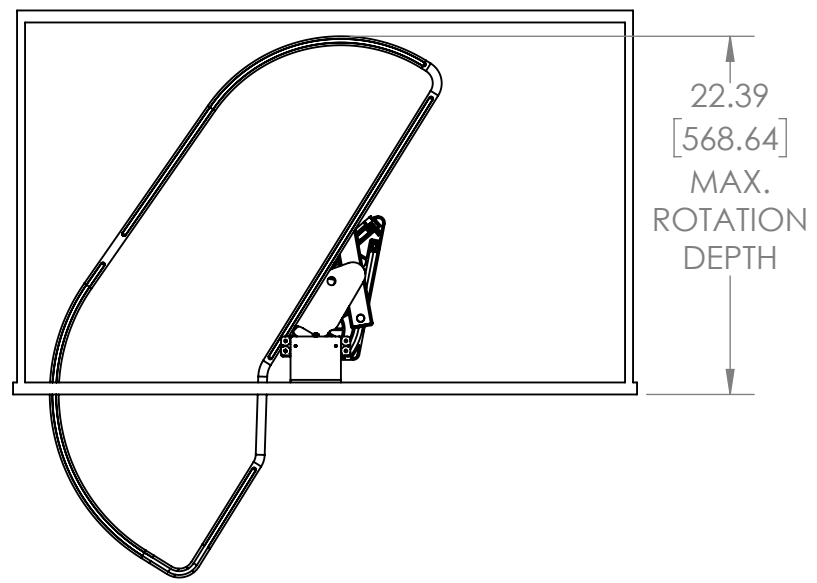
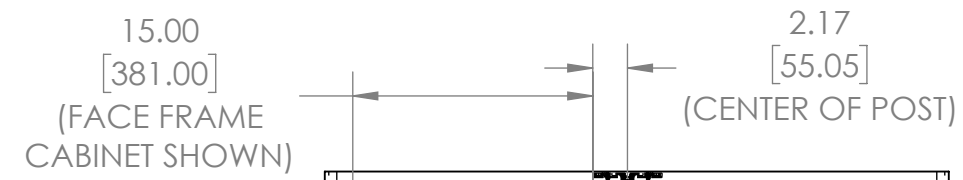
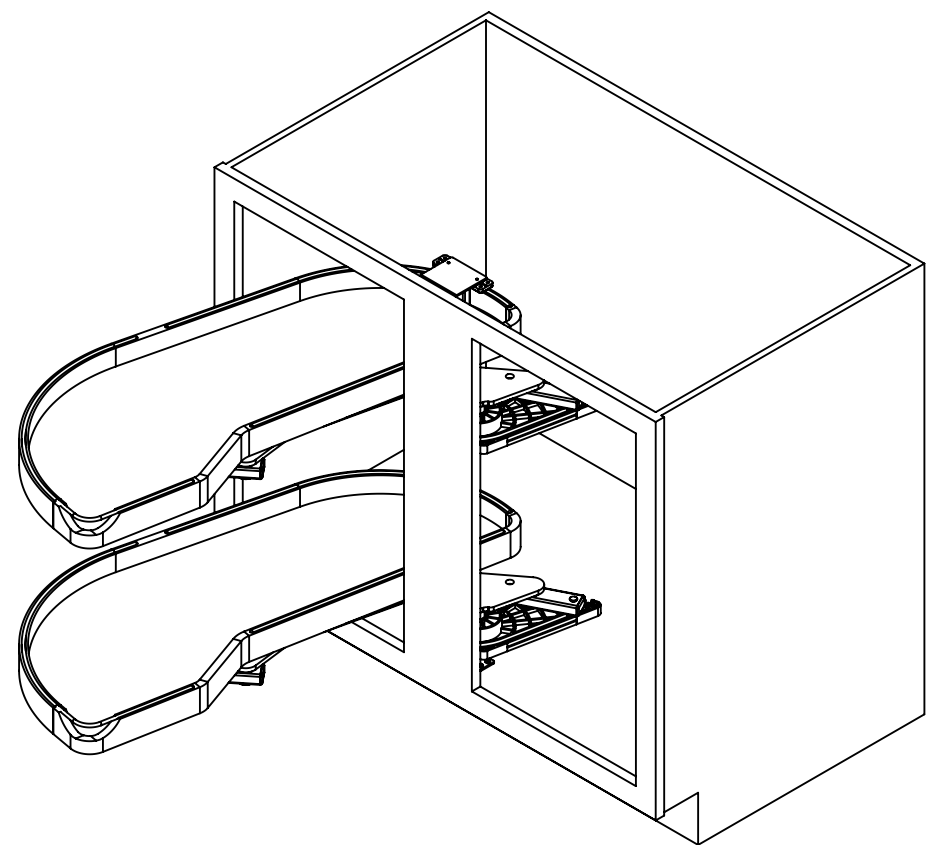
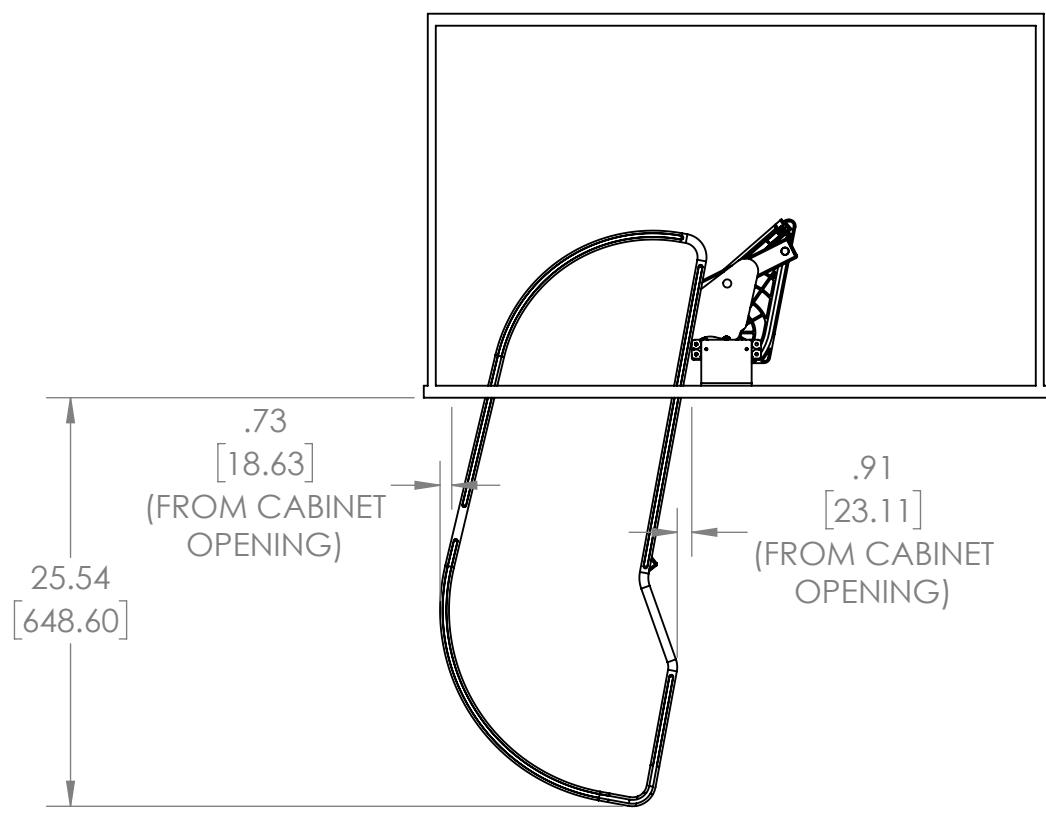
3

2

1

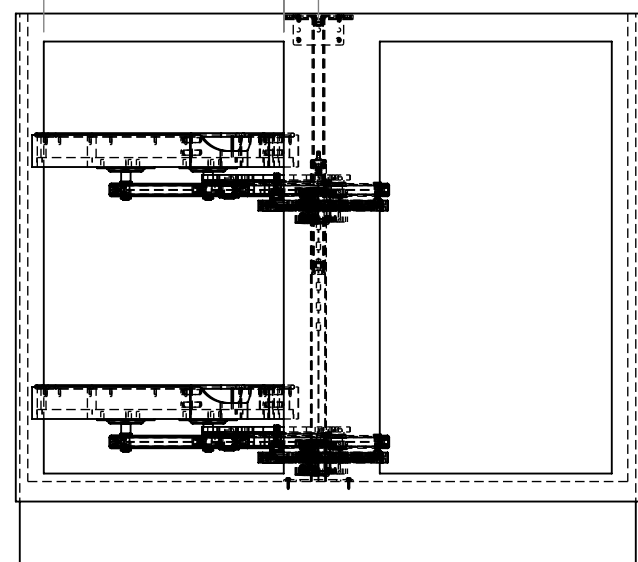
B

B



A

A



UNLESS OTHERWISE SPECIFIED:

TOLERANCES = INCH/(MM)  
 MAT. DEC.  
 (WOOD) .XX +/--.03 [.8mm]  
 (OTHER) .XX +/--.02 [.5mm]  
 (ALL) .XXX +/--.005 [.13 mm]  
 FRACTIONS +/-1/32 [.8 mm]  
 ANGLES +/-1/2°

First Angle Projection

MATERIAL	FINISH
DO NOT SCALE DRAWING	NAME DATE
DRAWN	KRR 12-18-24

Description:  
**2-TIER CRAFTSMAN COLLECTION  
 WOOD PULLOUT LEFT  
 DOOR/BLIND RIGHT**

PART NO. **487CC-15-LMB**

SIZE **B** DWG. NO. **487CC-15-LMB**

SCALE: 1:12 WEIGHT: SHEET 2 OF 3



**PROPRIETARY AND CONFIDENTIAL**  
 This drawing is the property of Rev-A-Shelf LLC (RAS) and is disclosed in confidence to the extent its subject matter is original to RAS. Any vendor receiving this drawing from RAS shall hold and use this drawing for the sole benefit of RAS and shall not disclose it to, or use or reproduce it for any third party, or perform any act adverse to the interest of RAS with respect to this drawing without the express written permission of RAS. Vendors shall not revise any physical, dimensional or performance characteristic unless authorized by Rev-A-Shelf Engineering.

REV	DATE	BY	DESCRIPTION OF CHANGE

**UNCONTROLLED IF PRINTED**

4

3

2

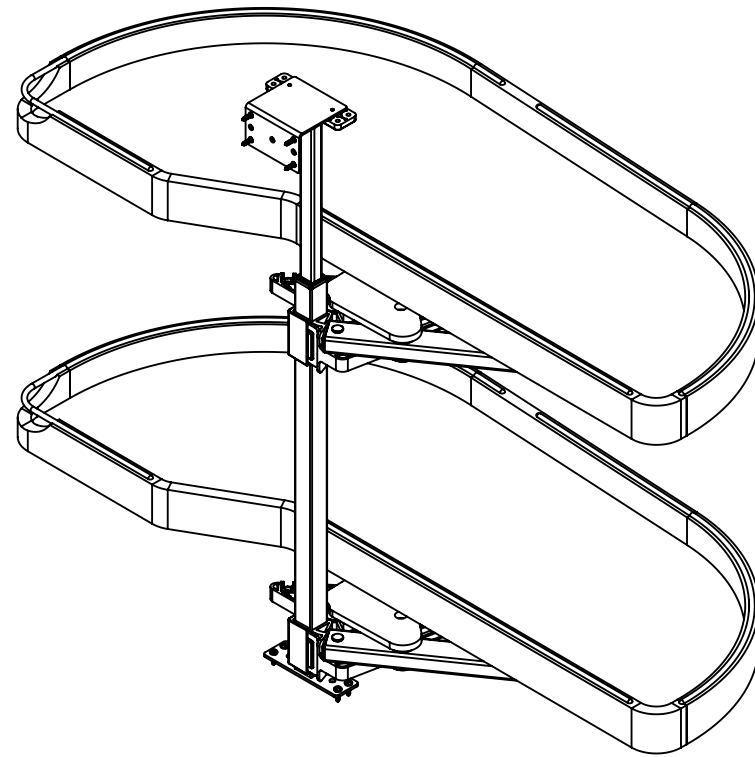
1

4

3

2

1



PART DIMENSIONS	
WIDTH	35.81 [909.5]
DEPTH	16.61 [422]
HEIGHT	24.41 [620] MIN

MIN CABINET OPENING				
	FACE FRAME	FRAMELESS	INSET FACE FRAME	INSET FRAMELESS
WIDTH	15.00 [381]	16.50 [419]	15.00 [381]	16.50 [419]
DEPTH	22.50 [571.5]	22.50 [571.5]	22.50 [571.5]	22.50 [571.5]
HEIGHT *	18.50 [469.9]	18.50 [469.9]	18.50 [469.9]	18.50 [469.9]

\* NOTE: THIS HEIGHT LEAVES 4.28" ABOVE TRAY IN ITS LOWEST POSITION.

CUSTOMER DRAWING

**UNCONTROLLED IF PRINTED**



**PROPRIETARY AND CONFIDENTIAL**  
 This drawing is the property of Rev-A-Shelf LLC (RAS) and is disclosed in confidence to the extent its subject matter is original to RAS. Any vendor receiving this drawing from RAS shall hold and use this drawing for the sole benefit of RAS and shall not disclose it to, or use or reproduce it for any third party, or perform any act adverse to the interest of RAS with respect to this drawing without the express written permission of RAS. Vendors shall not revise any physical, dimensional or performance characteristic unless authorized by Rev-A-Shelf Engineering.

REV	DATE	BY	DESCRIPTION OF CHANGE

UNLESS OTHERWISE SPECIFIED:		Description:	
TOLERANCES = INCH/(MM) MAT. DEC. (WOOD) .XX +/- .03 [8mm] (OTHER) .XX +/- .02 [5mm] (ALL) .XXX +/- .005 [13 mm] FRACTIONS +/- 1/32 [8 mm] ANGLES +/- 1/2°		2-TIER CRAFTSMAN COLLECTION WOOD PULLOUT LEFT DOOR/BLIND RIGHT	
First Angle Projection		PART NO. 487CC-15-LMB	
MATERIAL	FINISH	SIZE	DWG. NO.
DO NOT SCALE DRAWING	NAME	<b>B</b>	487CC-15-LMB
DRAWN	KRR	DATE	12-18-24
SCALE: 1:8	WEIGHT:	SHEET 3 OF 3	

4

3

2

1

B

B

A

A