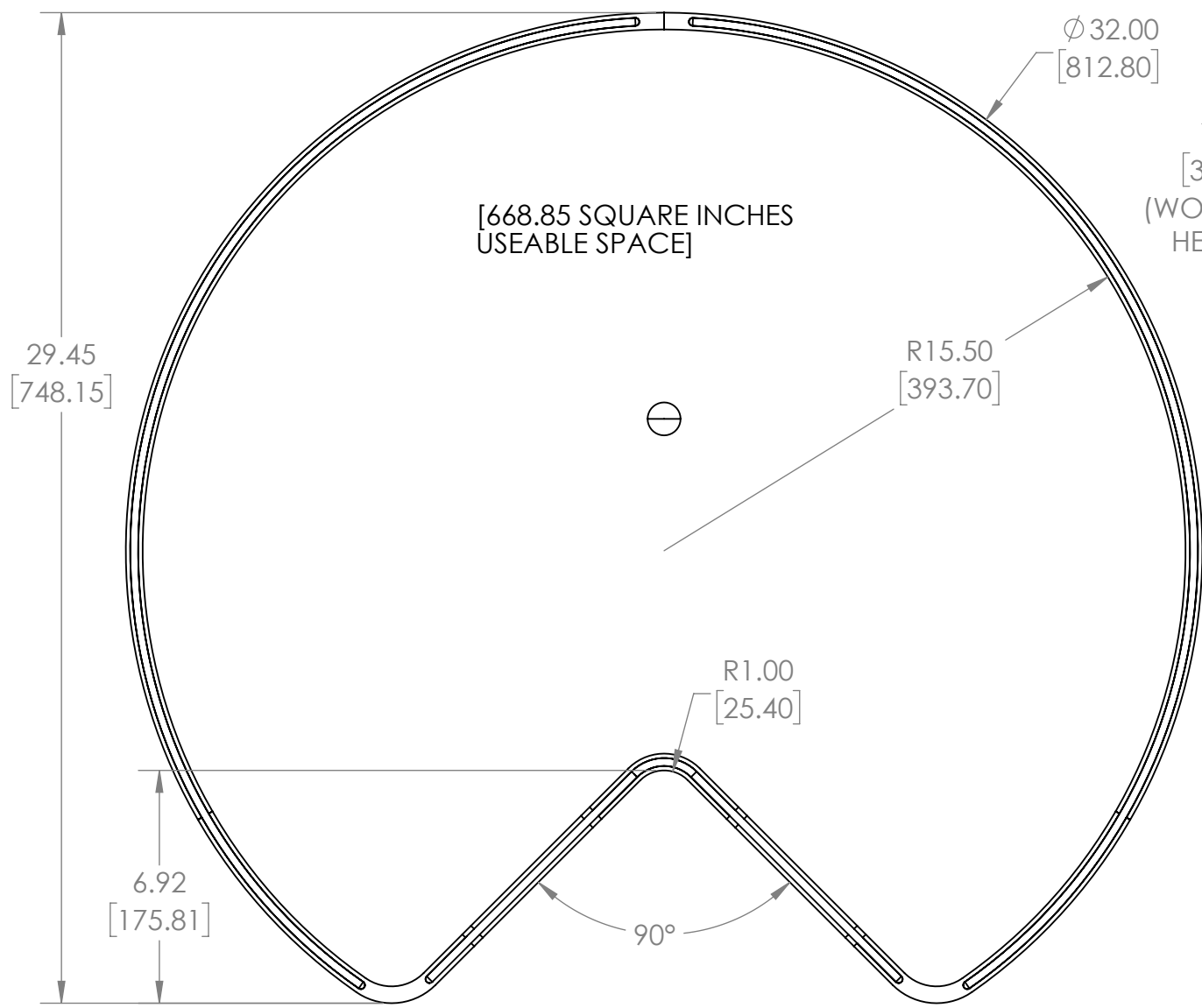


4

3

2

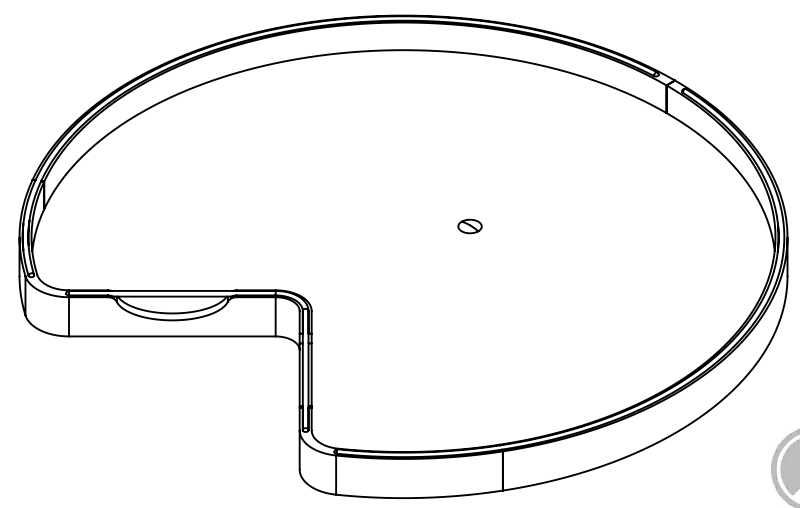
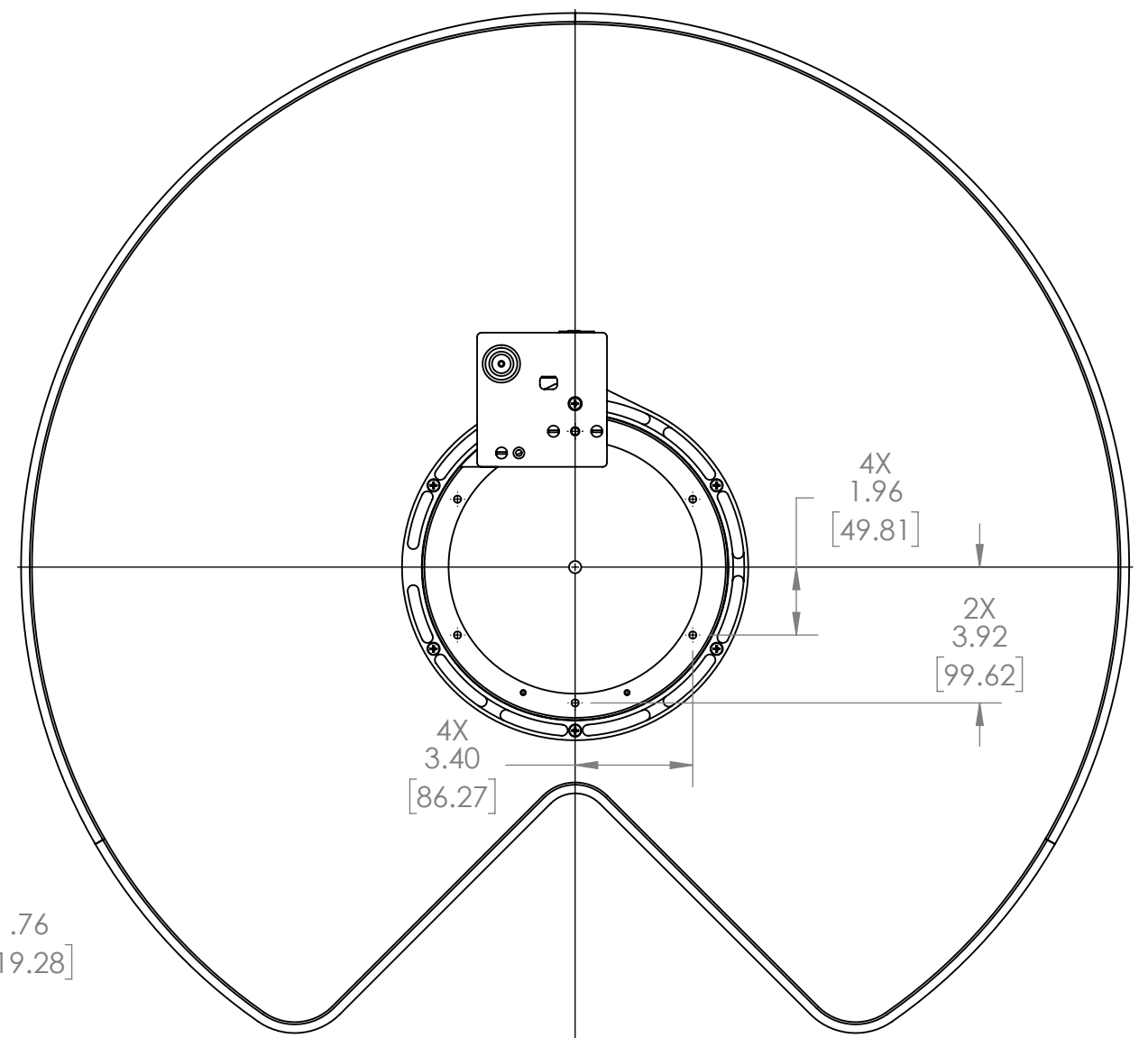
1



1.41  
[35.81]  
(WOOD RIM  
HEIGHT)

2.88  
[73.08]

.76  
[19.28]



CUSTOMER DRAWING



**PROPRIETARY AND CONFIDENTIAL**  
This drawing is the property of Rev-A-Shelf LLC (RAS) and is disclosed in confidence to the extent its subject matter is original to RAS. Any vendor receiving this drawing from RAS shall hold and use this drawing for the sole benefit of RAS and shall not disclose it to, or use or reproduce it for any third party, or perform any act adverse to the interest of RAS with respect to this drawing without the express written permission of RAS. Vendors shall not revise any physical, dimensional or performance characteristic unless authorized by Rev-A-Shelf Engineering.

**UNCONTROLLED IF PRINTED**

REV	DATE	BY	DESCRIPTION OF CHANGE

UNLESS OTHERWISE SPECIFIED:		
TOLERANCES = INCH/(MM)		
MAT. DEC.		
(WOOD) .XX +/- .03 [.8mm]		
(OTHER) .XX +/- .02 [.5mm]		
(ALL) .XXX +/- .005 [.13 mm]		
FRACTIONS +/- 1/32 [.8 mm]		
ANGLES +/- 1/2°		
Third Angle Projection		
MATERIAL	FINISH	
DO NOT SCALE DRAWING	NAME	DATE
DRAWN	KRR	1-13-25

Description:	
32" CRAFTSMAN COLLECTION KIDNEY WITH 10" BEARING	
PART NO.	4CC-401-32BS-1MB
SIZE	DWG. NO.
<b>B</b>	4CC-401-32BS-1MB
SCALE: 1:5	WEIGHT:
SHEET 1 OF 1	

4

3

2

1

B

B

A

A