

4

3

2

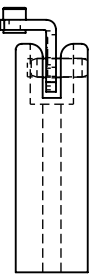
1

DIM "A"

SLIDE MOUNTING SURFACE

2.38
[60.45]

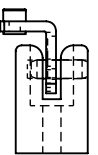
2.63
[66.80]



SLIDE MOUNTING SURFACE

1.13
[28.58]

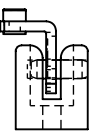
1.38
[34.93]



SLIDE MOUNTING SURFACE

.88
[22.23]

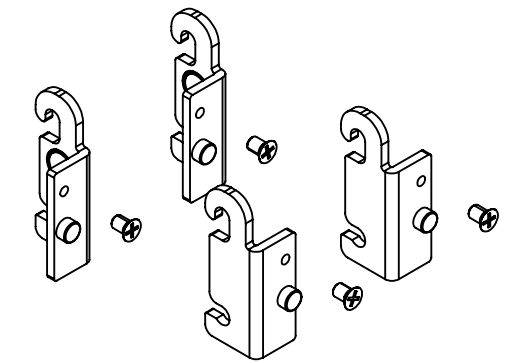
1.13
[28.58]



.75
[19.05]

FINISHED GOOD PART NUMBER	DIM "A"	SHORT DESCRIPTION
4PIL-20-088-1	19.64	19.64 X .88 PILASTER SYSTEM - 2 HDW SET
4PIL-27-088-1	27.20	27.2 X .88 PILASTER SYSTEM - 3 HDW SET
4PIL-58-088-1	57.44	57.44 X .88 PILASTER SYSTEM - 5 HDW SET
4PIL-20-113-1	19.64	19.64 X 1.13 PILASTER SYSTEM - 2 HDW SET
4PIL-27-113-1	27.20	27.2 X 1.13 PILASTER SYSTEM - 3 HDW SET
4PIL-58-113-1	57.44	57.44 X 1.13 PILASTER SYSTEM - 5 HDW SET
4PIL-20-238-1	19.64	19.64 X 2.38 PILASTER SYSTEM - 2 HDW SET
4PIL-27-238-1	27.20	27.2 X 2.38 PILASTER SYSTEM - 3 HDW SET
4PIL-58-238-1	57.44	57.44 X 2.38 PILASTER SYSTEM - 5 HDW SET
4PILU-43-088	42.32	42.32 X .88 PILASTER UPRIGHT STICK
4PILU-50-088	49.88	49.88 x .88 PILASTER UPRIGHT STICK
4PILU-58-088	57.44	57.44 x .88 PILASTER UPRIGHT STICK
4PILU-43-113	42.32	42.32 X 1.13 PILASTER UPRIGHT STICK
4PILU-50-113	49.88	49.88 X 1.13 PILASTER UPRIGHT STICK
4PILU-58-113	57.44	57.44 X 1.13 PILASTER UPRIGHT STICK
4PILU-43-238	42.32	42.32 X 2.38 PILASTER UPRIGHT STICK
4PILU-50-238	49.88	49.88 X 2.38 PILASTER UPRIGHT STICK
4PILU-58-088	57.44	57.44 X 2.38 PILASTER UPRIGHT STICK

NOTE:
 1) THESE STANDARDS, THE 2.38 & 1.13 WIDTH'S CAN BE TRIMMED TO FIT YOUR CUSTOM SIZE OPENING OR DRAWERS. THE MINIMUM WIDTH THAT THESE CAN BE CUT DOWN TO IS .88 DIMENSION, NO LESS.



1 HDW SET

CUSTOMER DRAWING

UNCONTROLLED IF PRINTED



PROPRIETARY AND CONFIDENTIAL
 This drawing is the property of Rev-A-Shelf LLC (RAS) and is disclosed in confidence to the extent its subject matter is original to RAS. Any vendor receiving this drawing from RAS shall hold and use this drawing for the sole benefit of RAS and shall not disclose it to, or use or reproduce it for any third party, or perform any act adverse to the interest of RAS with respect to this drawing without the express written permission of RAS. Vendors shall not revise any physical, dimensional or performance characteristic unless authorized by Rev-A-Shelf Engineering.

REV	DATE	BY	DESCRIPTION OF CHANGE

UNLESS OTHERWISE SPECIFIED:		Description:	
TOLERANCES = INCH/(MM) MAT. DEC. (WOOD) .XX +/--.03 [.8mm] (OTHER) .XX +/--.02 [.5mm] (ALL) .XXX +/--.005 [.13 mm] FRACTIONS +/-1/32 [.8 mm] ANGLES +/-1/2°		WOOD PILASTER STANDARD AND SLIDE MOUNTING HARDWARE	
First Angle Projection		PART NO. SEE CHART ABOVE	
MATERIAL	FINISH	SIZE B	DWG. NO. 4PIL-XX-XXX-1
DO NOT SCALE DRAWING	NAME	DATE	REV
DRAWN	BKT	5-27-25	SCALE: 1:8 WEIGHT: SHEET 1 OF 1

4

3

2

1