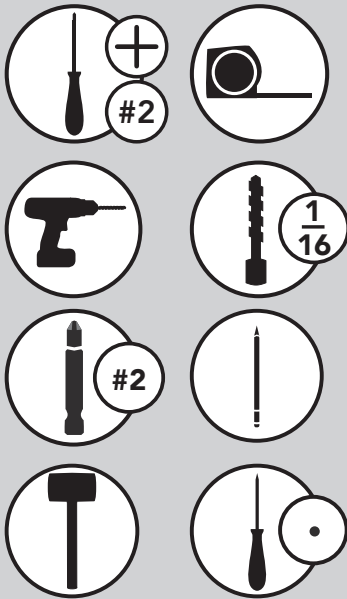


INSTALLATION INSTRUCTIONS

4WCDM SERIES BOTTOM MOUNT WASTE CONTAINER

TOOLS REQUIRED:



ESTIMATED ASSEMBLY TIME:

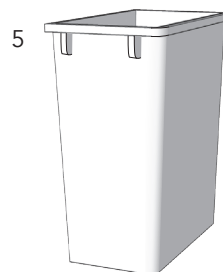
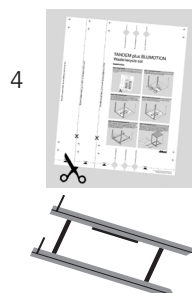
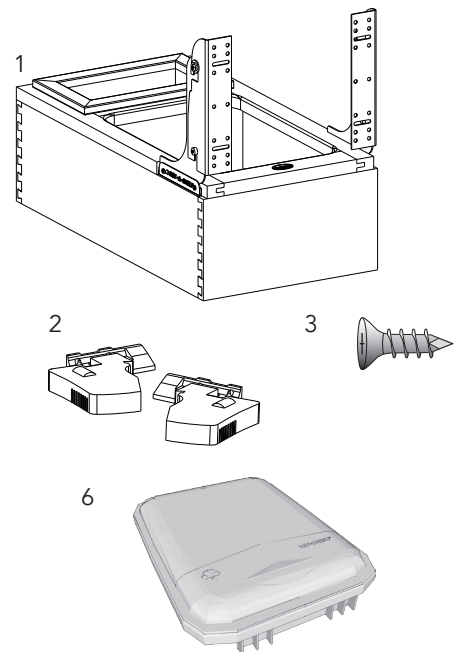
45 MIN

CARE AND MAINTENANCE:

Clean with a damp cloth and wipe parts dry.



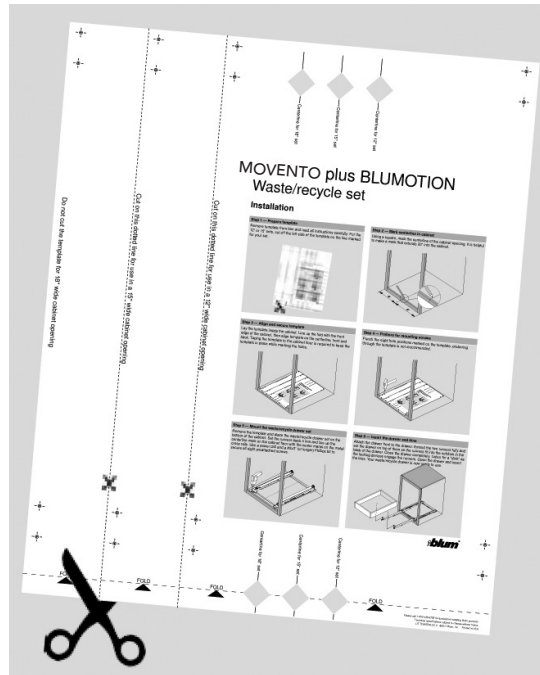
| Parts List | | |
|------------|--------------------------|-----|
| No. | Description | Qty |
| 1 | Frame | 1 |
| 2 | Slide Triggers w/ Screws | 2 |
| 3 | Door Mount Screws | 6 |
| 4 | Slide Set w/ Template | 1 |
| 5 | Waste Container(s) | 1-2 |
| 6 | Lid | 1 |



INSTALLING THE SLIDES STEP 1

Use the Blum template to install slides to cabinet floor (See Fig 1)

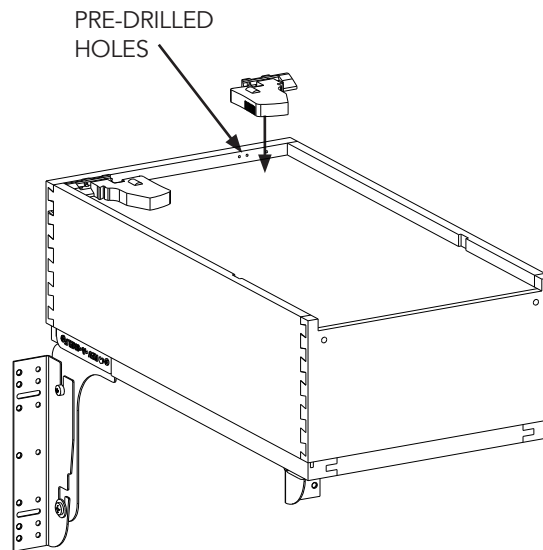
FIGURE 1



ATTACHING TRIGGERS STEP 2

Install the Blum locking devices to the underside front corners of the wood frame with supplied screws (See Fig 2).

FIGURE 2

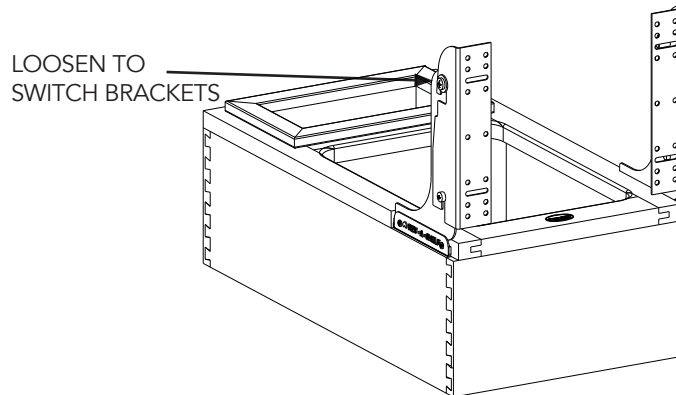


DOOR MOUNT BRACKET ORIENTATION STEP 3

Loosen the bolts and switch door mount brackets from the position they were shipped in to the normal position.

NOTE: Disregard this step if you are installing into a cabinet with an inset door application.

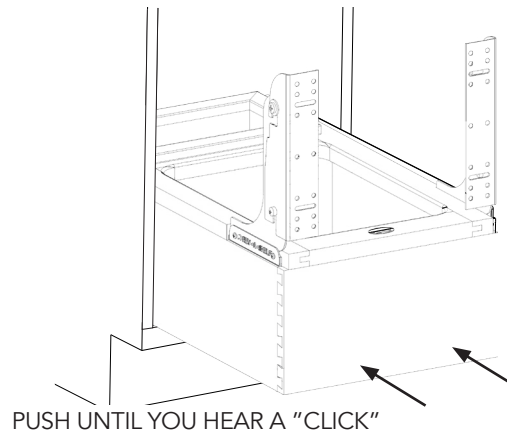
FIGURE 3



STEP 4

Place frame on slides and push back until slides engage (See Fig 4). When the slides are engaged, you will hear a distinctive "click" sound.

FIGURE 4

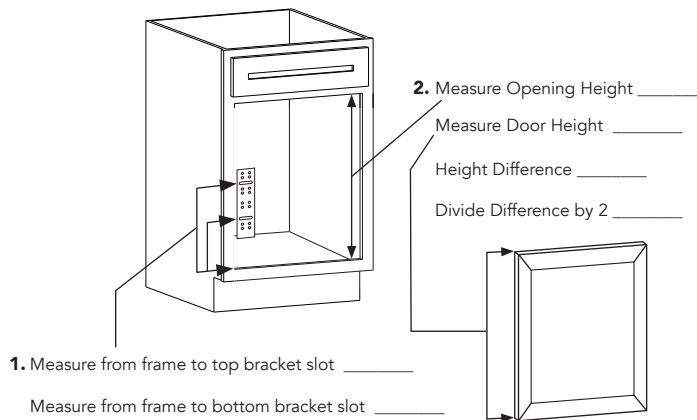


DOOR MOUNTING STEP 5

Refer to Figure 5A for the proper door mounting measurements.

Once you have the measurements required to mount the frame to your door correctly, pull out the frame and attach the brackets to the door with the provided #6 x 1/2" screws (See Fig 5B). **DO NOT TIGHTEN THE SCREWS ALL THE WAY AT THIS TIME.** Close the frame and adjust your door to center to your cabinet opening. Slowly pull the frame out of the cabinet and tighten your door mounting screws. Pre-drill one of the center holes on both sides of the door mount brackets and install another door mounting screw to keep the door centered.

FIGURE 5A



3. If your door is larger than cabinet opening, **add** the divided difference you found in step 2 to the measurements in step 1. If your door is smaller, **subtract** the divided difference from the measurements in step 1.

Top Measurement _____

Bottom Measurement _____

Mark screw locations on your door and pre-drill. Be careful not to drill through the cabinet door.

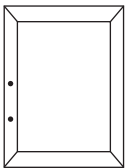
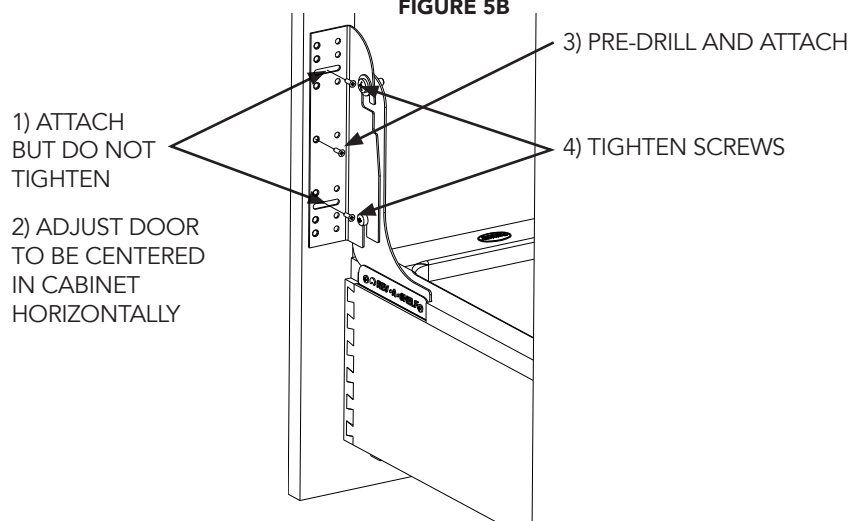


FIGURE 5B

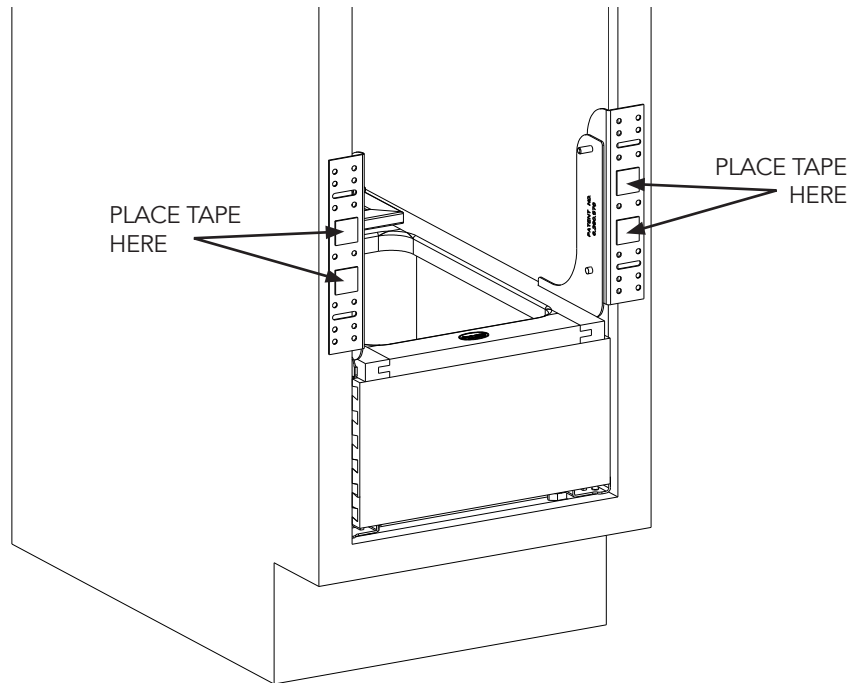


**DOOR MOUNT W/
DOUBLE SIDED TAPE
STEP 6**

Refer to Figure 6 for tape position locations. Approximate the door position in order to be centered both horizontally and vertically and press against the tape. Attach the brackets to the door with the provided #6 x 1/2" screws.

NOTE: While this method is quicker and easier than the previous method for door installation, it also comes with the drawback that you cannot horizontally adjust your door once brackets are attached.

FIGURE 6



**TIP-ON BLUMOTION AND SERVO DRIVE COMPATIBLE.
SEE REV-A-SHELF.COM FOR KITS**



12400 Earl Jones Way
Louisville, KY 40299
rev-a-shelf.com
Customer Service: 800-626-1126