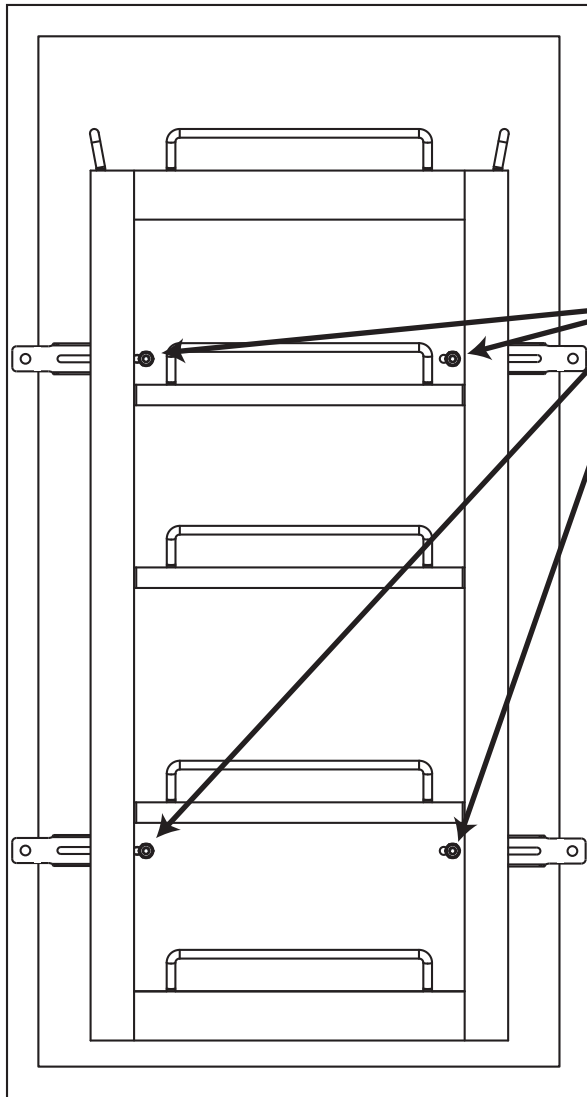


4W Series Installation Instructions



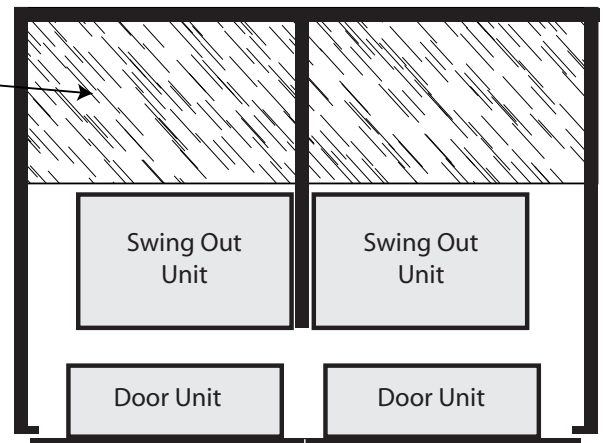
• Door Unit (25" tall version shown)



- Step 1.** Loosen Adjustable Mounting Brackets (AMB's), adjust until unit is in center of door.
(This is to ensure door swing clearance, away from non-hinge side of door)
- Step 2.** Tighten AMB's after desired placement is achieved
- Step 3.** Make sure bottom of unit clears cabinet opening.
(If swing out unit is installed, door unit should be mounted at same height)
- Step 4.** Screw unit into door frame using 4mm x 16mm screws provided for AMB's

Top View Completed Installation

Fixed Shelves



Questions? Call our Customer Service Specialist at
800-626-1126 or visit us online at www.rev-a-shelf.com



2409 Plantside Drive
Jeffersontown, KY 40299