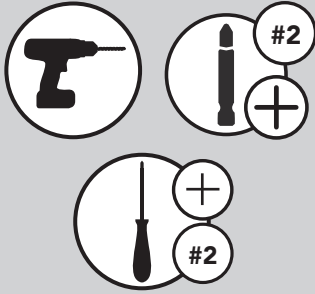


INSTALLATION INSTRUCTIONS

CBSR/CTR/CVR SERIES

TOOLS REQUIRED:



ESTIMATED ASSEMBLY TIME:

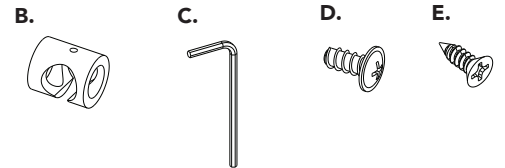
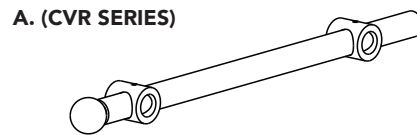
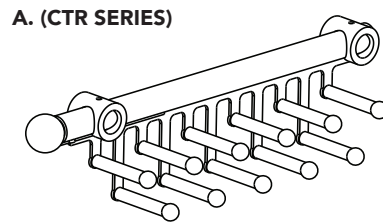
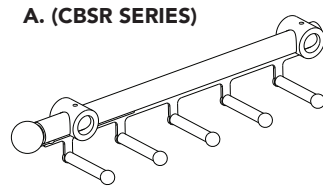
10 MIN

CARE AND MAINTENANCE:

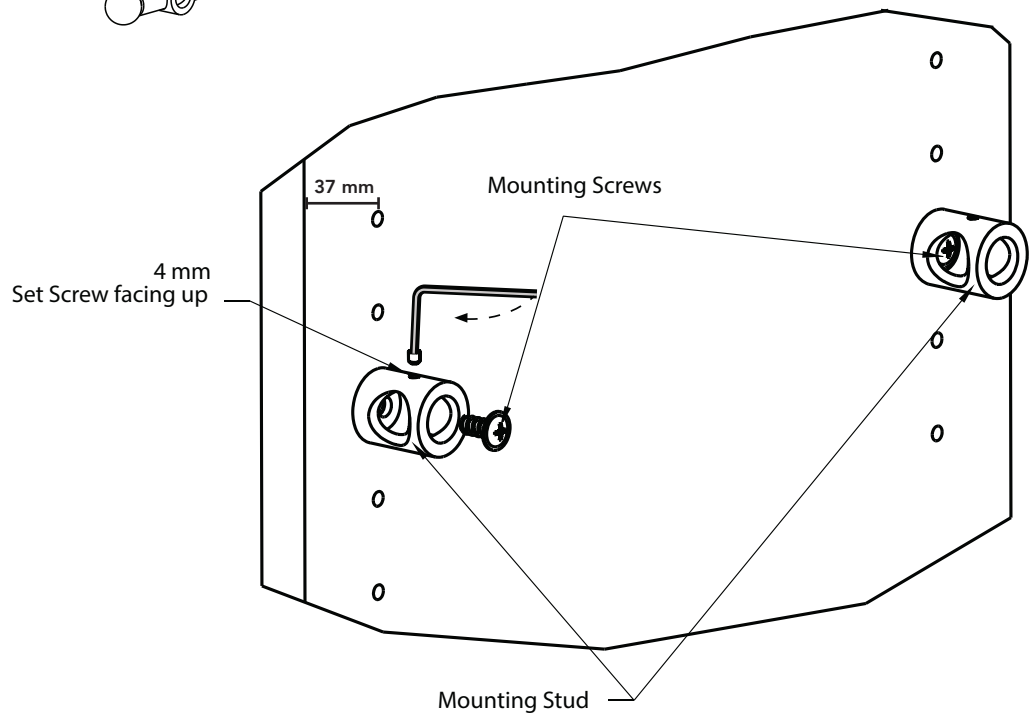
Clean with a damp cloth and wipe parts dry.

NOTE:

Wood screws can be used if closet does not utilize system holes.



Parts List		
No.	Description	Qty
A	Carriage	1
B	Mounting Studs	2
C	Allen Wrench	1
D	Mounting Screws	2
E	Wood Screws	2



These units can be unassembled and flipped, see back for details.

FLIPPING

These units can be flipped for left of right installation.

