



ML-WNHDSCOF-18FL

## RAS-ML Series

- Fits most cabinet sizes
- Works with your custom shelf
- Mounts to cabinet side
- Adjustable spring tension
- Available with built-in shock dampeners
- Holds appliances up to 60 lbs.

## ML Series

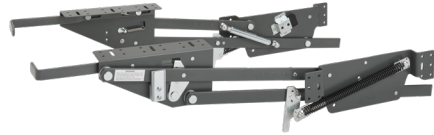
- Silver lift:
  - Designed for 18" face frame base cabinets
  - 1-1/2" thick Maple shelf
- Orion gray lift:
  - Designed for 18" full access base cabinets
  - 1-1/2" thick Walnut shelf
- Mounts to cabinet side
- Adjustable spring tension
- Built-in shock dampeners
- Holds appliances up to 60 lbs.
- TSCA Title VI compliant



For video visit:  
[rev-a-shelf.com/videos](https://rev-a-shelf.com/videos)



**RAS-ML-HDCR**  
Mixer Lift  
(Chrome finish Shown)



**RAS-ML-HDSCOG**  
Soft-Close Mixer Lift  
(Orion Gray finish shown)

**RECOMMENDED SPRING POSITION FOR VARYING MIXER WEIGHT**

- 0-20 lb. = 1
- 20-30 lb. = 2
- 30-60 lb. = 3



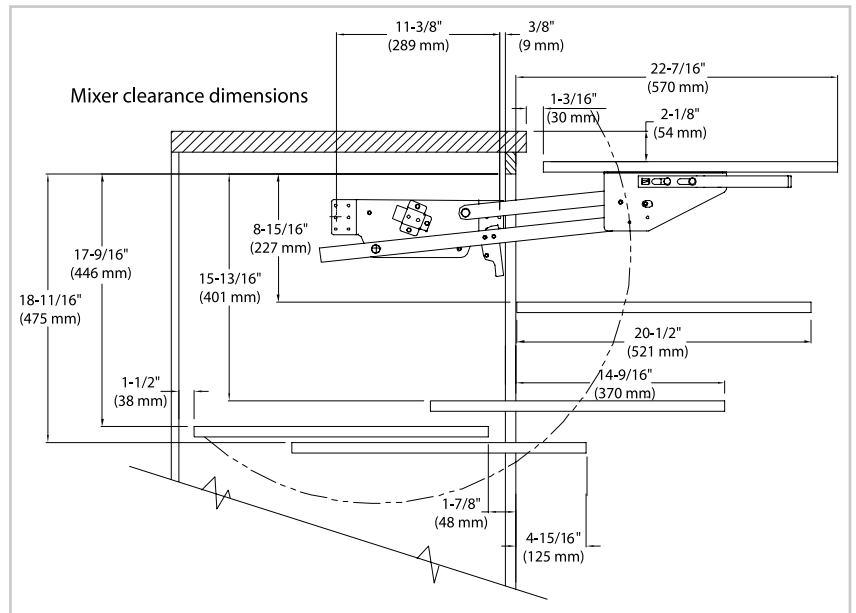
Soft-Close piston



Great for a variety of small appliances

Pase Solutions

**SOFT-CLOSE MIXER LIFT KITS W/ SHELF INCLUDED MIXER CLEARING DIMENSIONS**



**NOTE:** To determine shelf size measure the distance between mounting plates when installed minus 1-1/4" (32 mm). Recommended length of shelf is 20" (508 mm). Mounting plates are 1" wide.

**Heavy Duty Mixer Lift Kit w/ Soft-Close**

PRODUCT	DESCRIPTION	DIMS	MCO	CAB	FINISH	SLP
ML-MPHDSCCR-18	Mixer Lift Kit	See Illustration	15" (381 mm)	FFFH18	Silver/ Maple	\$402.25
ML-WNHDSOCG-18FL	Mixer Lift Kit	See Illustration	16-1/2" (419 mm)	FLFH18	Orion Gray	\$537.50

**Heavy Duty Mixer Lift w/ Soft- Close - Arms Only**

RAS-ML-HDSCOG	Mixer Lift	See Illustration			Silver	\$294.20
RAS-ML-HDSC	Mixer Lift	See Illustration			Silver	\$289.40

**Heavy Duty Mixer Lift**

RAS-ML-HDCR	Mixer Lift	See Illustration			Silver	\$168.20
-------------	------------	------------------	--	--	--------	----------