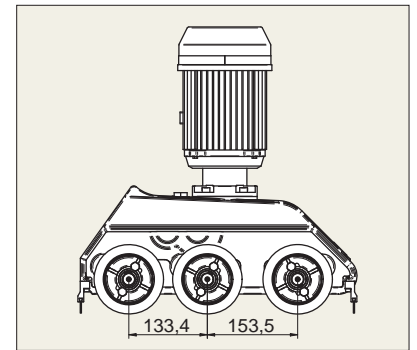


Steff

Avanzamento automatici / Power Feeders
Entraîneurs automatiques / Avances Automaticos



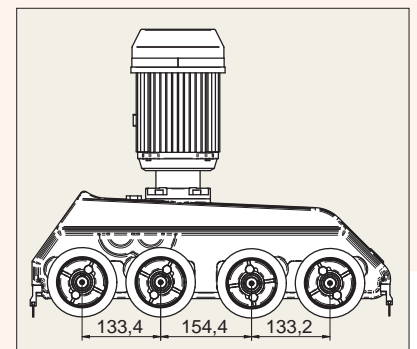
Steff 2034



PIN
SAFETY
SYSTEM Elastic Pin System

SPS
SAFETY
SYSTEM Slip Proof System

Steff 2038

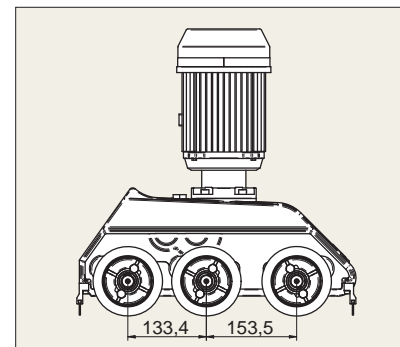


PIN
SAFETY
SYSTEM Elastic Pin System

SPS
SAFETY
SYSTEM Slip Proof System

Steff Supersonic 3

new

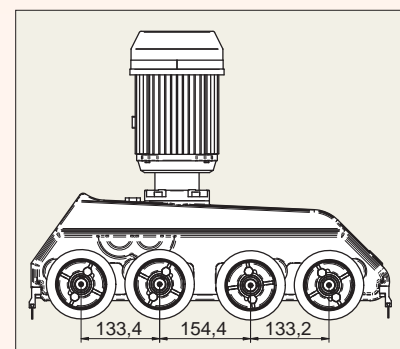


PIN
SAFETY
SYSTEM Elastic Pin System

SPS
SAFETY
SYSTEM Slip Proof System

Steff Supersonic 4

new



PIN
SAFETY
SYSTEM Elastic Pin System

SPS
SAFETY
SYSTEM Slip Proof System

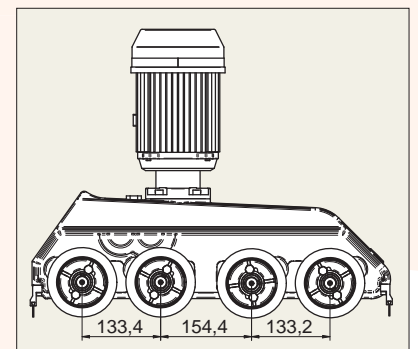
Steff 2038 CI



PIN
SAFETY
SYSTEM Elastic Pin System

SPS
SAFETY
SYSTEM Slip Proof System

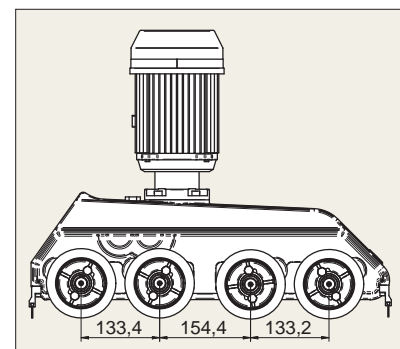
Steff 2044



PIN
SAFETY
SYSTEM Elastic Pin System

SPS
SAFETY
SYSTEM Slip Proof System

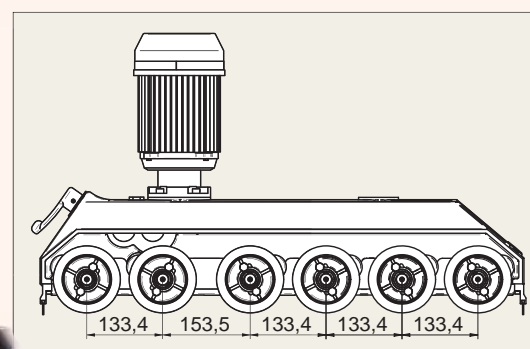
Steff 2048



PIN
SAFETY
SYSTEM Elastic Pin System

SPS
SAFETY
SYSTEM Slip Proof System

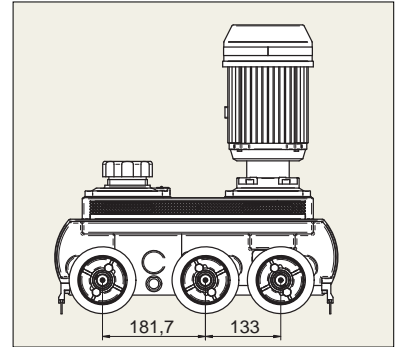
Steff 2068



PIN
SAFETY
SYSTEM Elastic Pin System

SPS
SAFETY
SYSTEM Slip Proof System

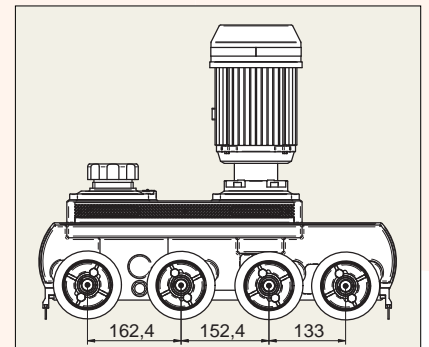
VarioSteff 3



PIN
SAFETY
SYSTEM Elastic Pin System

SPS
SAFETY
SYSTEM Slip Proof System

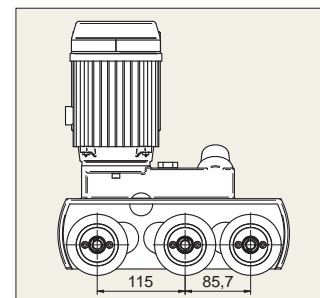
VarioSteff 4



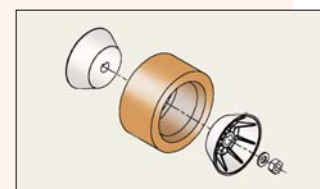
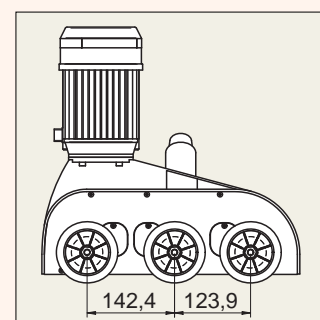
PIN
SAFETY
SYSTEM Elastic Pin System

SPS
SAFETY
SYSTEM Slip Proof System

Steff 2032



Steff 2033

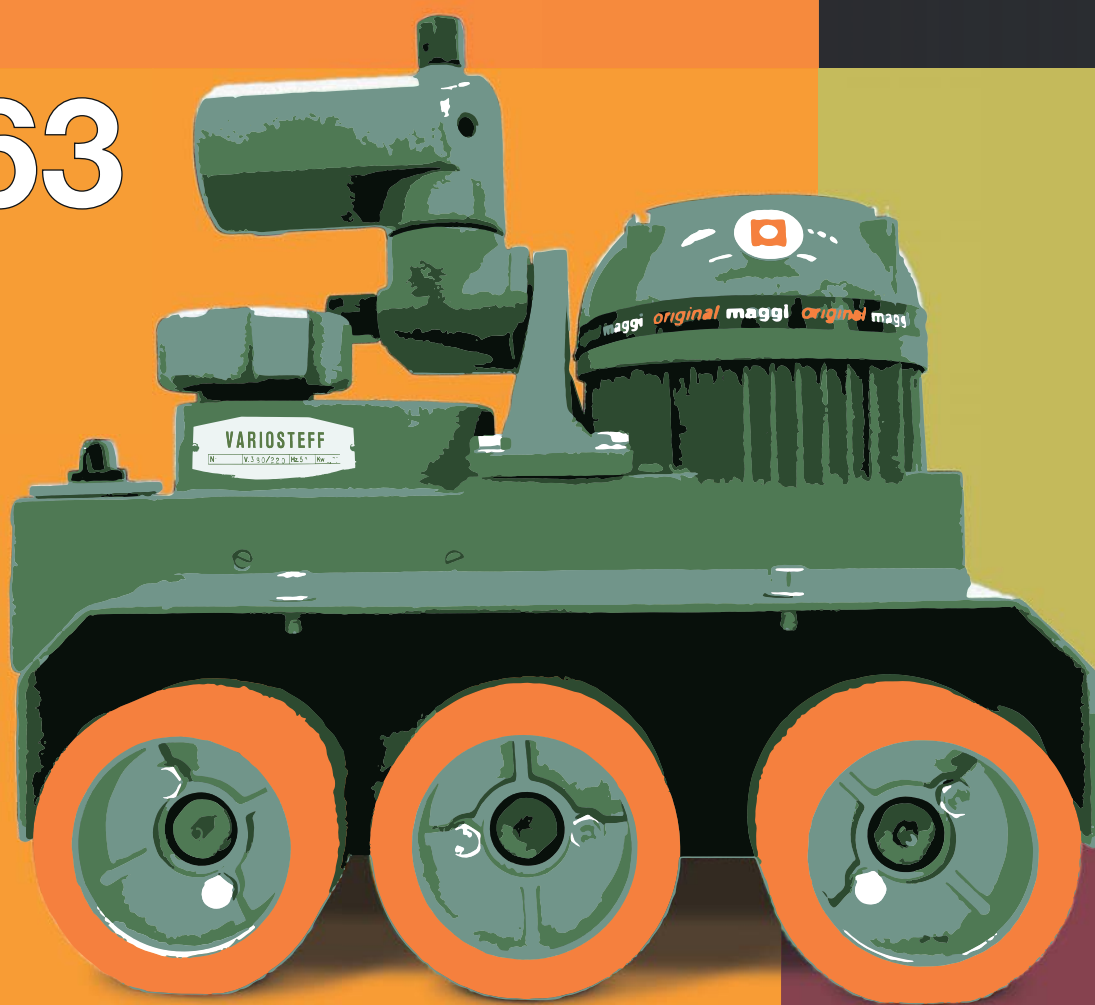


SHS SYSTEM Semi-Hub System

PIN SYSTEM Elastic Pin System

SPS SYSTEM Slip Proof System

1963



maggi

Steff

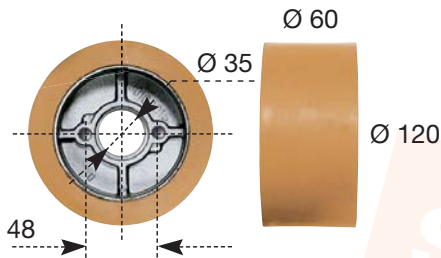
400.000 Power-Feeders manufactured.
Since 1963, the Feeders Experts.



2019

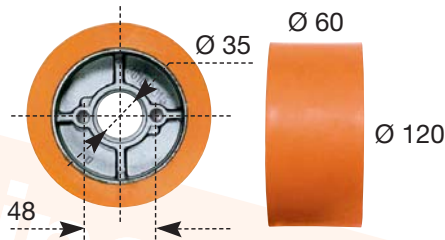
Accessori e ricambi

Accessories and spare parts / Optional et pièces détachées / Accesorios y repuestos



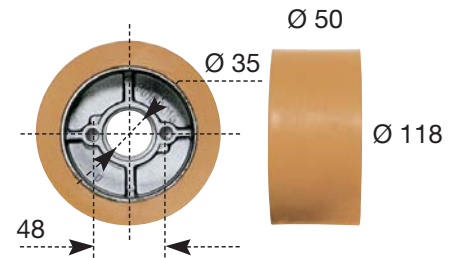
30100015 SHORE 50

feeder **GRIP** 758



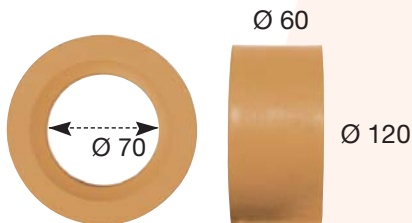
30102015 SHORE 40

feeder **GRIP** 363



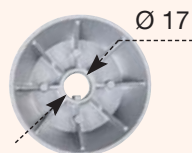
30100014 SHORE 65

STEFF 2033

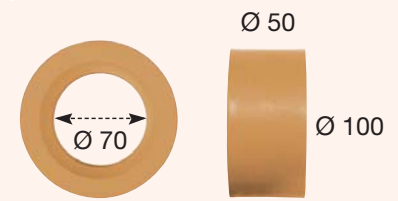


31301019 SHORE 50

feeder **GRIP** 758



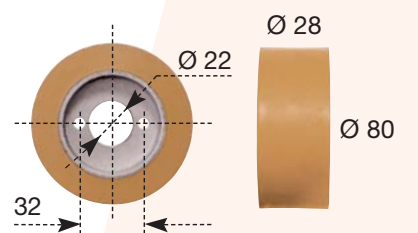
41300062
PER / FOR / POUR / PARA 31301019



31500062 SHORE 50

feeder **GRIP** 758

STEFF 2032 HOBBY



30000004 SHORE 50

feeder **GRIP** 758

STEFF 2038 CI

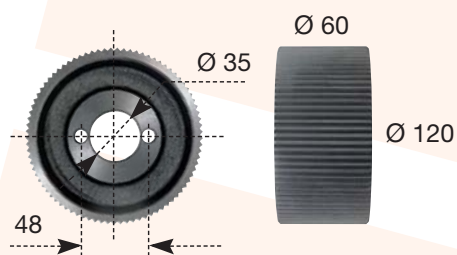


30200001 SHORE 45

feeder **GRIP** 758



41400011



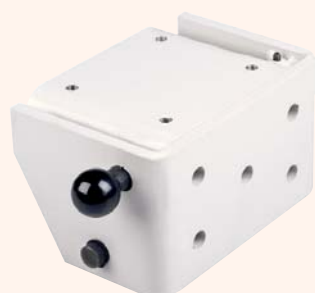
40102015

feeder **GRIP**
CAMPIONE DI ADERENZA
NUMBER ONE OF GRIP ADHERENCE
LE TOP EN ADHERENCE
CAMPEON EN ADHERENCIA

40
50
65
shore



STEFF 2034 / 2038 / 2044 / 2048
2068 / 2033 / V3 / V4 / SS3 / SS4



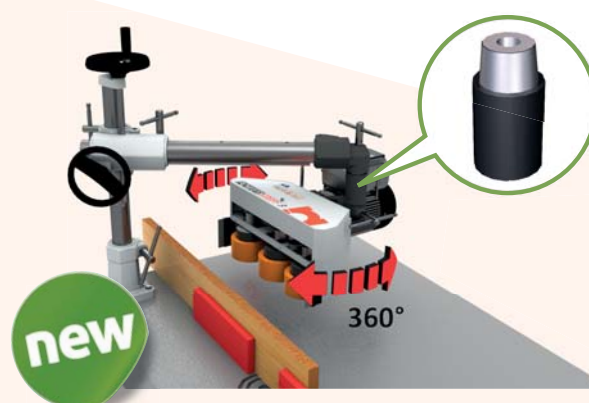
22100151

STEFF 2032



21401100

STEFF 2034 / 2038 / 2044 / 2048 / 2068
VARIO3 / VARIO4 / SS3 / SS4



43202020

STEFF 2068



211000100

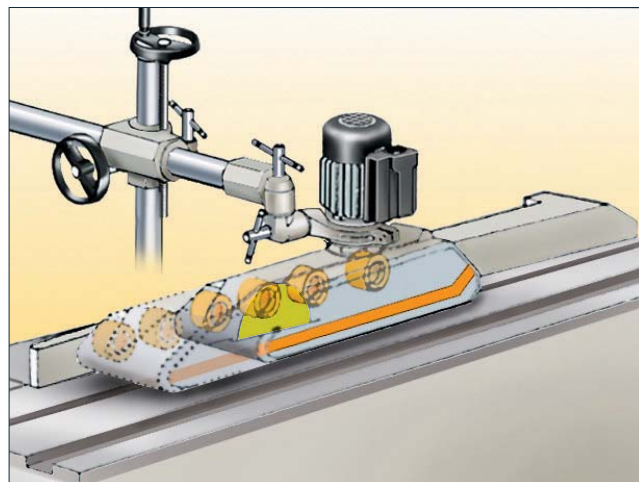
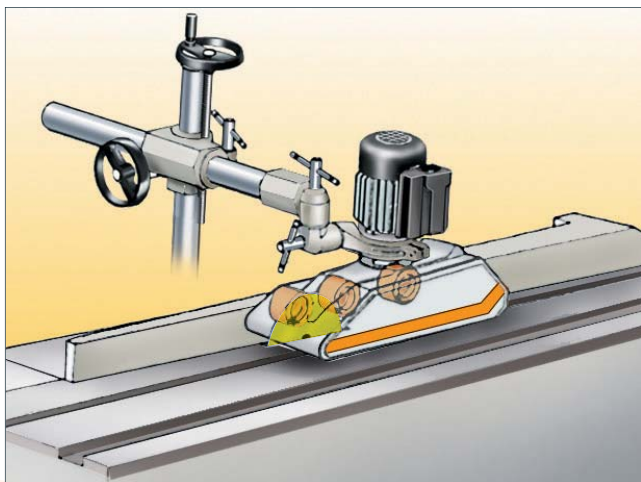
Universal Stand



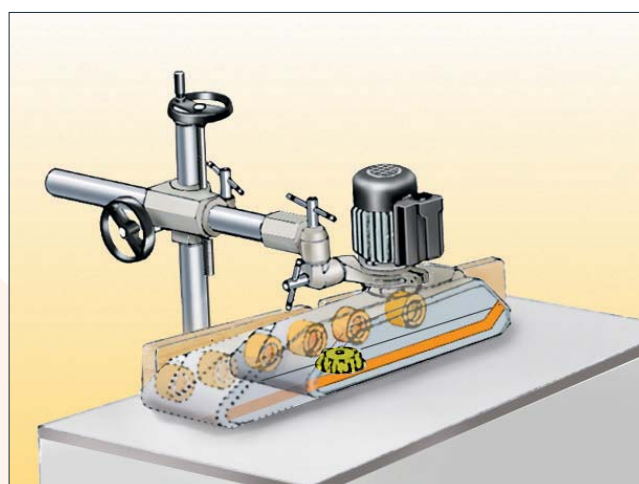
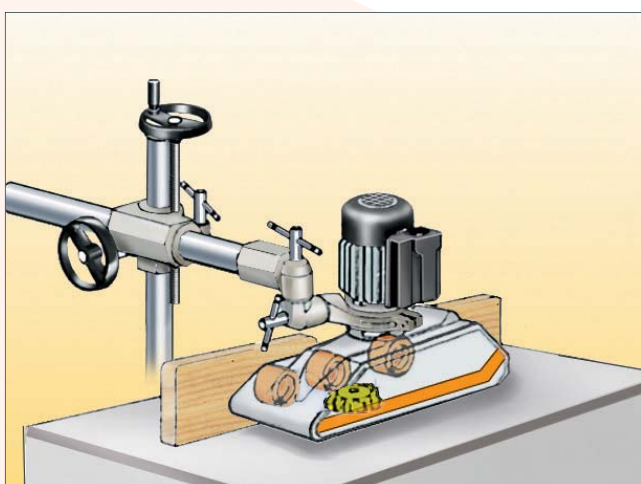
	Steff 2034 / 2038 / 2038 CI / 2044 / 2048 / 2068 / V3 / V4				Steff 2033	Steff 2032 Hobby
	STAND STANDARD	STAND 1050	STAND PLUS	STAND V		
	A 540 mm B 705 mm 35 kg	A 540 mm B 1050 mm 38,5 kg	A 540 mm B 1050 mm 40,5 kg	A 860 mm B 1050 mm 41 kg	A 525 mm B 655 mm -	A 460 mm B 660 mm -
	Ø 58 mm	Ø 58 mm	Ø 58 mm	Ø 58 mm	Ø 49 mm	Ø 40 mm
	Ø 58 mm	Ø 58 mm	Ø 58 mm	Ø 58 mm	Ø 49 mm	Ø 40 mm
	Ø 75 mm	Ø 75 mm	Ø 75 mm	Ø 75 mm		
	A 108 mm B 90 mm C 58 mm D 13 mm	A 108 mm B 90 mm C 58 mm D 13 mm	A 108 mm B 90 mm C 58 mm D 13 mm	A 108 mm B 90 mm C 58 mm D 13 mm	A 108 mm B 90 mm C 49 mm D 13 mm	A 63,8 mm B 63,8 mm C 40 mm D 9 mm
	800 x 330 x 330 mm 37 kg	1100 x 330 x 330 mm 41,5 kg	1100 x 330 x 330 mm 43,5 kg	110 x 330 x 330 mm 44 kg		

Esempi di lavorazione

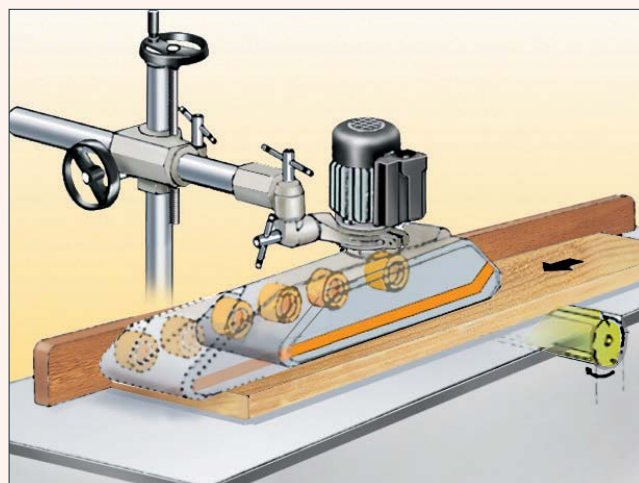
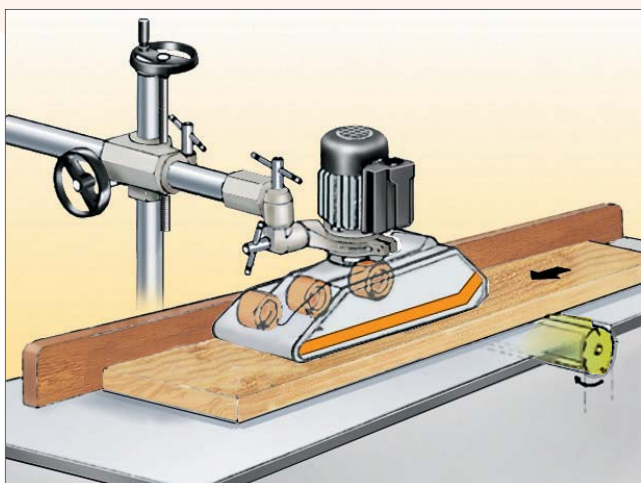
Working examples / Exemples de travail / Ejemplos de trabajo




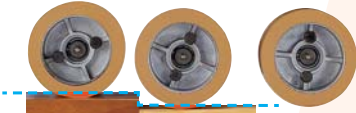

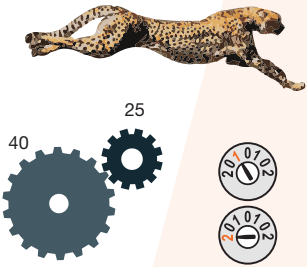
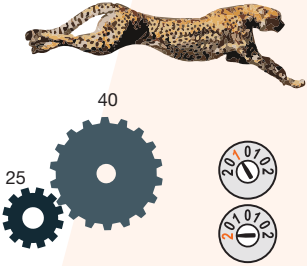


SEGA CIRCOLARE / CIRCULAR SAW / SCIE CIRCULAIRE / SIERRA CIRCULAR









TOUPIE / SPINDLE MOULDER / TOUPIE / TUPI







PIALLA A FILO / THICKNESSER PLANER / DEGAUCHISSEUSE / CEPILLADORA

	Steff 2034	Steff 2038	Steff 2044	Steff 2048	Steff 2038 CI
	3 Ø 120 x 60 mm	3 Ø 120 x 60 mm	4 Ø 120 x 60 mm	4 Ø 120 x 60 mm	
	20 mm	20 mm	20 mm	20 mm	20 mm
					3 17 x 21 x 830 mm
	N 4 4 m/min 8 m/min	N 8 I II 2 m/min 4 6,5 m/min 13	N 4 4 m/min 8 m/min	N 8 I II 2 m/min 4 6,5 m/min 13	N 8 I II 2 m/min 4 6,5 m/min 13
	11 m/min 22 m/min	I II 5,5 m/min 11 16,5 m/min 33	11 m/min 22 m/min	I II 5,5 m/min 11 16,5 m/min 33	I II 5,5 m/min 11 16,5 m/min 33
	HP 0,7 / 1 kW 0,52 / 0,75 1400 / 2800 / RPM ↔	HP 0,7 / 1 kW 0,52 / 0,75 1400 / 2800 / RPM ↔	HP 0,7 / 1 kW 0,52 / 0,75 1400 / 2800 / RPM ↔	HP 0,7 / 1 kW 0,52 / 0,75 1400 / 2800 / RPM ↔	HP 0,7 / 1 kW 0,52 / 0,75 1400 / 2800 / RPM ↔
	670 x 570 x 330 mm 31 kg	670 x 570 x 330 mm 32 kg	670 x 570 x 330 mm 35 kg	670 x 570 x 330 mm 36 kg	670 x 570 x 330 mm 32 kg

Steff 2068	VarioSteff 3	VarioSteff 4	Supersonic 3	Supersonic 4	Steff 2032 hobby	Steff 2033
6	3	4	3	4	3	3
Ø 120 x 60 mm	Ø 120 x 60 mm	Ø 120 x 60 mm	Ø 120 x 60 mm	Ø 120 x 60 mm	Ø 80 x 28 mm	Ø 120 x 60 mm
20 mm	20 mm	20 mm	20 mm	20 mm	15 mm	15 mm
N 8  2 m/min 4 6,5 m/min 13	VARIABLE VARIABLE  3 - 18 m/min	VARIABLE VARIABLE  3 - 18 m/min	VARIABLE VARIABLE  0,5 - 9,5 m/min	VARIABLE VARIABLE  0,5 - 9,5 m/min	N 4  4 m/min 8	N 8  3,2 m/min 12,5 6,3 m/min 25
I  5,5 m/min 11 16,5 m/min 33	 3 - 18 m/min	 3 - 18 m/min	 1,2 - 25 m/min	 1,2 - 25 m/min	 9 m/min 18	 8,3 m/min 32 16,7 m/min 63
HP 0,7 / 1 kW 0,52 / 0,75 1400 / 2800 / RPM 	HP 1 kW 0,75 1400 RPM 	HP 1 kW 0,75 1400 RPM 	HP 1 kW 0,75 140 - 3360 RPM 	HP 1 kW 0,75 140 - 3360 RPM 	HP 0,24 kW 0,18 1400 RPM 	HP 0,7 / 1 kW 0,52 / 0,75 1400 / 2800 / RPM 
1000 x 560 x 340 mm 46 kg	670 x 570 x 330 mm 33 kg	670 x 570 x 330 mm 37 kg	670 x 570 x 330 mm 32 kg	680 x 570 x 340 mm 36 kg	670 x 560 x 340 mm 36 kg	680 x 570 x 340 mm 50 kg



maggi service

-  +39 0571 635477
-  +39 335 284751
-  service@maggi-technology.com
-  service.maggi-technology.com



maggi technology
 Via delle Regioni, 297
 50053 CERTALDO (FI), ITALY
 +39 0571 63541
www.maggi-technology.com

