



F70

SALICE

Index

Slide installation	page 5
Technical information	page 8
Part number composition	page 10



F70 CLIPS / LOCKING DEVICES

Standard mount - 6 way adjustable	page 12
Vertical mount - 6 way adjustable	page 13
Narrow drawer clip	page 14
Adjustments	page 16



F70 SMOVE	Soft close for 12 mm (1/2") to 16 mm (5/8") drawer material thickness	page 22
------------------	--	---------



F70 PUSH	Push opening system for 12 mm (1/2") to 16 mm (5/8") drawer material thickness	page 26
-----------------	---	---------



ACCESSORIES

F70 Push synchronizer	page 30
Metal sockets	page 33
Drilling templates for drawers	page 34
Tilt adjustment lever	page 37
Side spacer	page 37
Screws and pozi driver	page 38

F70

F70 is a new generation of heavy duty drawer slides. Rated at 170 Lbs Static load capacity and 154 Lbs Dynamic load capacity*, they are suitable for all drawer opening applications. As is customary with all Salice products, F70 is available in either Soft Close or Push to Open versions:

- full extension with a synchronized mechanism
- with Smove decelerated closing (see page 22)
- with Push opening in handle-less furniture (see page 26)

Smove

Soft Close feature fully integrated in the runner system.



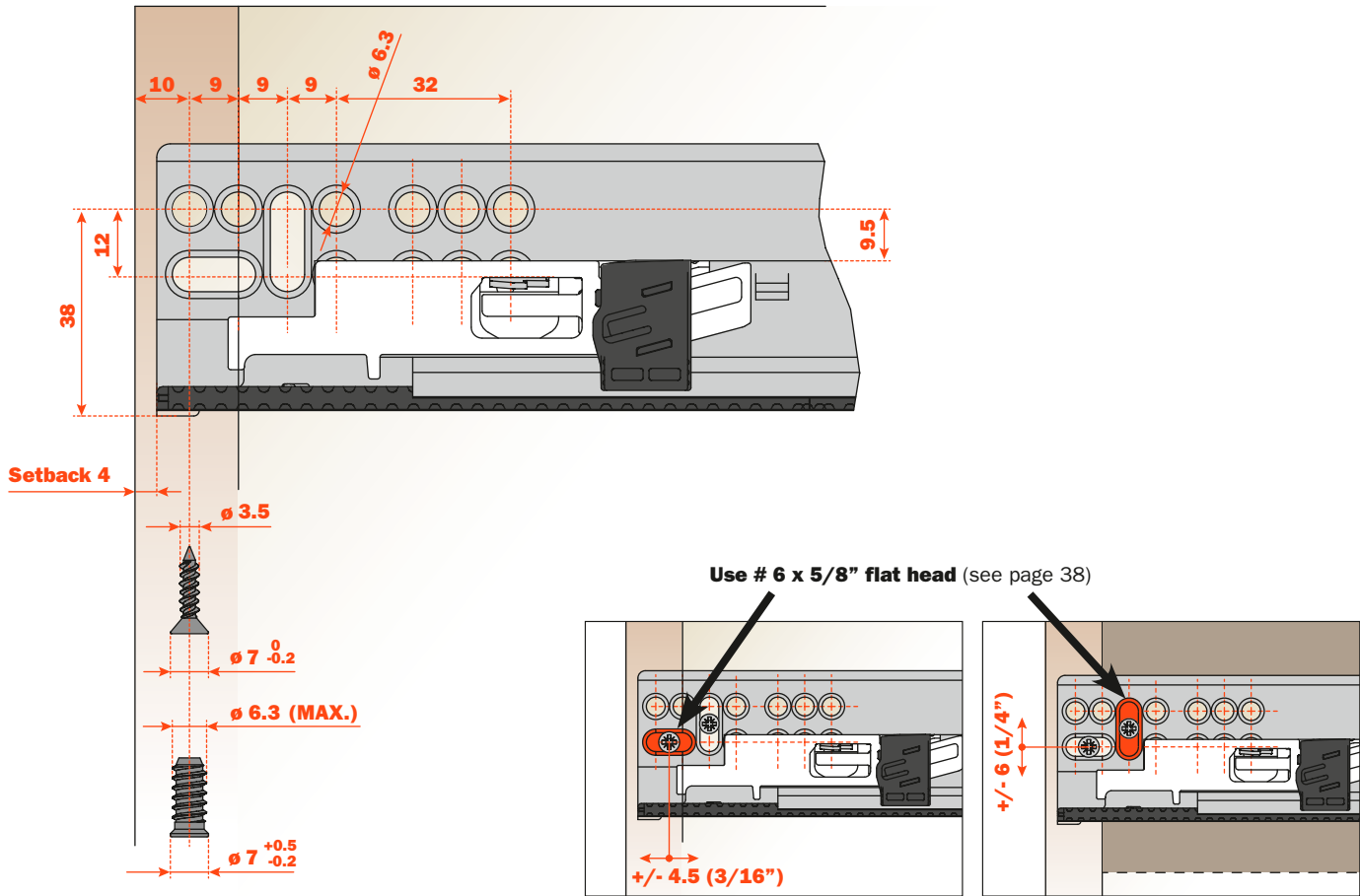
Push to Open feature fully integrated in the runner system.



* Per Ansi BHMA A156.9-2020 Grade 1 standard in a frameless cabinet using a 18" runner length and a recommended number of fixing screws.

Slide installation

Mounting full-extension runner on cabinet side

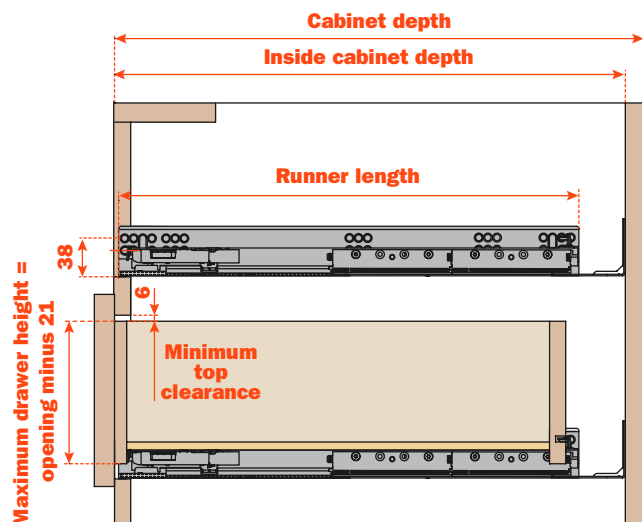


See **screws**, page 38.

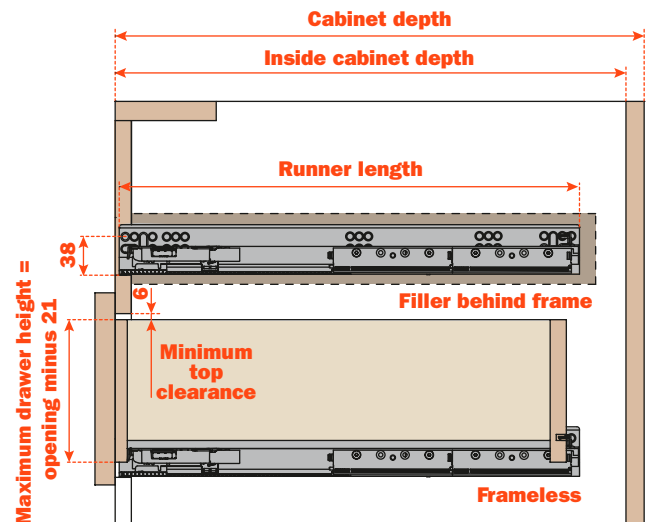
Elongated holes are for ± 4.5 (3/16") **depth adjustment** only. Additional screws must be used to secure the runner to the cabinet.

Elongated holes are for ± 6 (1/4") **vertical adjustment** only. Additional screws must be used to secure the runner to the cabinet. Only with frameless application or face frame application with filler.

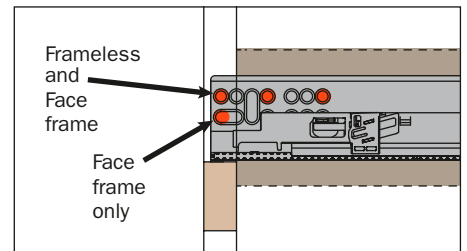
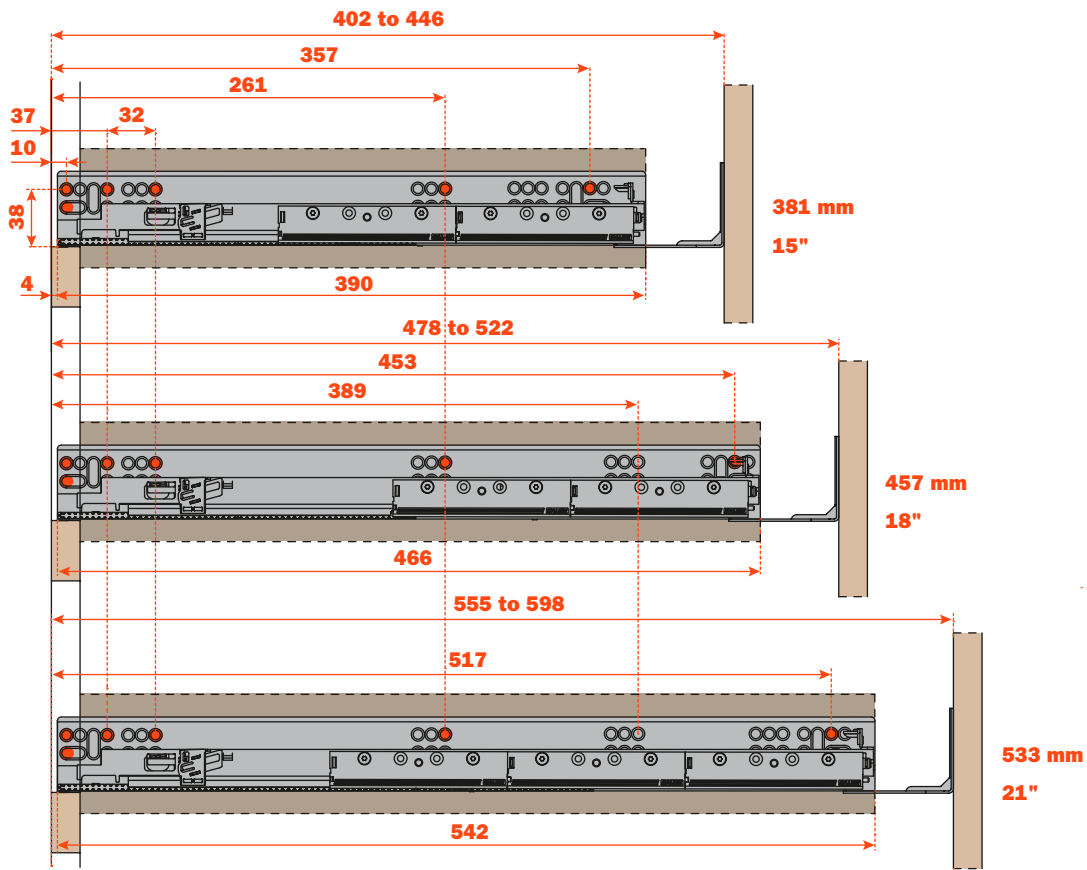
Drawer slide assembly Face frame application without filler behind frame



Drawer slide assembly Face frame application with filler behind frame Frameless application

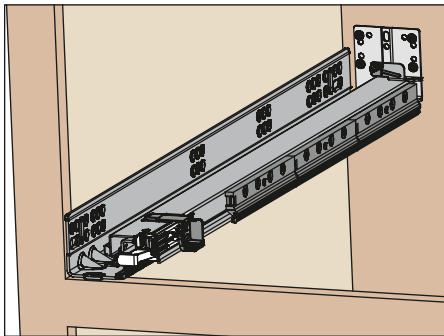


Drilling patterns - Standard face frame cabinet member

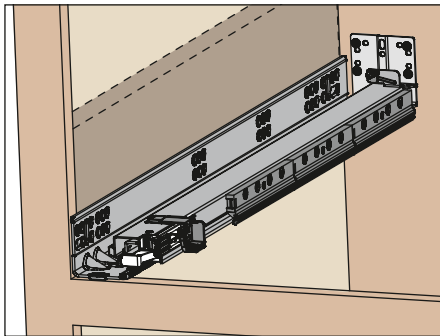


Note: orange dots indicate fixing screw locations and quantity to meet load ratings.

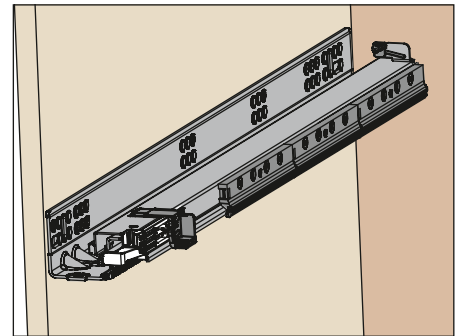
Mounting to the cabinet side - Runner lengths 381, 457 and 533 mm



Face frame application without filler behind frame



Face frame application with filler behind frame

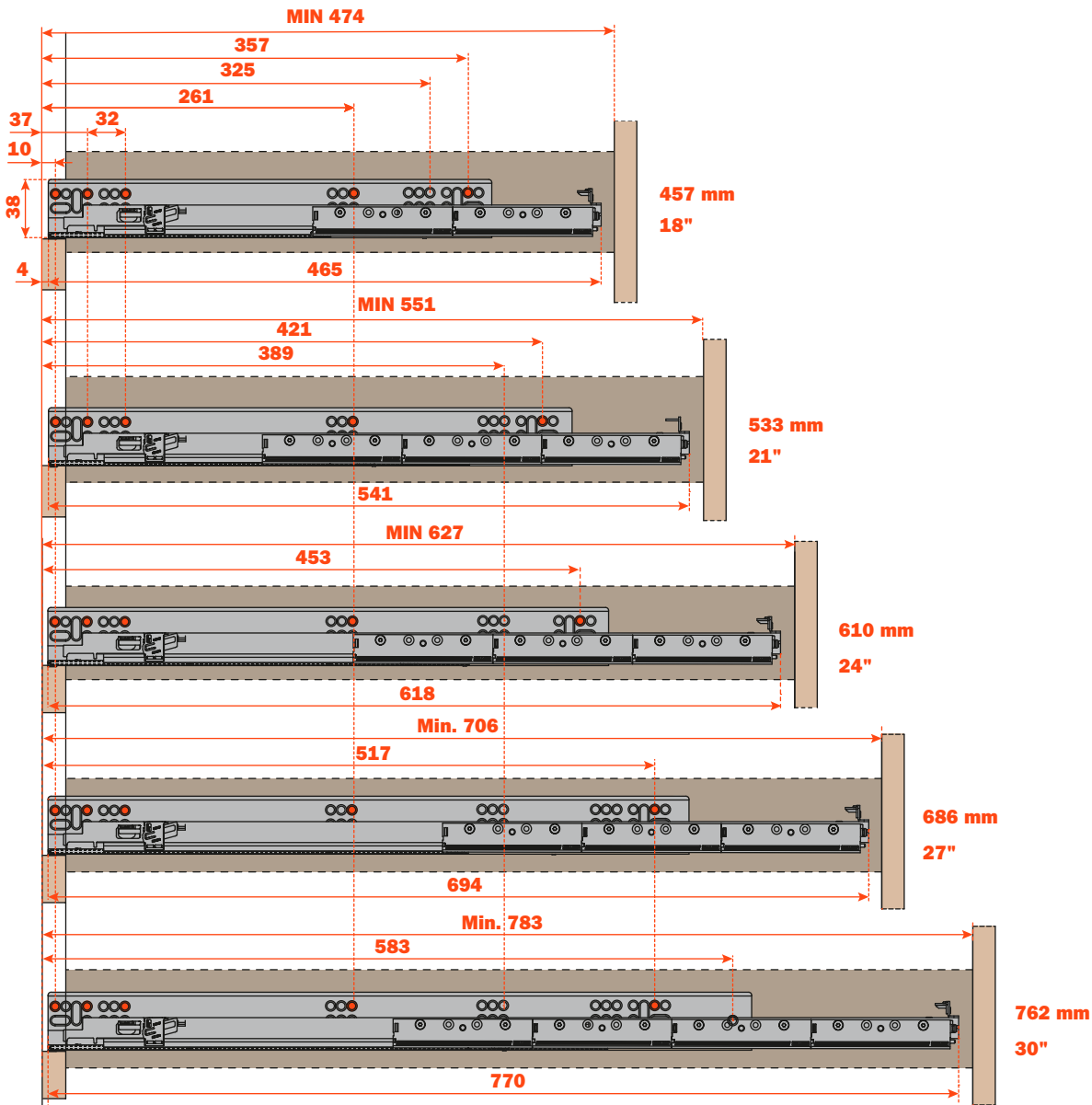


Frameless application

Use of rear sockets for any load above 75 Lbs is not recommended

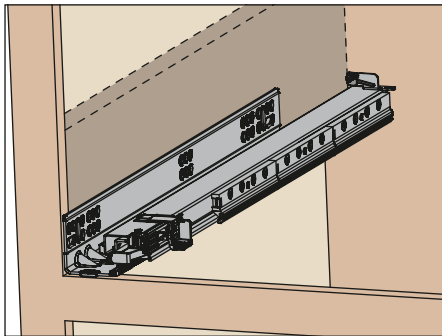
Sockets and brackets can be used for the correct alignment of the runners before fixing to the cabinet side.

Drilling patterns - Short version cabinet member

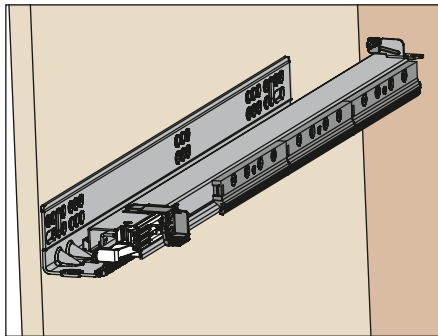


Note: orange dots indicate fixing screw locations and quantity to meet load ratings.

Mounting to the cabinet side - Runner lengths 457, 533, 610, 686 and 762 mm



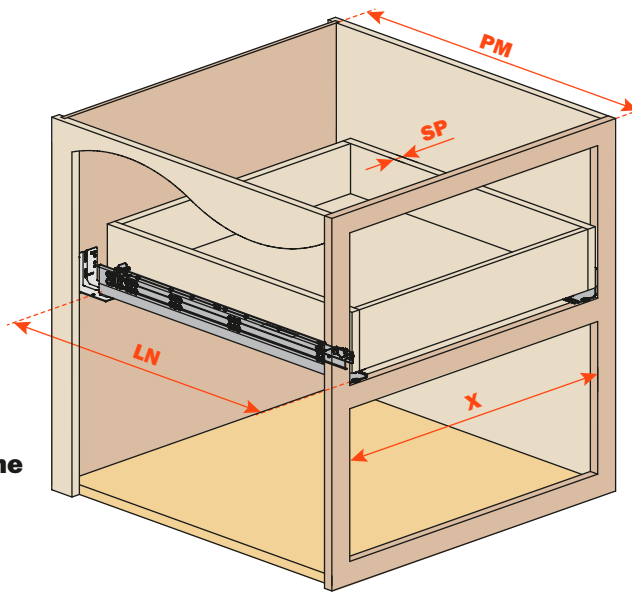
Face frame application with filler behind frame



Frameless application

Use of at least 4 fixing screws to the side is highly recommended. For these runner lengths rear brackets and sockets cannot be used. Cabinet sides must be blocked. On longer lengths load capacity may vary.

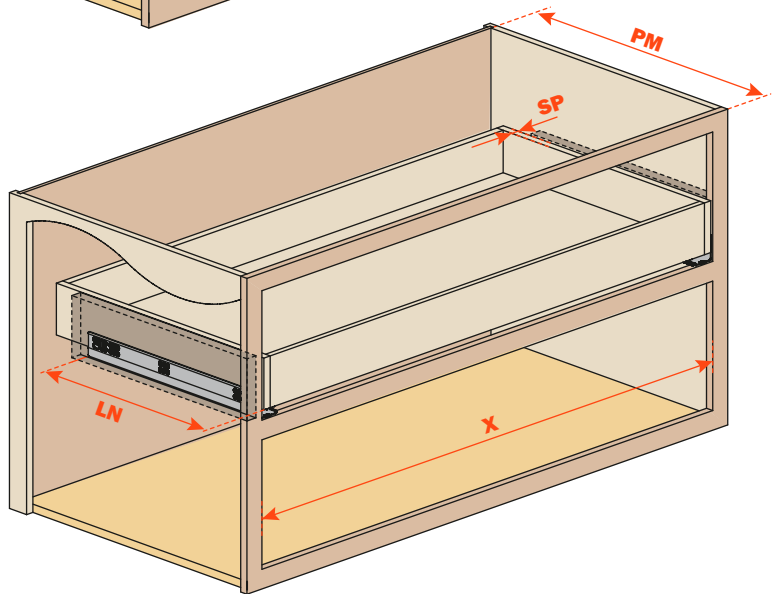
Technical information - Drawer settings



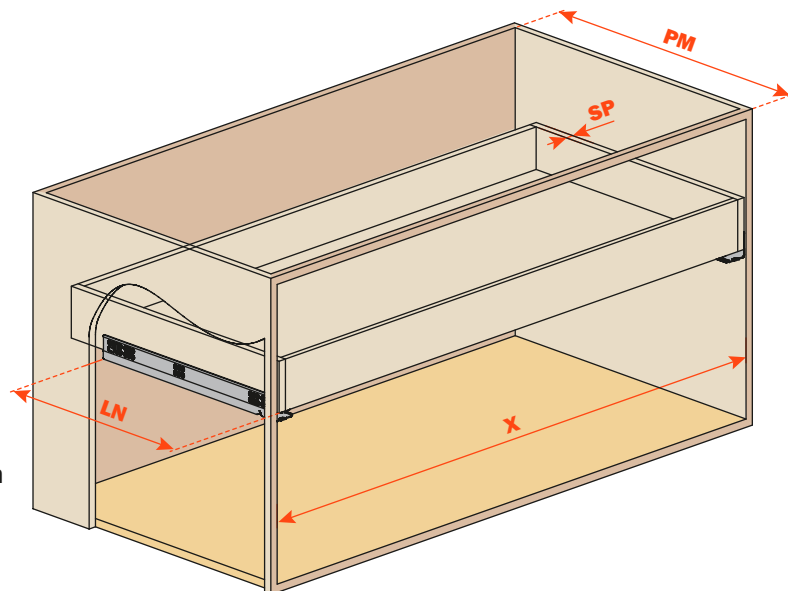
**Face frame application
without filler behind frame**

**DRAWER SETTING
ABBREVIATIONS:**

- SP** = Drawer side thickness
- LN** = Nominal runner length
- PM** = Cabinet depth
- X** = Cabinet internal width
- LC** = Drawer length



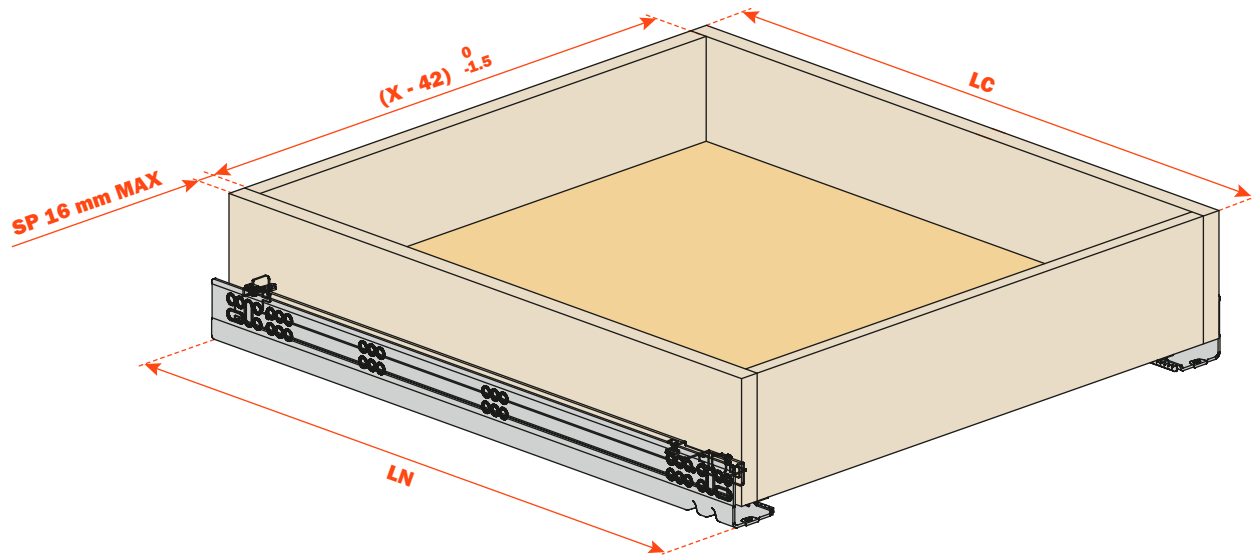
**Face frame application
with filler behind frame**



Frameless application

Drawer dimensions and drilling

Full-extension runner for 12 mm (1/2") to 16 mm (5/8") drawer material

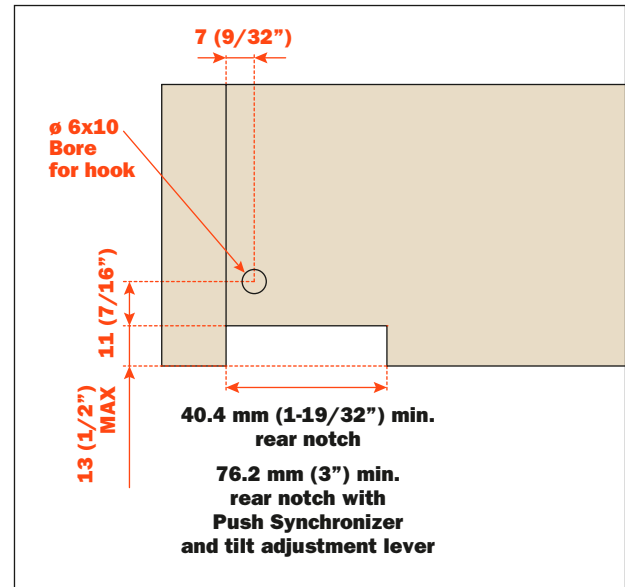


Rear hook

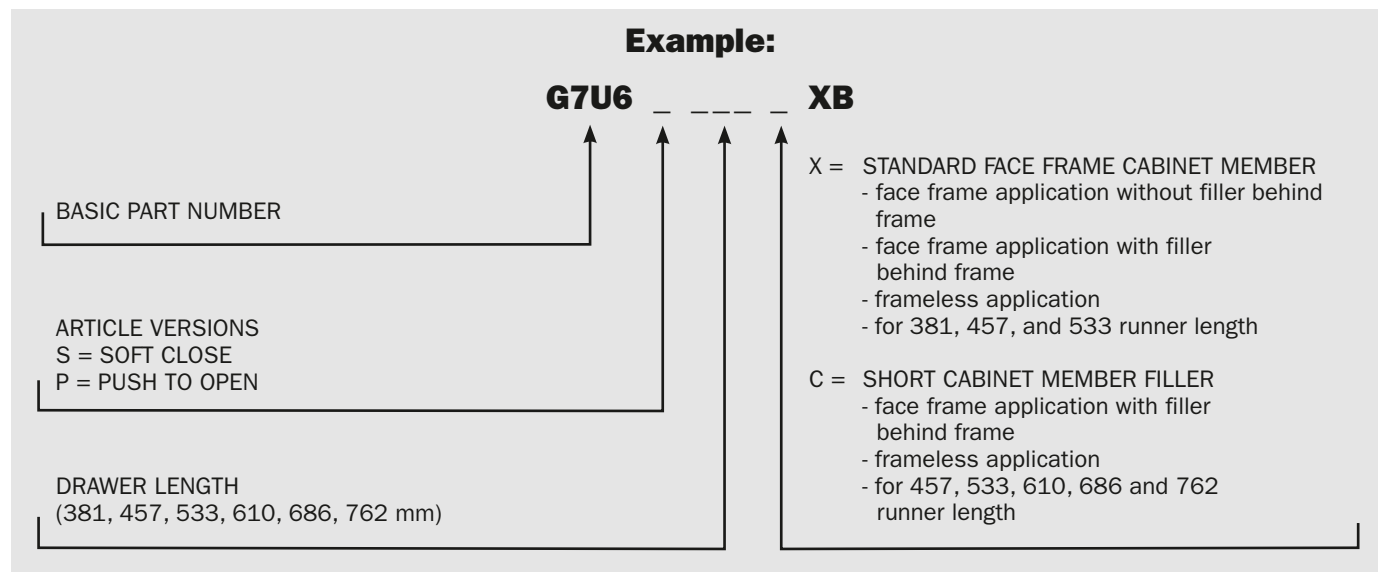


Use **SGD704UGXA drilling template** for rear hook, see page 34.

Drawer back preparation



F70 Push Synchronizer, see page 30.
AGLRXX3F tilt adjustment lever, see page 37.

Part number composition - Ordering chart

Industrial packaging

SMOVE	LENGTH	BOX	PALLET
G7U6S381XXB	381 mm	6 pcs right / 6 pcs left	384 pcs right / 384 pcs left
G7U6S457XXB	457 mm	6 pcs right / 6 pcs left	384 pcs right / 384 pcs left
G7U6S457CXB	457 mm	6 pcs right / 6 pcs left	384 pcs right / 384 pcs left
G7U6S533XXB	533 mm	6 pcs right / 6 pcs left	384 pcs right / 384 pcs left
G7U6S533CXB	533 mm	6 pcs right / 6 pcs left	384 pcs right / 384 pcs left
G7U6S610CXB	610 mm	4 pcs right / 4 pcs left	256 pcs right / 256 pcs left
G7U6S686CXB	686 mm	4 pcs right / 4 pcs left	256 pcs right / 256 pcs left
G7U6S762CXB	762 mm	4 pcs right / 4 pcs left	256 pcs right / 256 pcs left

PUSH	LENGTH	BOX	PALLET
G7U6P381XXB	381 mm	6 pcs right / 6 pcs left	384 pcs right / 384 pcs left
G7U6P457XXB	457 mm	6 pcs right / 6 pcs left	384 pcs right / 384 pcs left
G7U6P457CXB	457 mm	6 pcs right / 6 pcs left	384 pcs right / 384 pcs left
G7U6P533XXB	533 mm	6 pcs right / 6 pcs left	384 pcs right / 384 pcs left
G7U6P533CXB	533 mm	6 pcs right / 6 pcs left	384 pcs right / 384 pcs left
G7U6P610CXB	610 mm	4 pcs right / 4 pcs left	256 pcs right / 256 pcs left
G7U6P686CXB	686 mm	4 pcs right / 4 pcs left	256 pcs right / 256 pcs left
G7U6P762CXB	762 mm	4 pcs right / 4 pcs left	256 pcs right / 256 pcs left

CLIPS - LOCKING DEVICES	BOX	PALLET
AFCGX3B	100 pcs right / 100 pcs left	2400 pcs right / 2400 pcs left
AFCGX43B	100 pcs right / 100 pcs left	2400 pcs right / 2400 pcs left
AFCEX43B	100 pcs right / 100 pcs left	2400 pcs right / 2400 pcs left

SOCKETS	BOX	PALLET
AGSK7C5B	100 pcs	4000 pcs
AGSK7R5B	100 pcs	4000 pcs

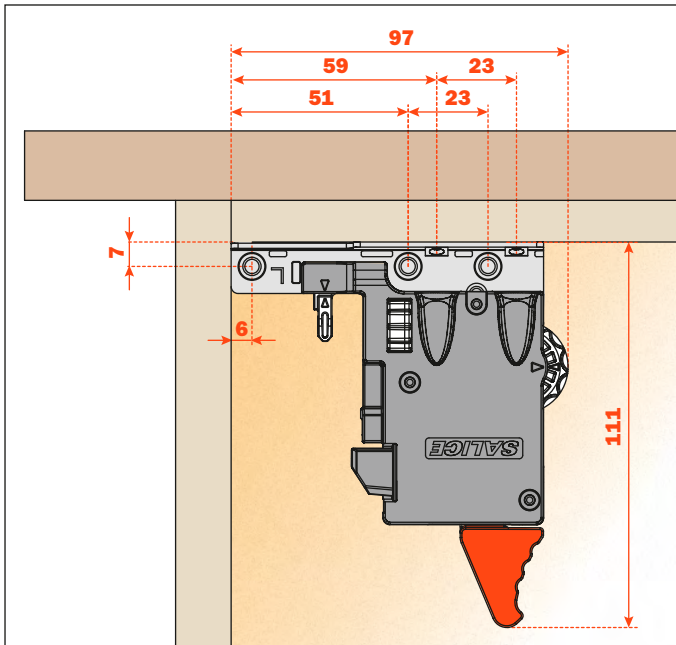
TILT ADJUSTMENT LEVER	BOX	PALLET
AGLRX3F	12 pcs right / 12 pcs left	2400 pcs right / 2400 pcs left



F70 Clips - Locking devices

F70 Locking devices - standard mount - side and depth adjustments

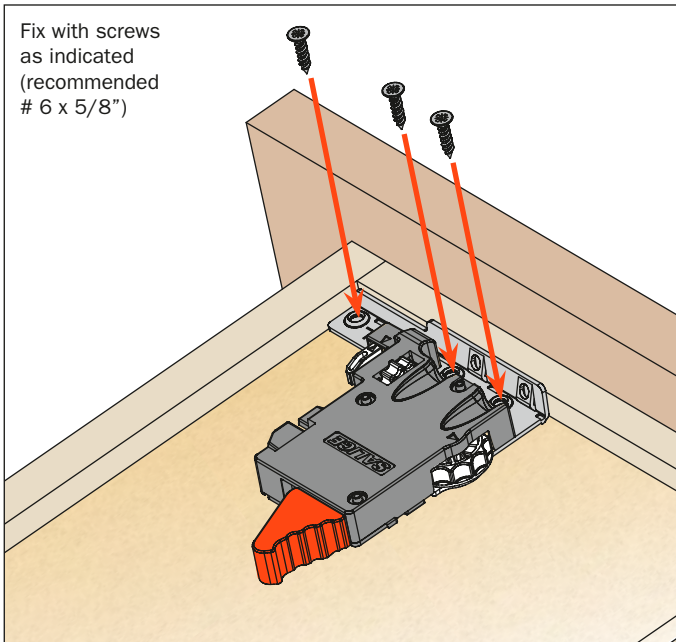
- Dual metal/plastic construction
- For all F70 runner versions
- Tool free lateral and depth adjustments
- Pre-drilling recommended \varnothing 2.5 mm (3/32")



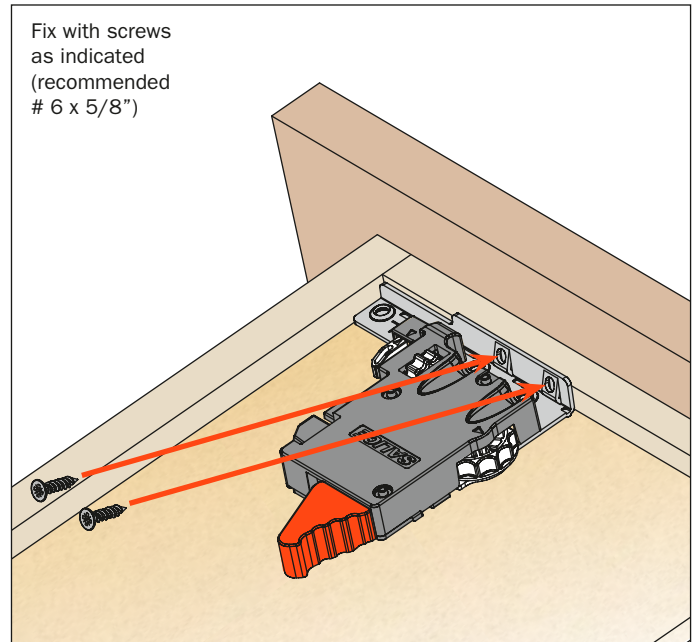
AFCGXX3B

PACKAGING
2 boxes = 100 pcs right and 100 pcs left

Assembly to the bottom



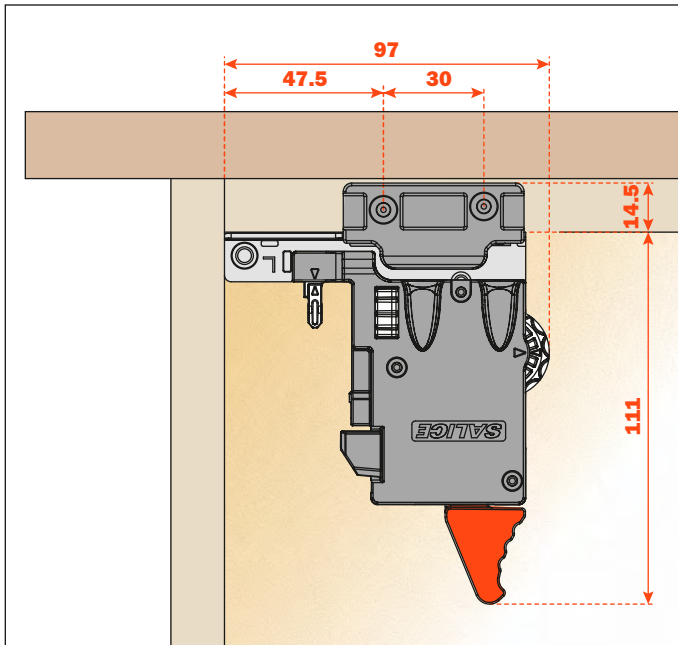
Assembly to the sub-front drawer member



Use **drilling template** for accurate installation of the clips, see page 35.

F70 Locking devices - Vertical mount - side and depth adjustments

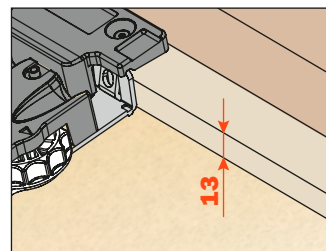
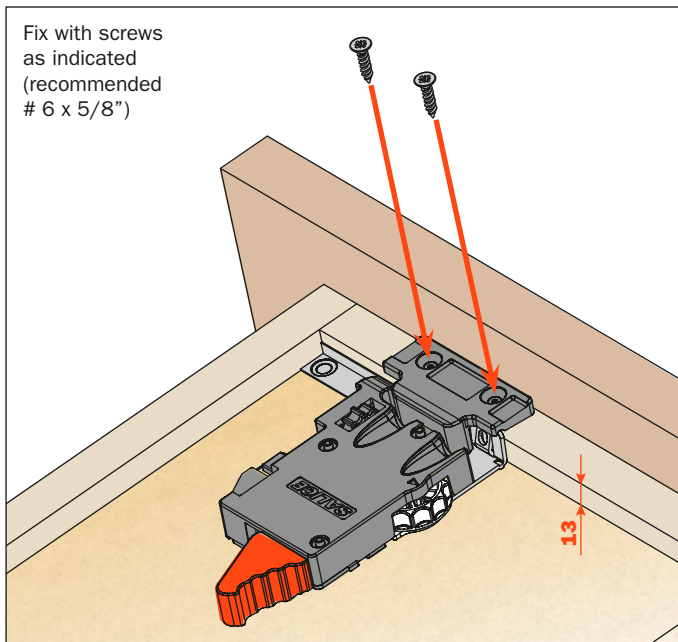
- Dual metal/plastic construction
- For all F70 runner versions
- Tool free lateral and depth adjustments
- Height of the sub front must be 13 mm (1/2")
- Pre-drilling recommended \varnothing 2.5 mm (3/32")



AFCGX43B

PACKAGING
2 boxes = 100 pcs right and 100 pcs left

Assembly to the sub-front drawer member

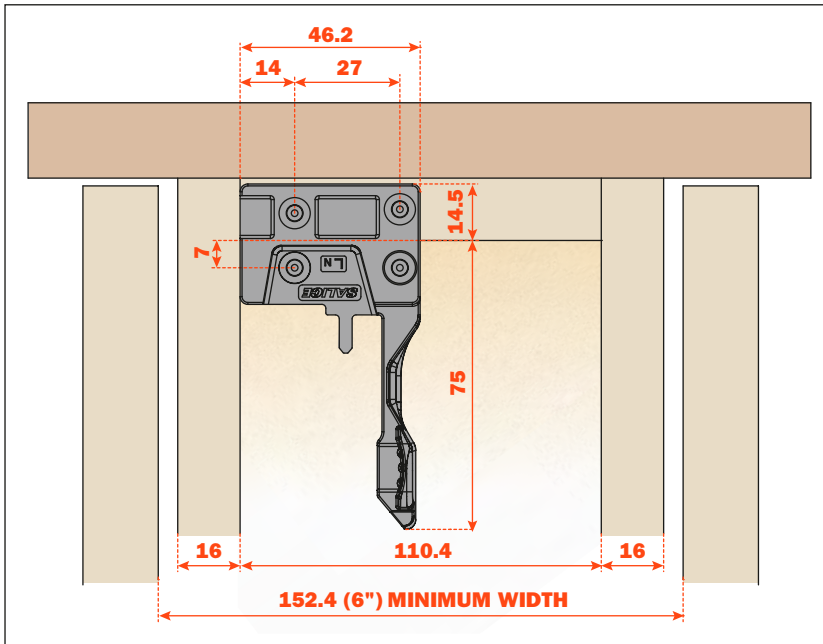


Use **drilling template** for accurate installation of the clips, see page 35.

Height of the sub front must be 13 mm (1/2").

F70 Locking devices - Narrow drawer clip

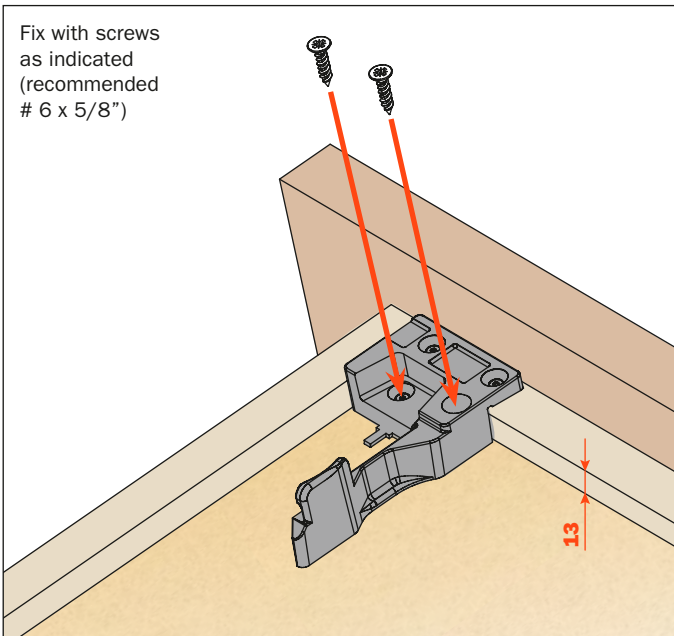
- For use with narrow drawers
- For all F70 runner versions
- Height of the sub front must be 13 mm (1/2")



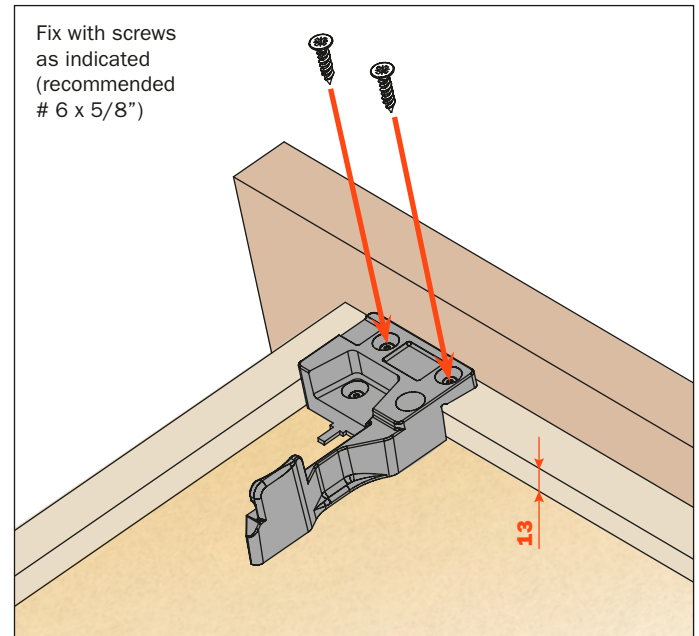
AFCEX43B

PACKAGING
2 boxes = 100 pcs right and 100 pcs left

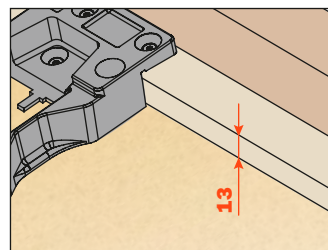
Assembly to the bottom



Assembly under the sub-front drawer member



Use **drilling template** for accurate installation of the clips, see page 36.



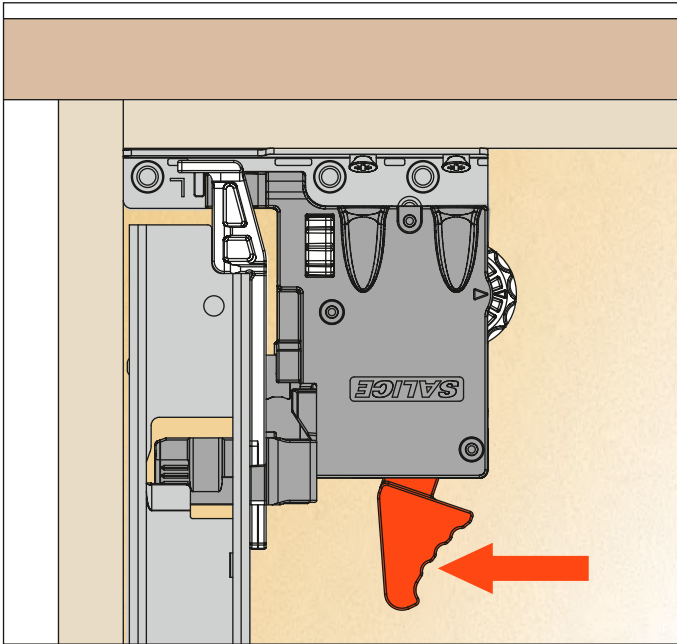
Use **drilling template** for accurate installation of the clips, see page 36.

Height of the sub front must be 13 mm (1/2").

Drawer removal

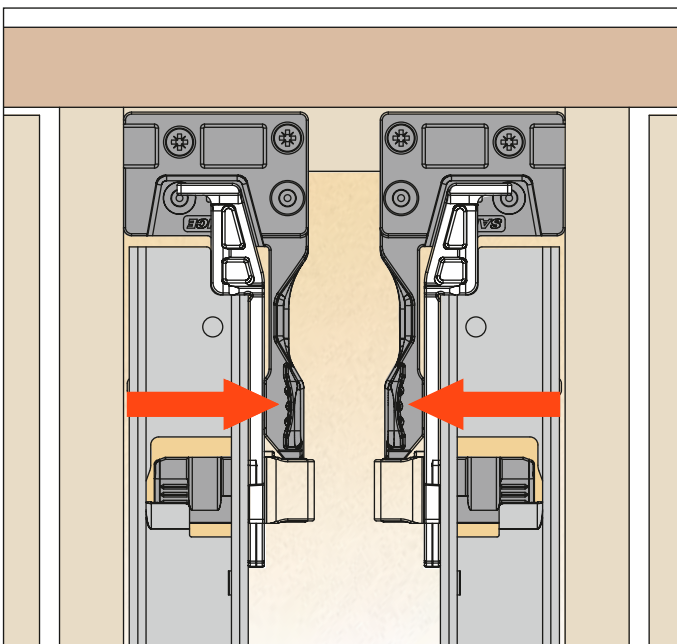
Standard and vertical mount

Position hands under the front of the drawer and press on the orange levers, as indicated in the drawing, sliding the drawer out of the cabinet.



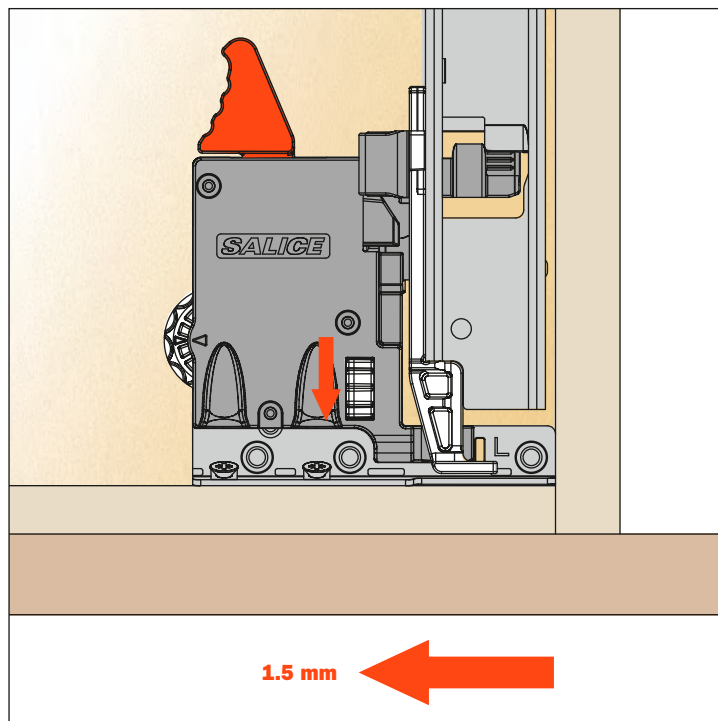
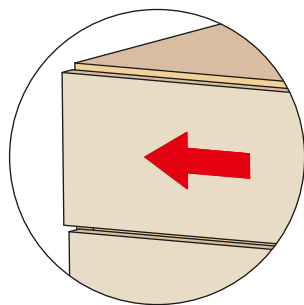
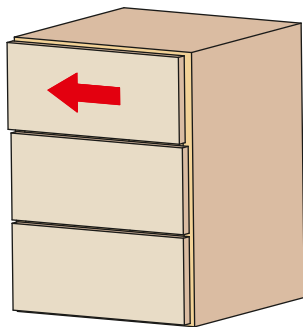
Narrow drawer clip

Position hands under the front of the drawer and press on the black levers, as indicated in the drawing, sliding the drawer out of the cabinet.

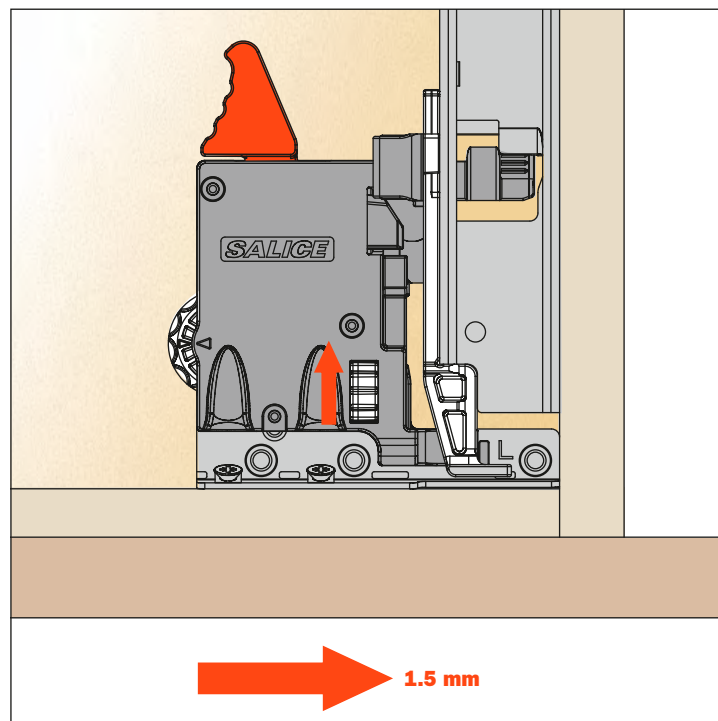
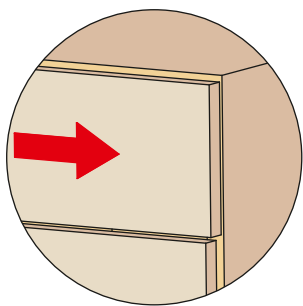
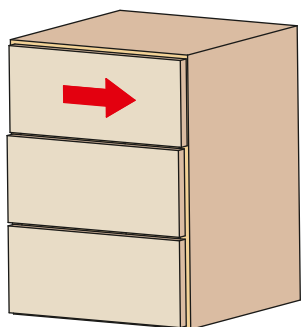


Side adjustment +/- 1.5 mm

Rotate the white wheel (see drawing) towards the front of the drawer to adjust left.
This operation is tool free.



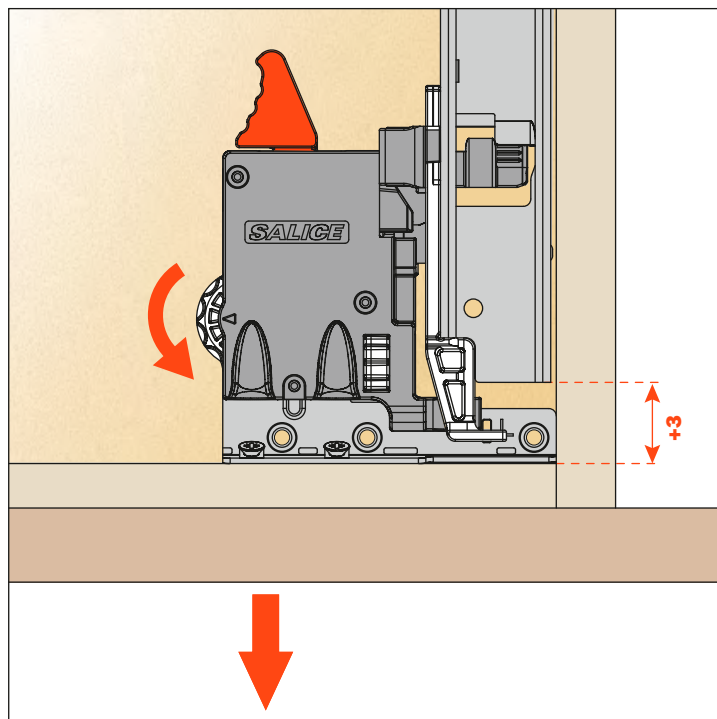
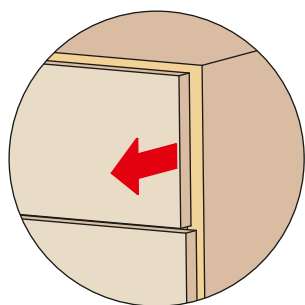
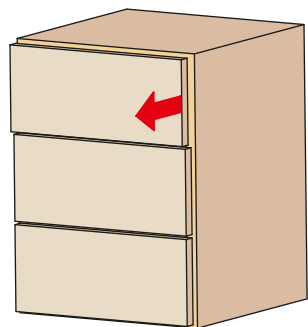
Rotate the white wheel (see drawing) towards the back of the drawer to adjust right.
This operation is tool free.



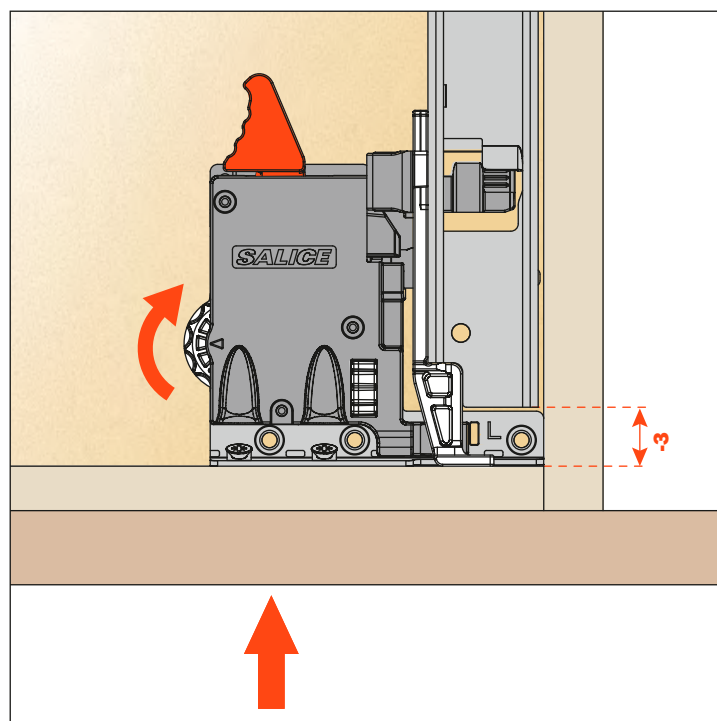
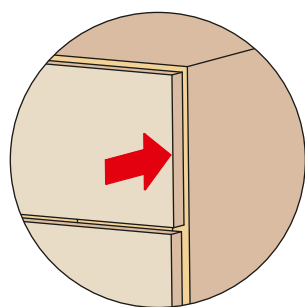
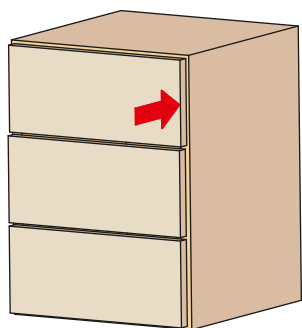
For side adjustment, it is recommended that both the adjusters on the clips are in the same direction, in order to maintain the correct alignment and function of the runners.

Depth adjustment +/- 3 mm

Rotate the white wheel (see drawing) towards the outside of the drawer to increase the gap between the front and the side. This operation is tool free.

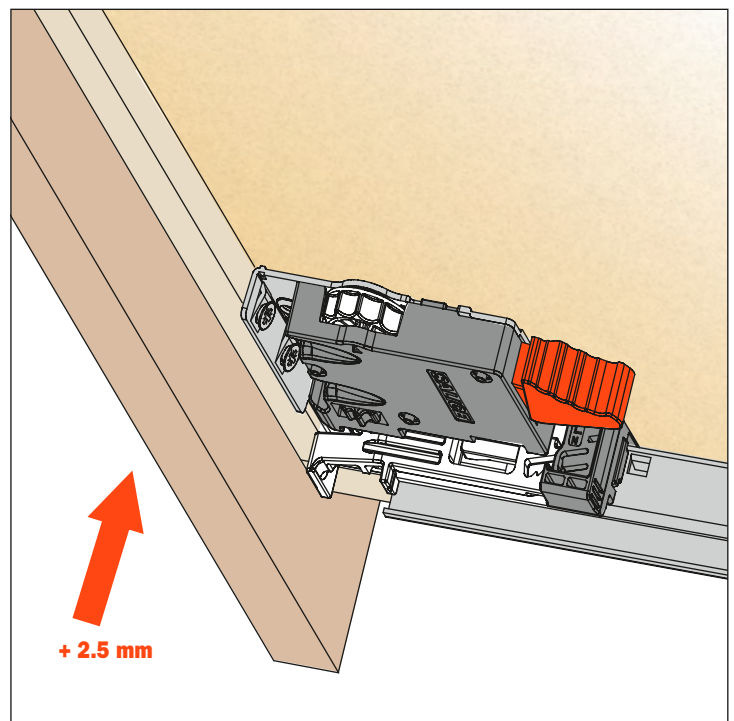
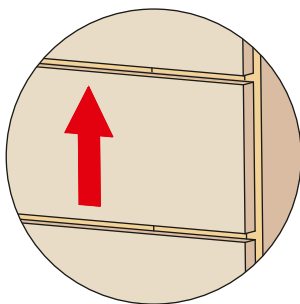
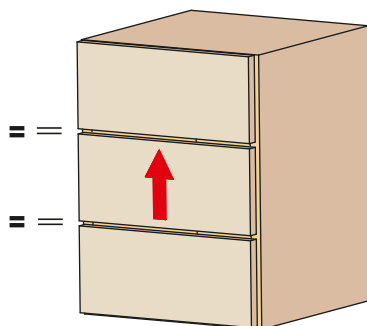
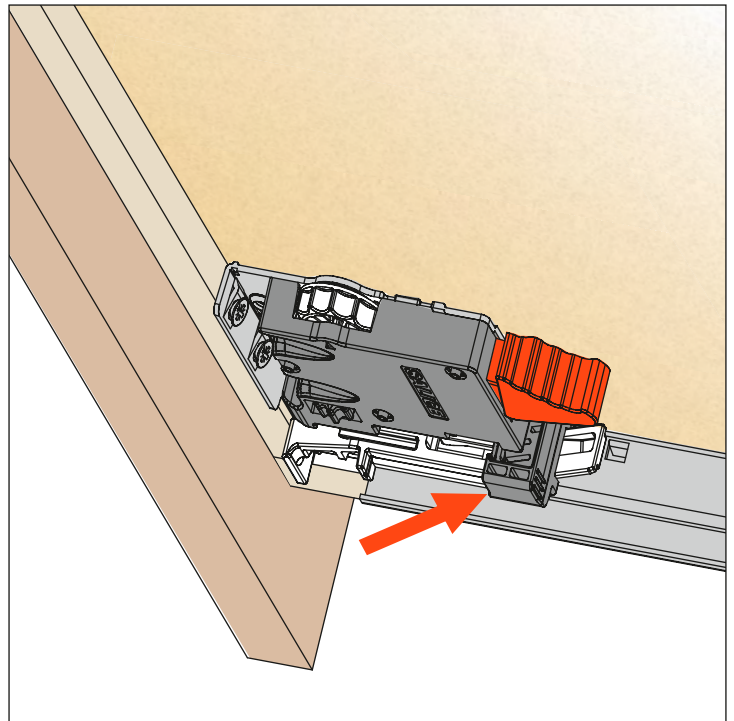
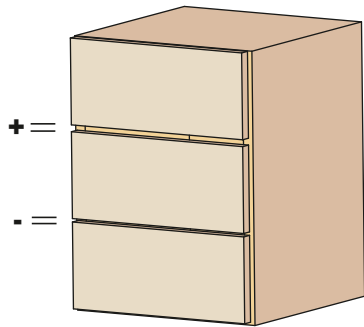


Rotate the white wheel (see drawing) towards the inside of the drawer to reduce the gap between the front and the side. This operation is tool free.



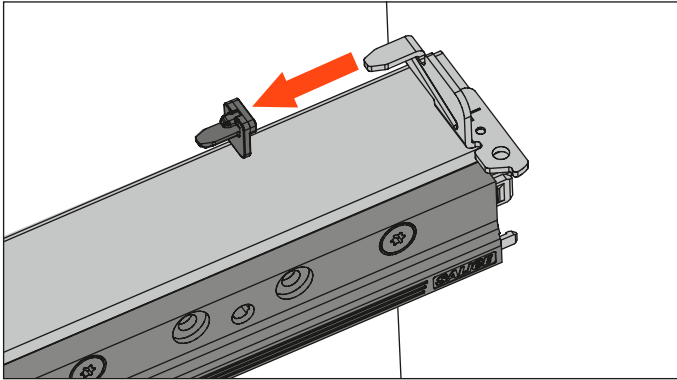
Height adjustment + 2.5 mm

Press the lever towards the back of the drawer to achieve the height adjustment.
This operation is tool free.

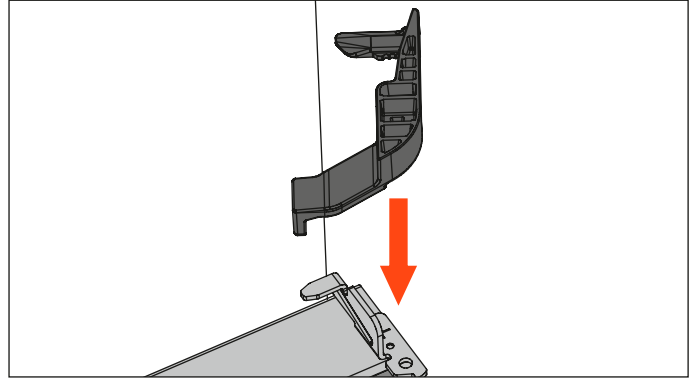


Assembly of tilt adjustment levers (optional)

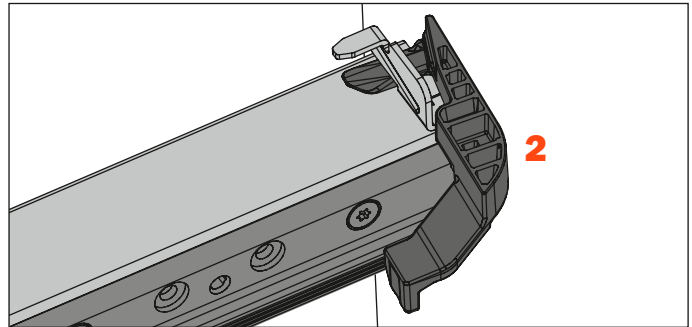
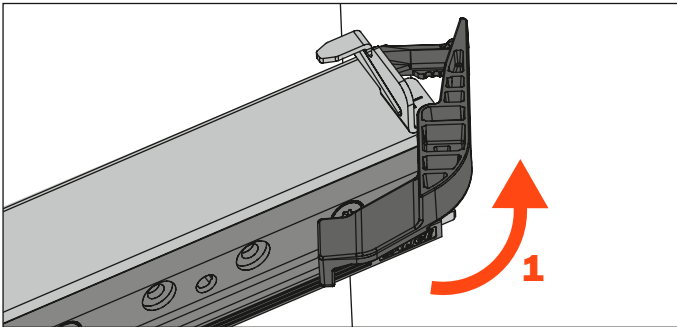
Pull out the drawer and remove the plastic insert, both right and left.



Insert the tilt adjustment levers, both right and left.



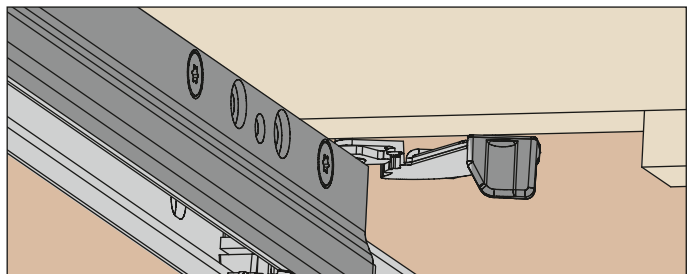
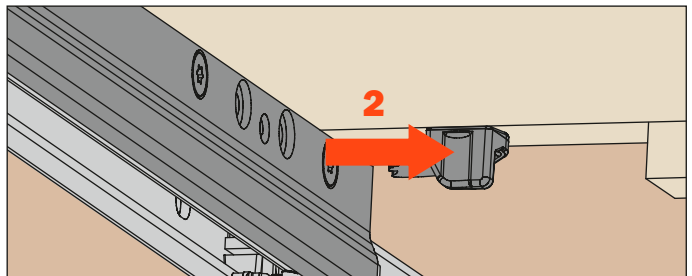
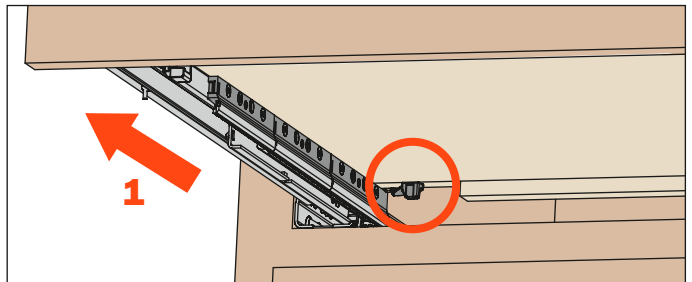
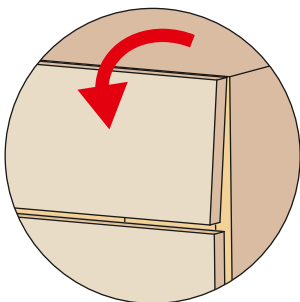
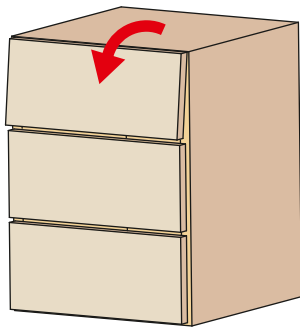
Rotate the lever to adjust.



Tilt adjustment + 3 mm

Open the drawer (1) and press the lever towards the back of the cabinet (2) to achieve the adjustment.

Maximum 3 mm (1/8") rise of drawer back (tool free).



Drawer back preparation, see page 9.
AGLRXX3F tilt adjustment lever, see page 37.



F70 Smove

F70 Smove - Full extension runner for 12 mm (1/2") to 16 mm (5/8") drawer material

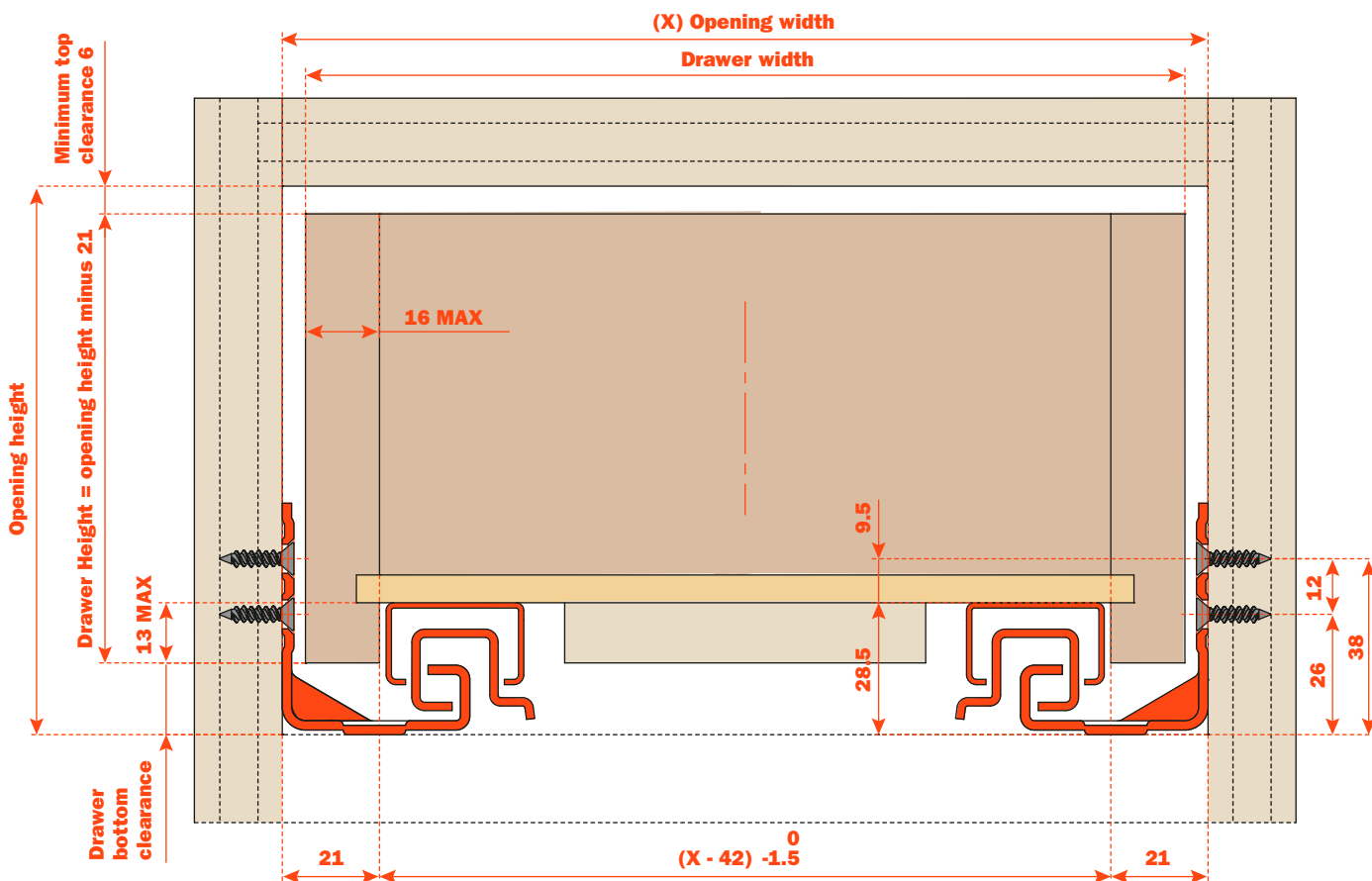


SMOVE: SOFT CLOSE MECHANISM FULLY INTEGRATED INTO THE DRAWER RUNNER

Product features

- 170 Lbs Static load capacity
- Full extension with a synchronized mechanism
- Available in 15" to 30" length
- Enhanced smooth soft closing action
- Elongated holes for depth and height adjustment
- Adjustable clips allow for easy drawer insertion and removal; special clip for narrow drawers
- Tool free height adjustments + 2.5 mm
- Tool free depth adjustments +/- 3 mm
- Tool free side adjustments +/- 1.5 mm
- Optional tool free tilt adjustment +3 mm
- 12 mm (1/2") to 16 mm (5/8") drawer thickness
- Compatible with Lineabox drawers
- Finish: bright zinc-plated
- 100% Made in Italy

Dimensions

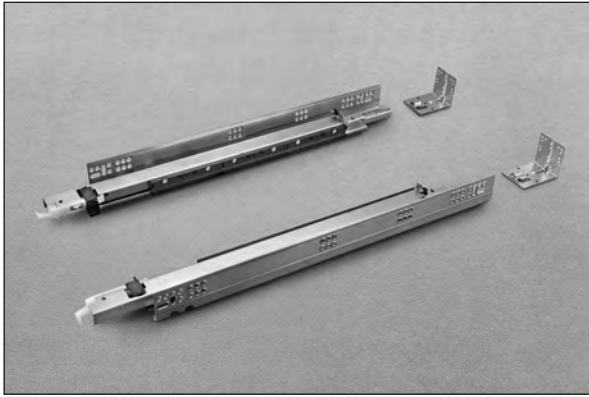


CALCULATION FORMULA FOR OUTSIDE DRAWER WIDTH

For drawer side thickness of	16 mm (5/8")	15 mm (19/32")	14 mm (9/16")	13 mm (1/2")	12 mm (15/32")
Deduct from inside cabinet width	10 mm (3/8")	12 mm (7/16")	14 mm (9/16")	16 mm (5/8")	18 mm (21/32")

Example: For a 15" inside cabinet width and a 5/8" thick drawer, subtract 3/8" from the inside width of 15" = 14-5/8" drawer width.

Note: Drawer side material thickness may vary. Make sure you take precise measurements when calculating outside drawer width using the table below. Inside drawer width must equal opening width minus 42 (1 21/32") for F70 runners to align and function optimally.



381X - 457X - 533X
Face frame assembly with metal socket
Blocked out face frame cabinets or frameless.
 See page 6.

Please note that any load over 75 LBS requires a filler in addition to rear sockets.

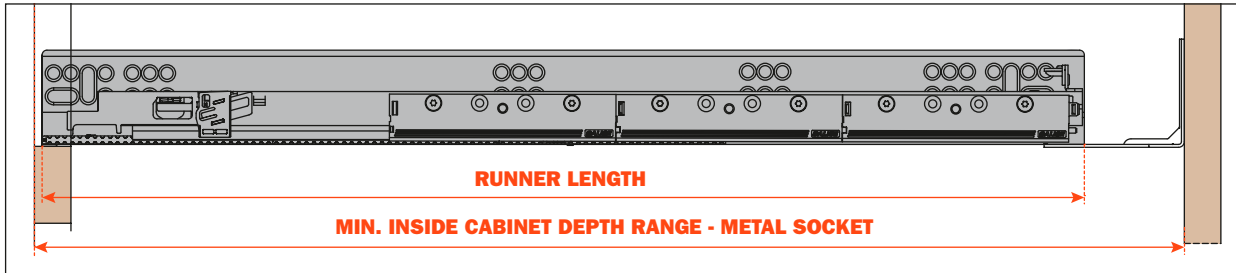
AFCGX3B
 (right and left)



AFCGX43B
 (right and left)



AFCEX43B
 (right and left)



AGSK7C5B



AGSK7R5B



PART NUMBER	DRAWER LENGTH (LC)	RUNNER LENGTH (LN)	MINIMUM INSIDE CABINET DEPTH METAL SOCKET	MAXIMUM INSIDE CABINET DEPTH METAL SOCKET	MINIMUM INSIDE CABINET DEPTH
G7U6S381XXB	381 mm (15")	390 mm	402 mm	446 mm	399 mm
G7U6S457XXB	457 mm (18")	466 mm	478 mm	522 mm	475 mm
G7U6S533XXB	533 mm (21")	542 mm	555 mm	598 mm	552 mm



457C - 533C - 610C - 686C - 762C
Blocked out face frame cabinets or frameless.
 See page 7.

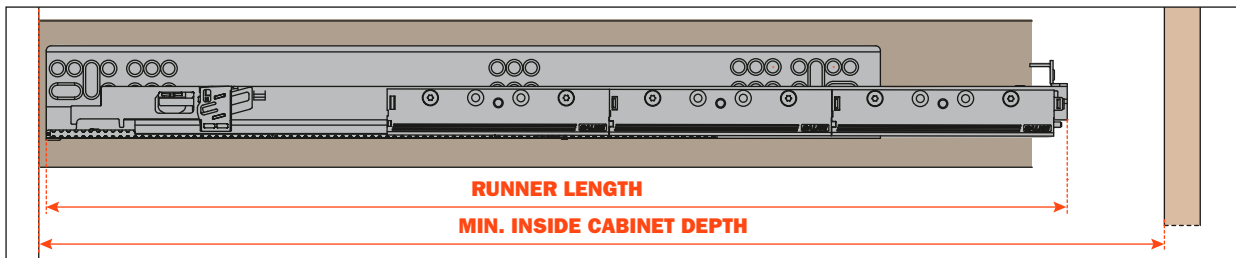
AFCGX3B
 (right and left)



AFCGX43B
 (right and left)



AFCEX43B
 (right and left)



PART NUMBER	DRAWER LENGTH (LC)	RUNNER LENGTH (LN)	MINIMUM INSIDE CABINET DEPTH
G7U6S457CXB	457 mm (18")	465 mm	474 mm
G7U6S533CXB	533 mm (21")	541 mm	551 mm
G7U6S610CXB	610 mm (24")	618 mm	627 mm
G7U6S686CXB	686 mm (27")	694 mm	706 mm
G7U6S762CXB	762 mm (30")	770 mm	783 mm



F70 Push

F70 Push - Full extension runner for 12 mm (1/2") to 16 mm (5/8") drawer material

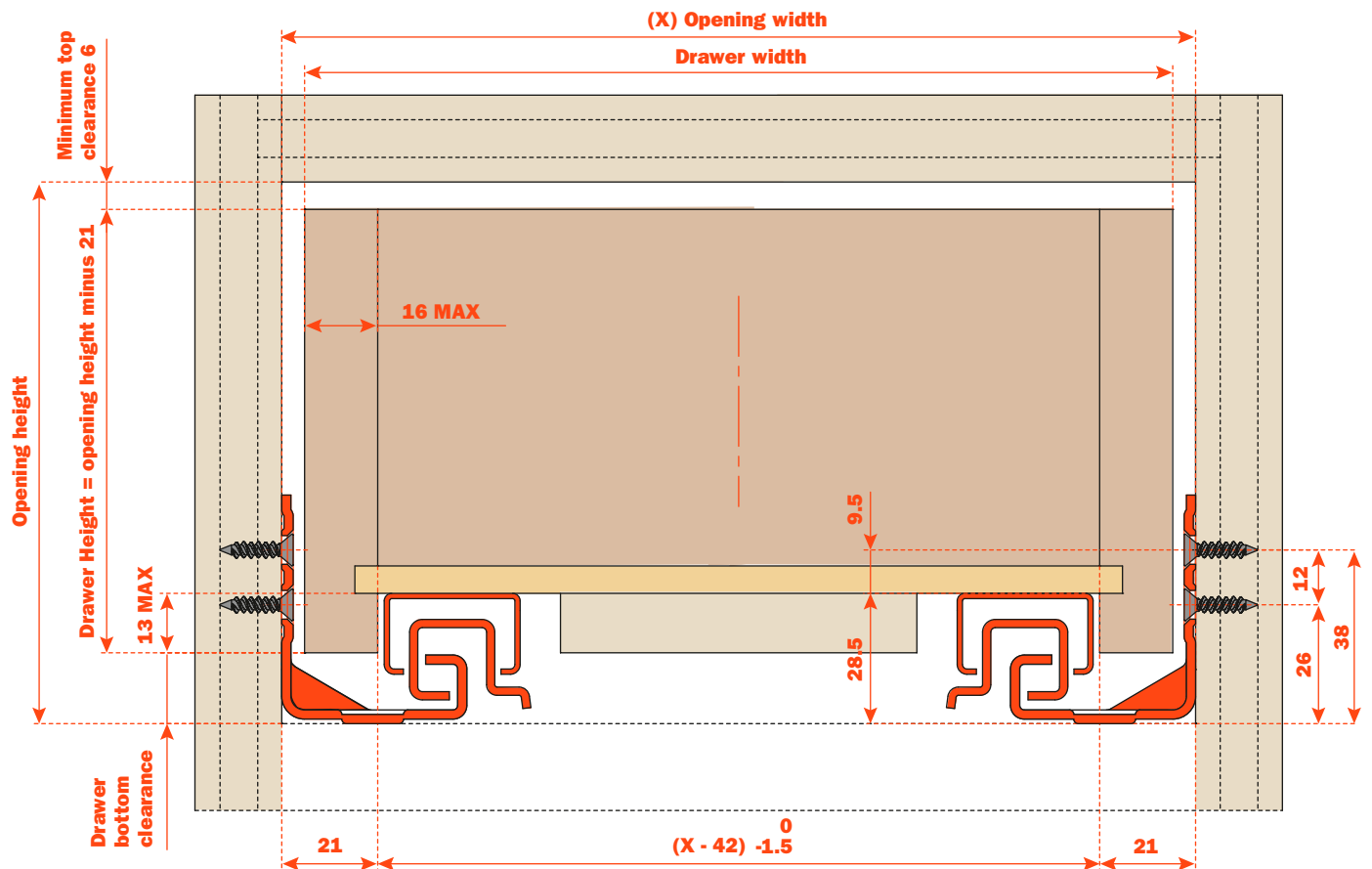


PUSH: THE OPENING SYSTEM FOR HANDLE-LESS DRAWERS IS FULLY INTEGRATED IN THE RUNNER. A SLIGHT PRESSURE OF THE DRAWER FRONT IS ENOUGH FOR THE DRAWER TO OPEN.

Product features

- 170 Lbs Static load capacity
- Full extension with a synchronized mechanism
- Available in 15" to 30" length
- Integrated Push opening system
- Elongated holes for depth and height adjustment
- Adjustable clips allow for easy drawer insertion and removal, special clip for narrow drawers
- The drawer is latched when closed
- Frameless or blocked out face frame applications
- Tool free height adjustments + 2.5 mm
- Tool free depth adjustments +/- 3 mm
- Tool free side adjustments +/- 1.5 mm
- Optional:
 - tool free tilt adjustment +3 mm
 - F70 Push Synchronizer
- 12 mm (1/2") to 16 mm (5/8") drawer thickness
- Compatible with Lineabox drawers
- Finish: bright zinc-plated
- 100% Made in Italy

Dimensions

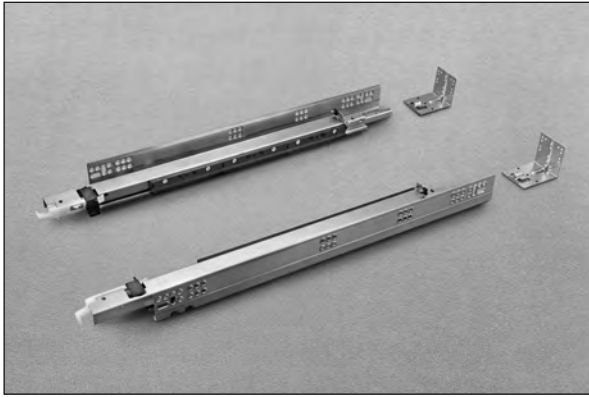


CALCULATION FORMULA FOR OUTSIDE DRAWER WIDTH

For drawer side thickness of	16 mm (5/8")	15 mm (19/32")	14 mm (9/16")	13 mm (1/2")	12 mm (15/32")
Deduct from inside cabinet width	10 mm (3/8")	12 mm (15/32")	14 mm (9/16")	16 mm (5/8")	18 mm (21/32")

Example: For a 15" inside cabinet width and a 5/8" thick drawer, subtract 3/8" from the inside width of 15" = 14-5/8" drawer width.

Note: Drawer side material thickness may vary. Make sure you take precise measurements when calculating outside drawer width using the table below. Inside drawer width must equal opening width minus 42 (1 21/32") for F70 runners to align and function optimally.



381X - 457X - 533X

Blocked out face frame cabinets or frameless

The socket can be used for the correct alignment of the runners before fixing to the cabinet side.
See page 6.

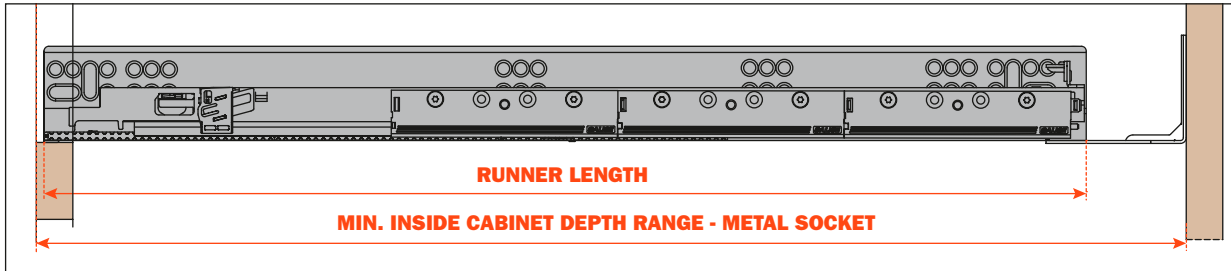
AFCGX3B
(right and left)



AFCGX43B
(right and left)



AFCEX43B
(right and left)



AGSK7C5B



AGSK7R5B



PART NUMBER	DRAWER LENGTH (LC)	RUNNER LENGTH (LN)	MINIMUM INSIDE CABINET DEPTH METAL SOCKET	MAXIMUM INSIDE CABINET DEPTH METAL SOCKET	MINIMUM INSIDE CABINET DEPTH
G7U6P381XXB	381 mm (15")	390 mm	402 mm	446 mm	399 mm
G7U6P457XXB	457 mm (18")	466 mm	478 mm	522 mm	475 mm
G7U6P533XXB	533 mm (21")	542 mm	555 mm	598 mm	552 mm



457C - 533C - 610C - 686C - 762C

Blocked out face frame cabinets or frameless

See page 7.

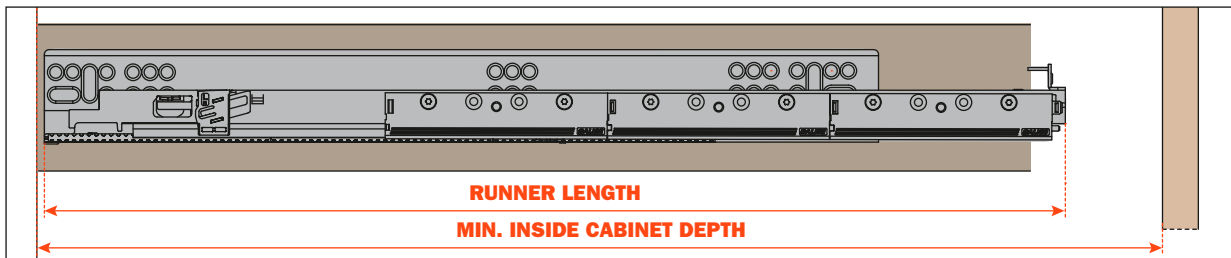
AFCGX3B
(right and left)



AFCGX43B
(right and left)



AFCEX43B
(right and left)



PART NUMBER	DRAWER LENGTH (LC)	RUNNER LENGTH (LN)	MINIMUM INSIDE CABINET DEPTH
G7U6P457CXB	457 mm (18")	465 mm	474 mm
G7U6P533CXB	533 mm (21")	541 mm	551 mm
G7U6P610CXB	610 mm (24")	618 mm	627 mm
G7U6P686CXB	686 mm (27")	694 mm	706 mm
G7U6P762CXB	762 mm (30")	770 mm	783 mm



F70 Accessories

F70 Push Synchronizer

The synchronization system for Push to Open F70 runners has been developed to ensure that wider drawers can be opened with minimum effort.

The system links the two runners, which then become a single element; applying pressure on any part of the drawer front (even at the extremities), is sufficient for the Push devices to release and consequently for the drawer to open.

The synchronization can be used with any drawer width; its functionality is at its best with drawers wider than 762 mm (30").

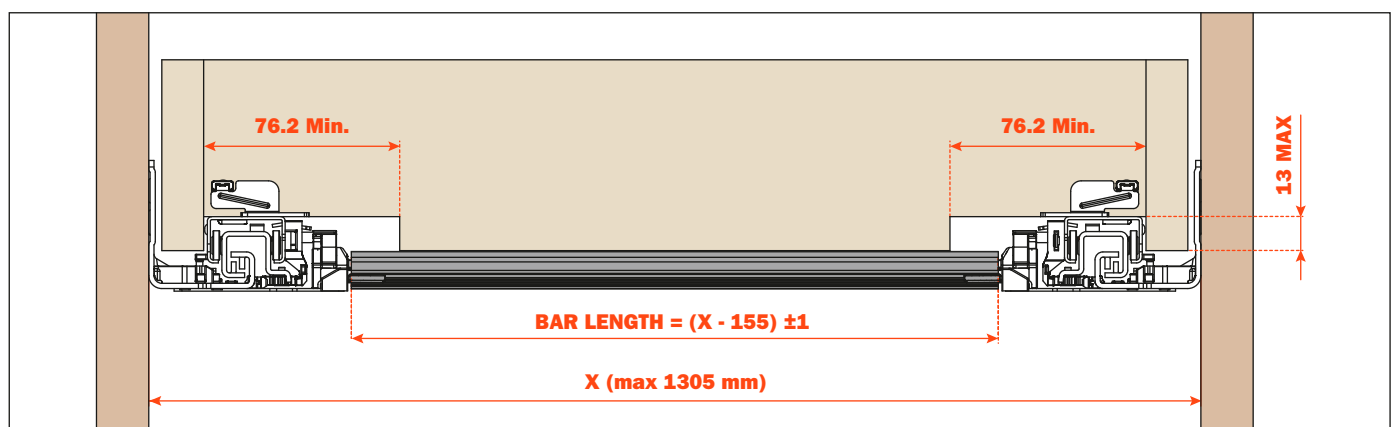
PRODUCT FEATURES:

- frameless or blocked out face frame applications
- smooth running action
- load capacity of the runner remains unchanged
- available on any F70 drawer length
- minimum opening (X) = 280 mm
- maximum opening (X) = 1305 mm
- bar length = 1150 cut to size



Technical information - Formula for cutting the bar to length

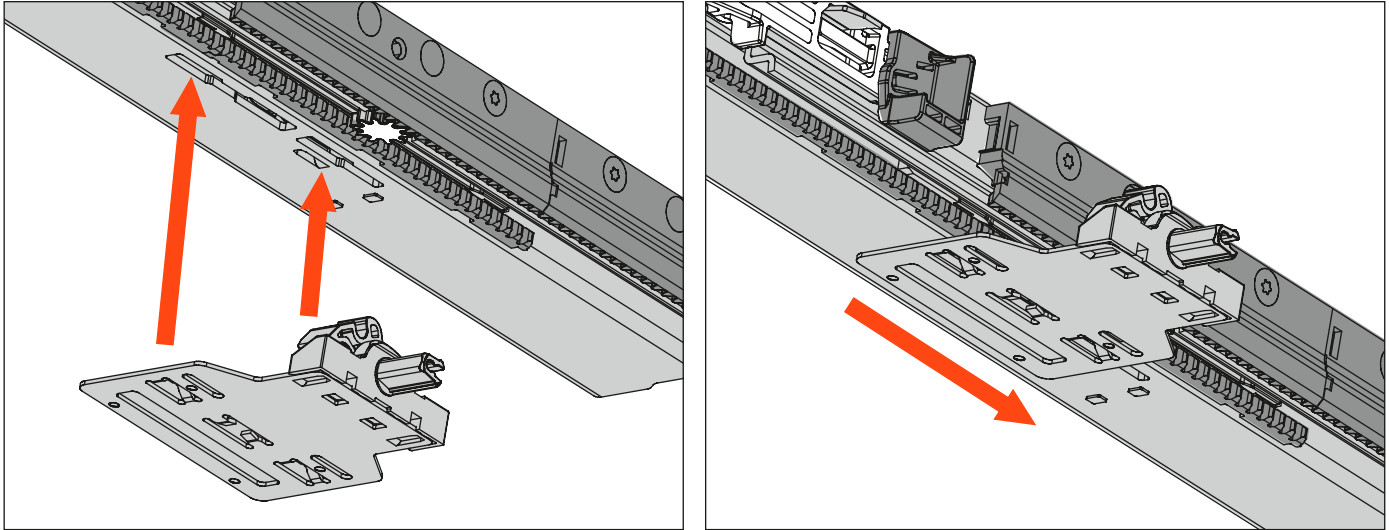
The assembly of the synchronizer requires a minimum 76.2 mm (3") groove in the rear of the drawer.



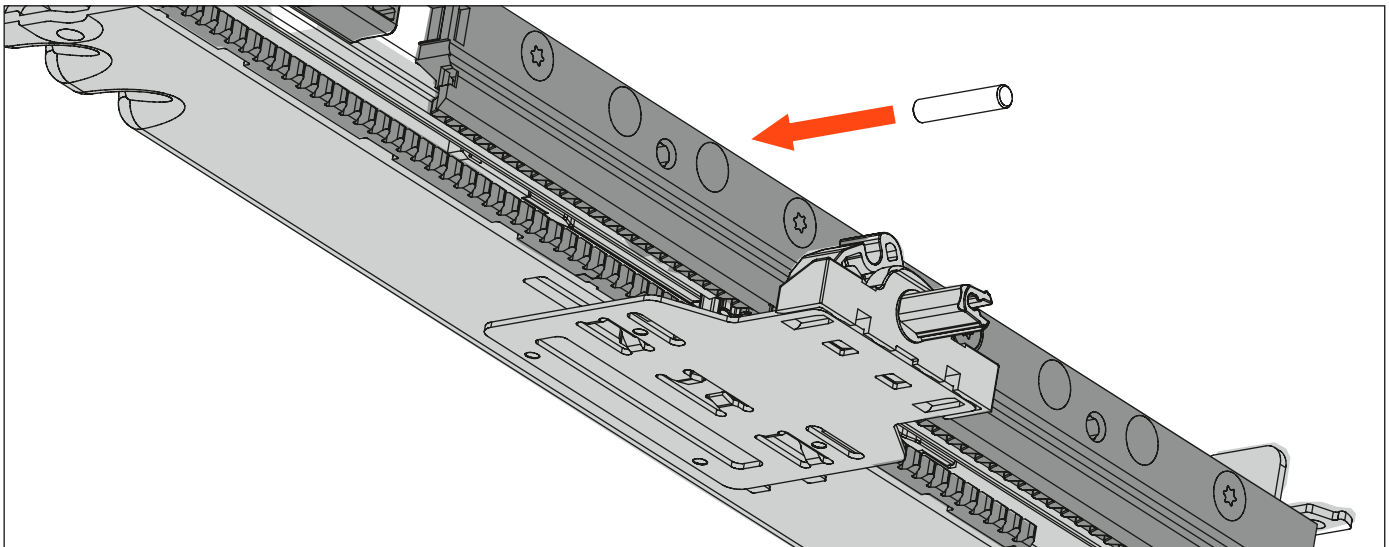
X = Internal width of the cabinet

Assembly instructions

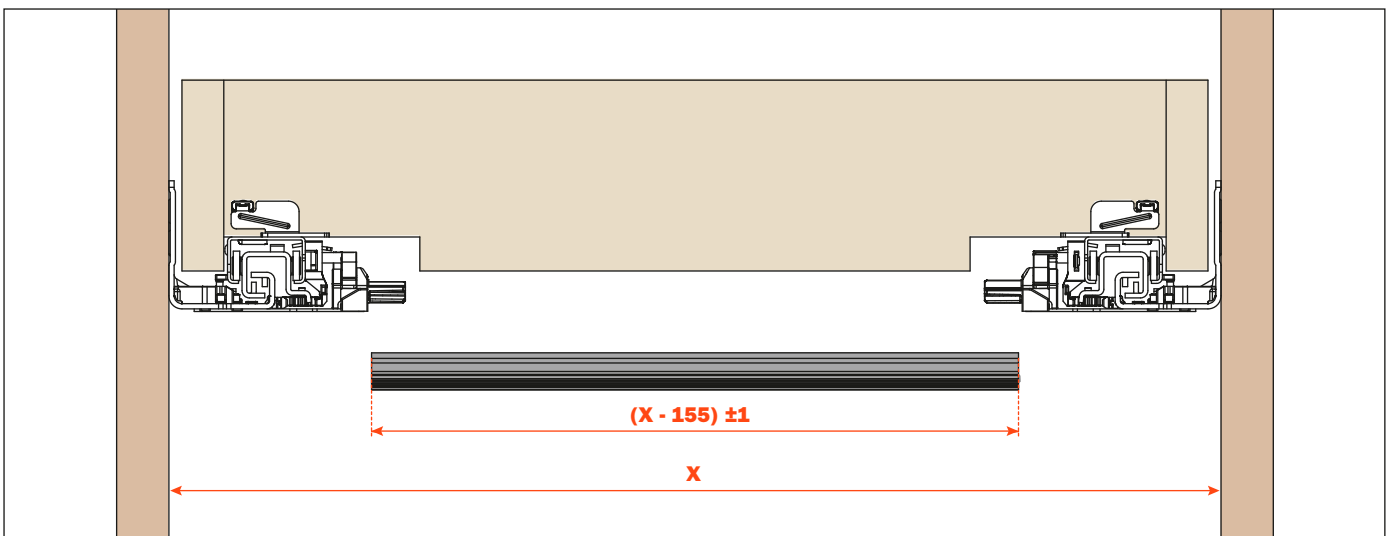
Slide the carrier plates into position on the runners in the direction indicated by the arrows



Fitting the driver pins to the runners

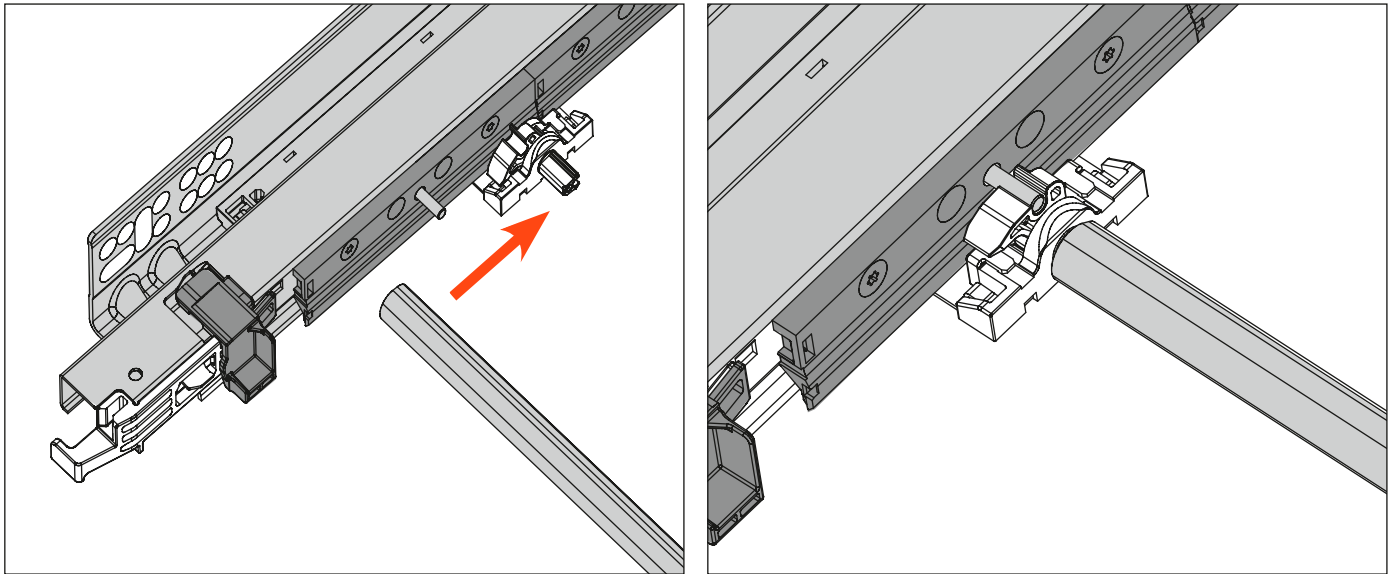


Cut the stabilizer bar to length

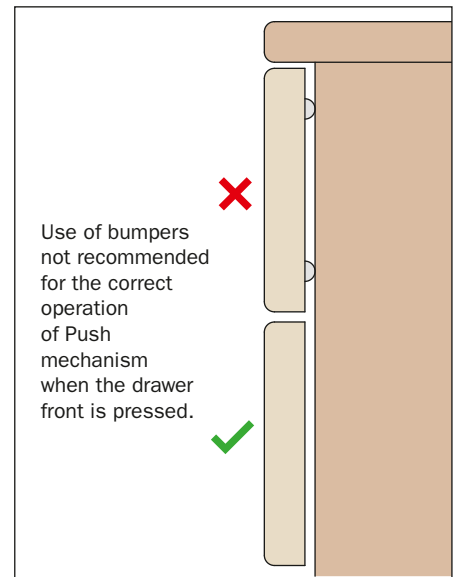


Assembly instructions

Fix the bar to the plates and insert the drawer



Applying pressure on any part of the drawer front is sufficient for the drawer to open



Packaging

SYNCHRONIZER - SINGLE KIT PACKAGING

APKF7X51150

PACKAGING
Box = 20 single kits

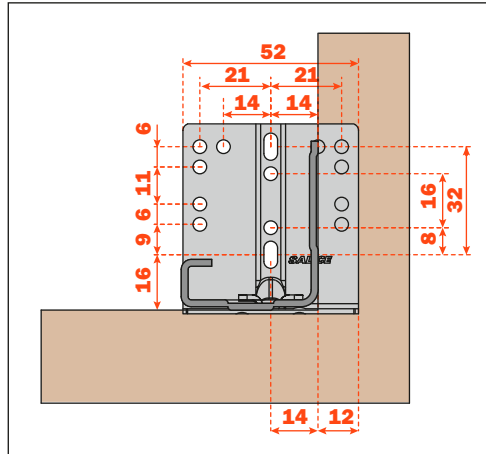
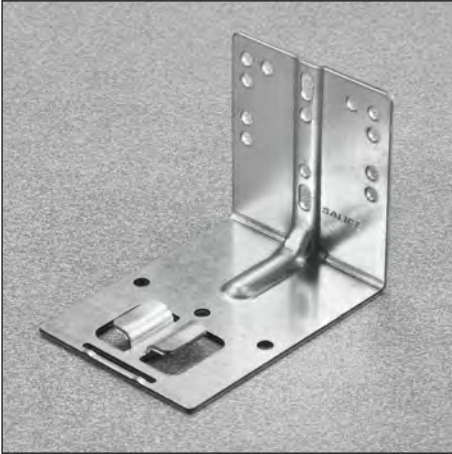
1 KIT CONTAINS:

- 1 stabilizer bar
- 2 driver pins
- 2 carrier plates



Metal sockets

Standard metal socket

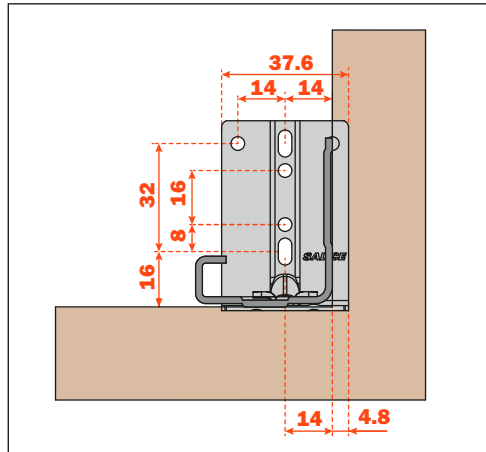


AGSK7C5B

PACKAGING
1 box = 100 pcs

- For F70 full extension runners
- Lateral self-alignment feature
- One piece stamped metal, zinc-coated
- Non-handed
- Use a minimum of 4 screws per socket

Narrow metal socket



AGSK7R5B

PACKAGING
1 box = 100 pcs

- For F70 full extension runners
- Lateral self-alignment feature
- One piece stamped metal, zinc-coated
- Non-handed
- Use a minimum of 4 screws per socket

Drilling templates for drawers

Pre-drilling for the clips reduces the possibility of splitting the wood, thus assuring the correct and level installation of the clips.

The correct and level mounting assures a smooth assembly and operation of the drawer slide.



SGD704UGXA

PACKAGING
1 box = 1 pc.

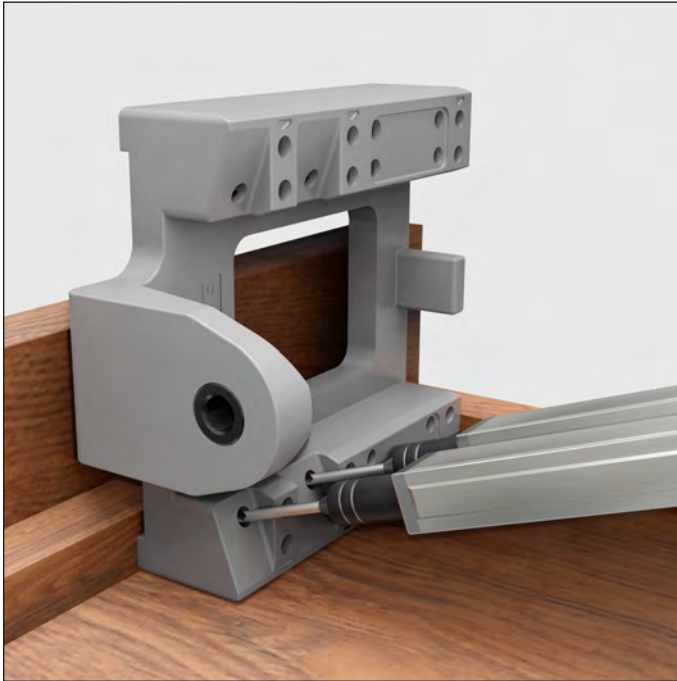
Back drilling for hook

Pre-bore for rear hook for proper alignment and depth (min. depth = 10 mm or 13/32")



Use a \varnothing 6 mm (1/4") drill bit

Angled drilling for clips, fixing on the sub-front



Use a \varnothing 2,5 mm (3/32") drill bit

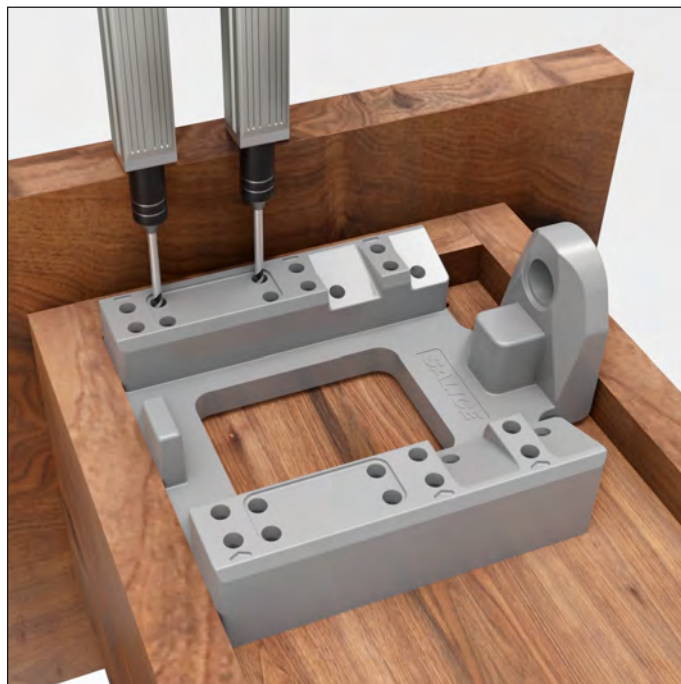
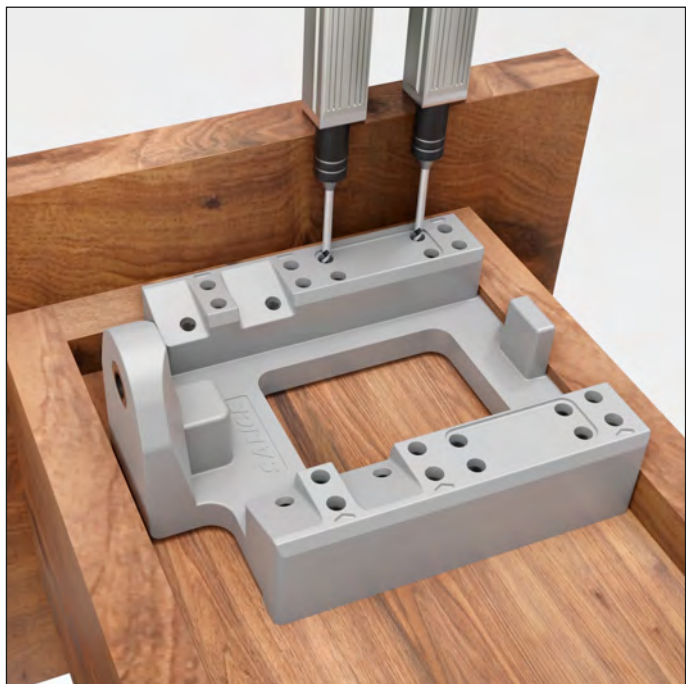
Vertical drilling for clips, fixing on the bottom



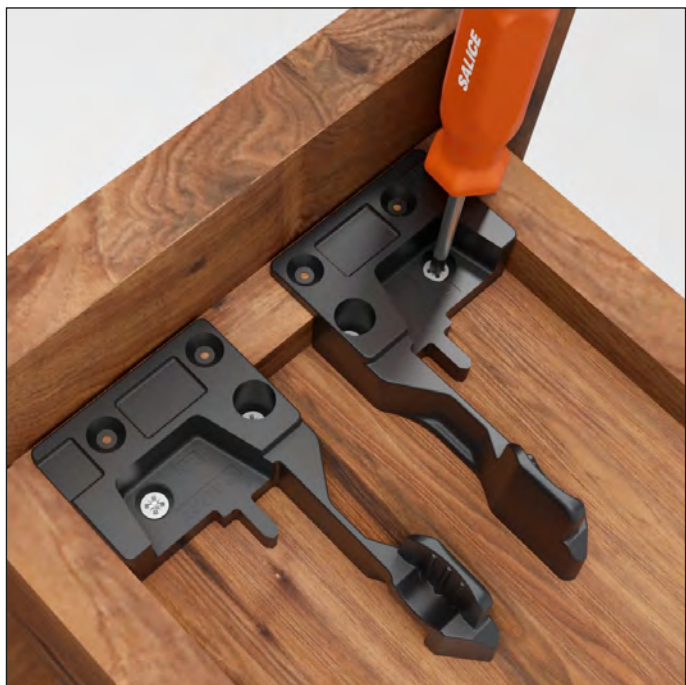
Use a \varnothing 2,5 mm (3/32") drill bit

Drilling templates for drawers

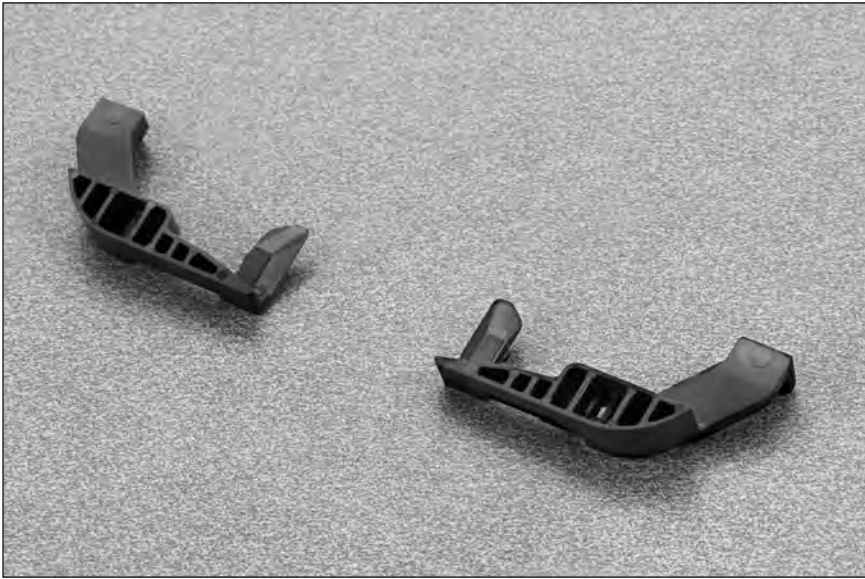
Vertical fixing under the sub-front



Use a \varnothing 2,5 mm (3/32") drill bit



Tilt adjustment lever



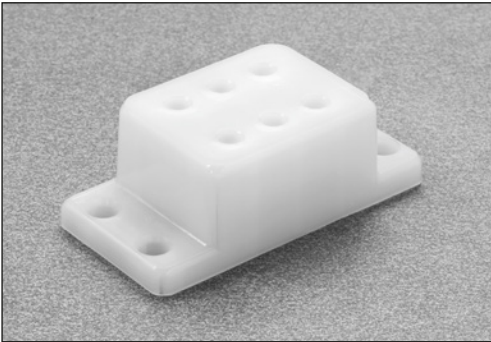
AGLRXX3F

PACKAGING

1 box = 12 pcs right / 12 pcs left

Technical information, see page 19.

Side spacer

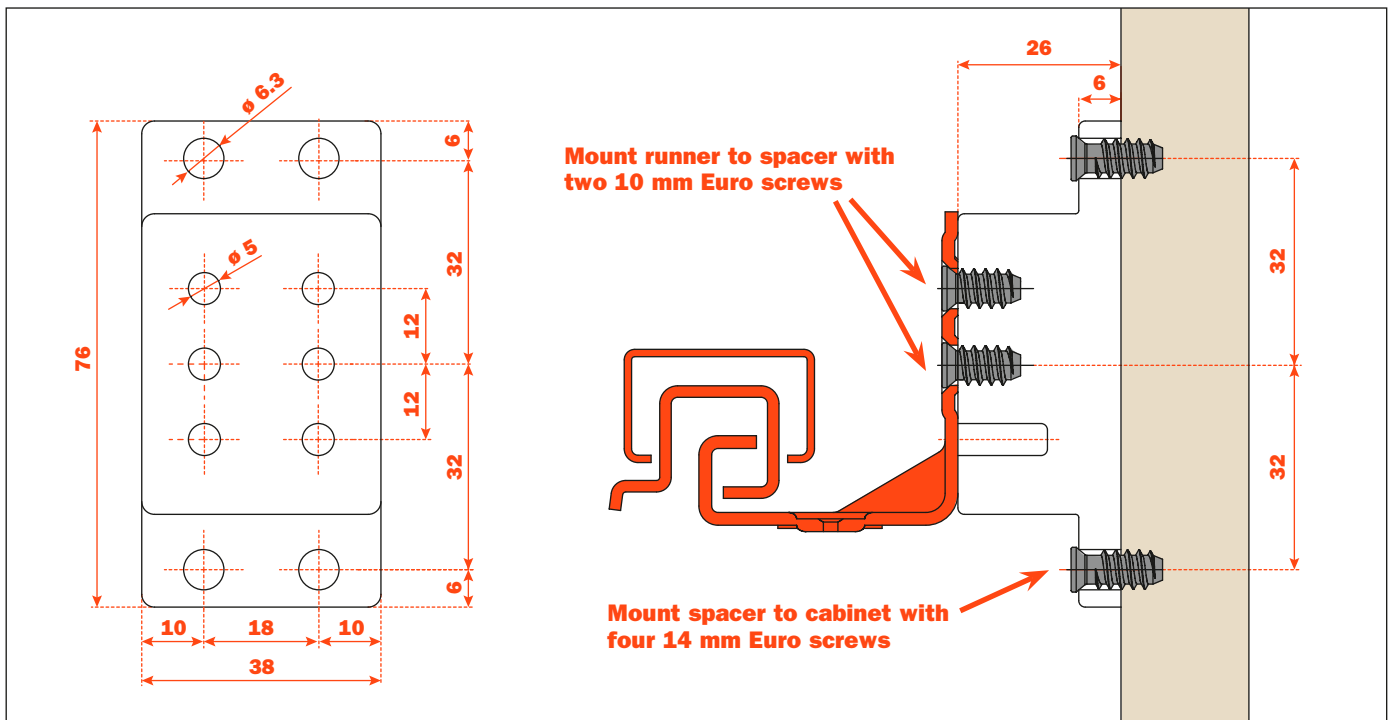


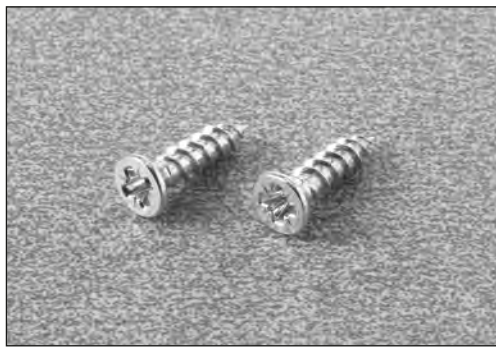
ASPACERFUT

For spacing out F70 runners for clearance on interior roll-outs.

PACKAGING

1 box = 100 pcs

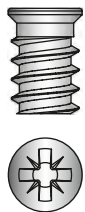


Wood screw**V234X164**

Wood screw # 6 x 16 mm (5/8")

PACKAGING

1 box = 100 pcs

Euro screw**V136X114**

Euro screw # 6 x 11 mm (7/16")

PACKAGING

1 box = 100 pcs

**V136X154**

Euro screw # 6 x 14.5 mm (9/16")

PACKAGING

1 box = 100 pcs

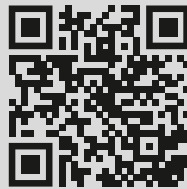
Pozi driver**D2A7XCXCP**

PACKAGING

1 box = 100 pcs

SALICE AMERICA INC.

2123 CROWN CENTRE DRIVE
CHARLOTTE NC. 28227
TEL. 704 841 7810
FAX. 704 841 7808
info.salice@saliceamerica.com
www.saliceamerica.com



Digital contents