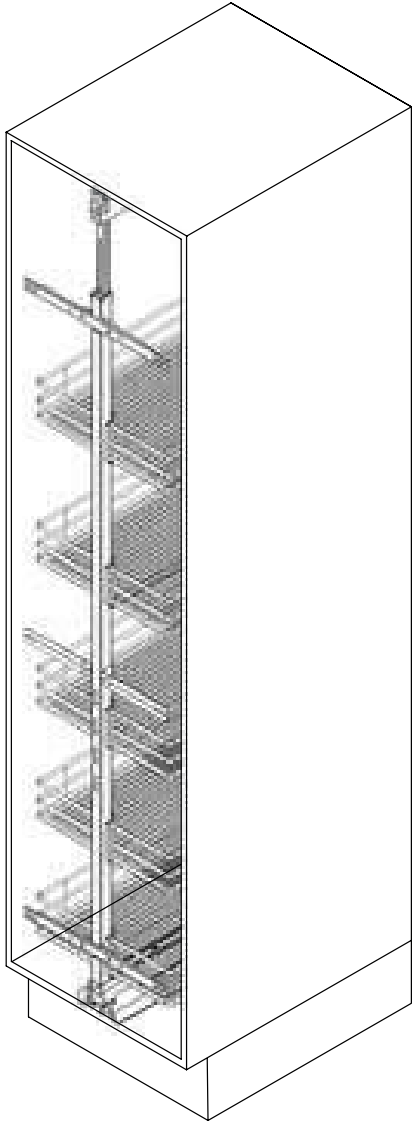
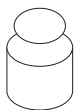
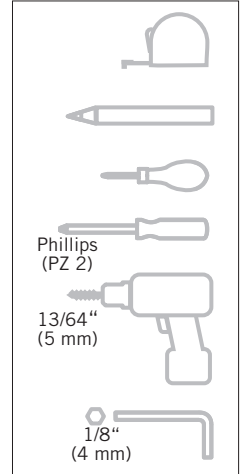
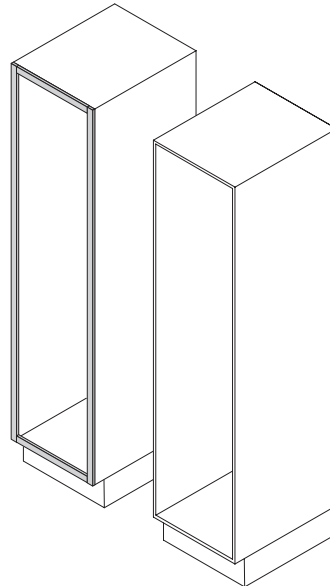


VS TAL[®] Pantry

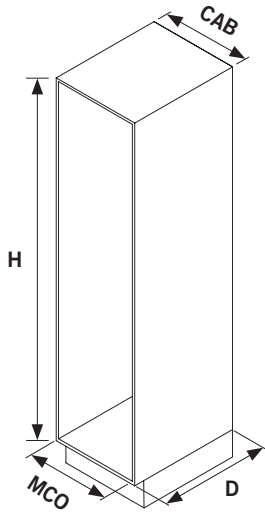


For Face Frame and
Frameless Kitchens

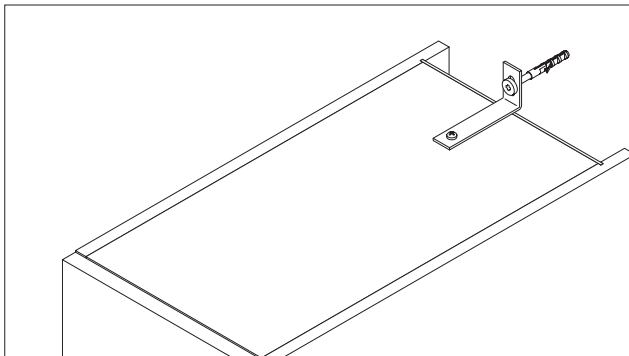
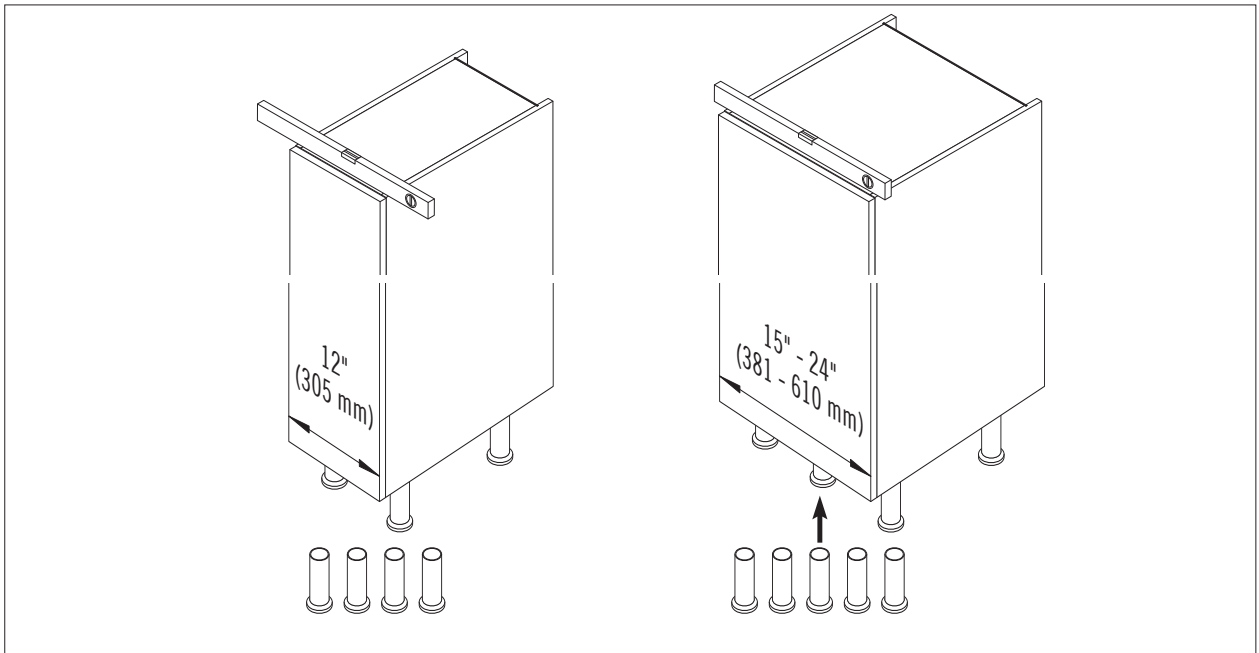


heavy duty bottom runner for 256 lbs. (120 kg)
load capacity max. 35.2 lbs. (16 kg) per basket

CABINET DIMENSIONS



FF Cabinet widths (CAB)	FL Cabinet widths (CAB)	Cabinet opening (MCO)	Installation depth (D)	Installation height 1 (H)	Installation height 2 (H)	Installation height 3 (H)	Installation height 4 (H)	Installation height 5 (H)
12"	min. 10.5"	9"	22.5"	37.5"	47.25"	57"	67"	76.75"
15"	min. 13.5"	12"	22.5"	37.5"	47.25"	57"	67"	76.75"
18"	min. 16.5"	15"	22.5"	37.5"	47.25"	57"	67"	76.75"
21"	min. 19.5"	18"	22.5"	37.5"	47.25"	57"	67"	76.75"
24"	min. 22.5"	21"	22.5"	37.5"	47.25"	57"	67"	76.75"



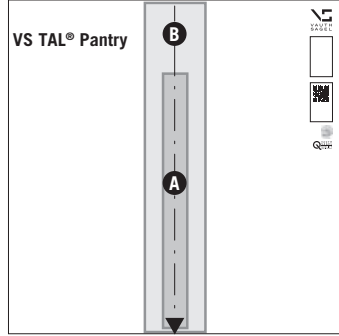
CAUTION:

The cabinet must be securely fastened to the wall studs to prevent it from tipping over. Appropriate fastening material is not supplied with the set.

It is the responsibility of the installer to insure the unit is properly installed and securely fastened to wall studs.

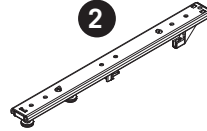


1

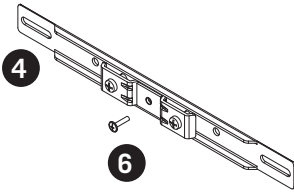


VS TAL® Pantry

2

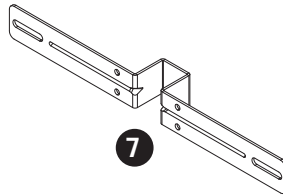


4

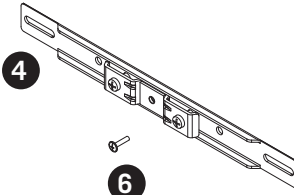


6

7

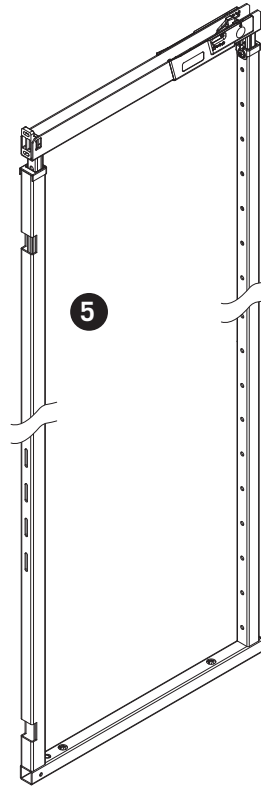


4

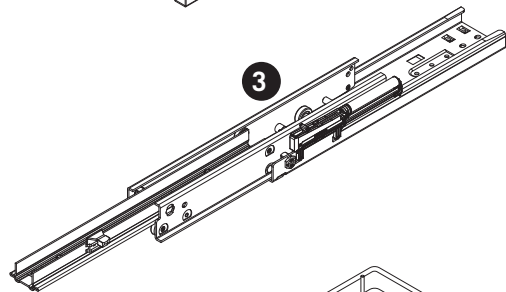


6

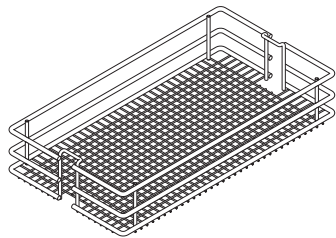
5



3



9



8

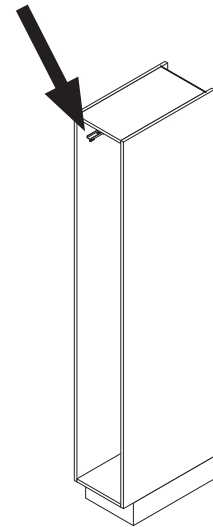
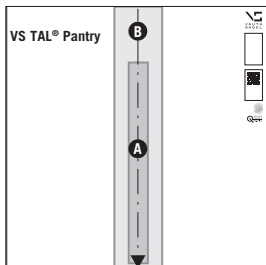


1

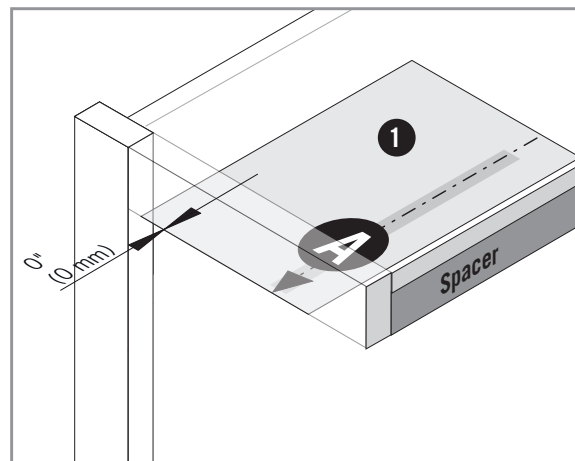
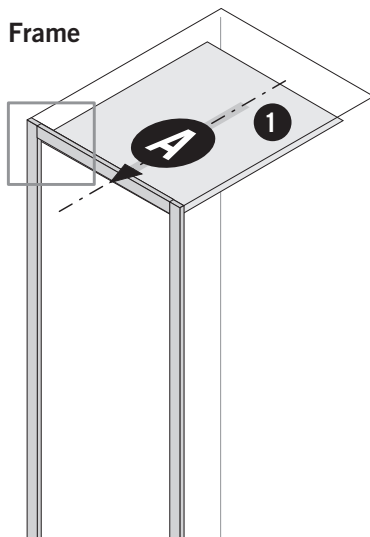
A



1

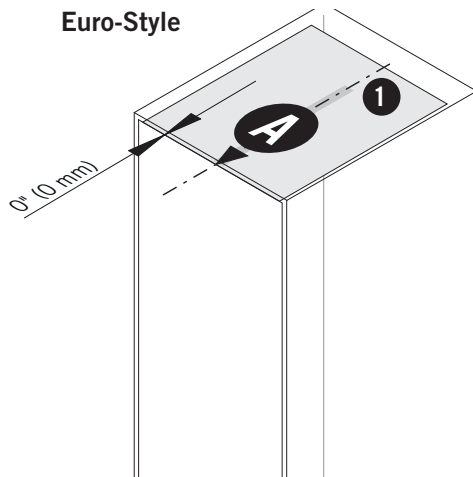


Face Frame



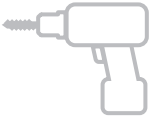
For faceframe installation a spacer needs to be installed at the cabinet ceiling so the installation level is flush with the face frame.

Euro-Style



2

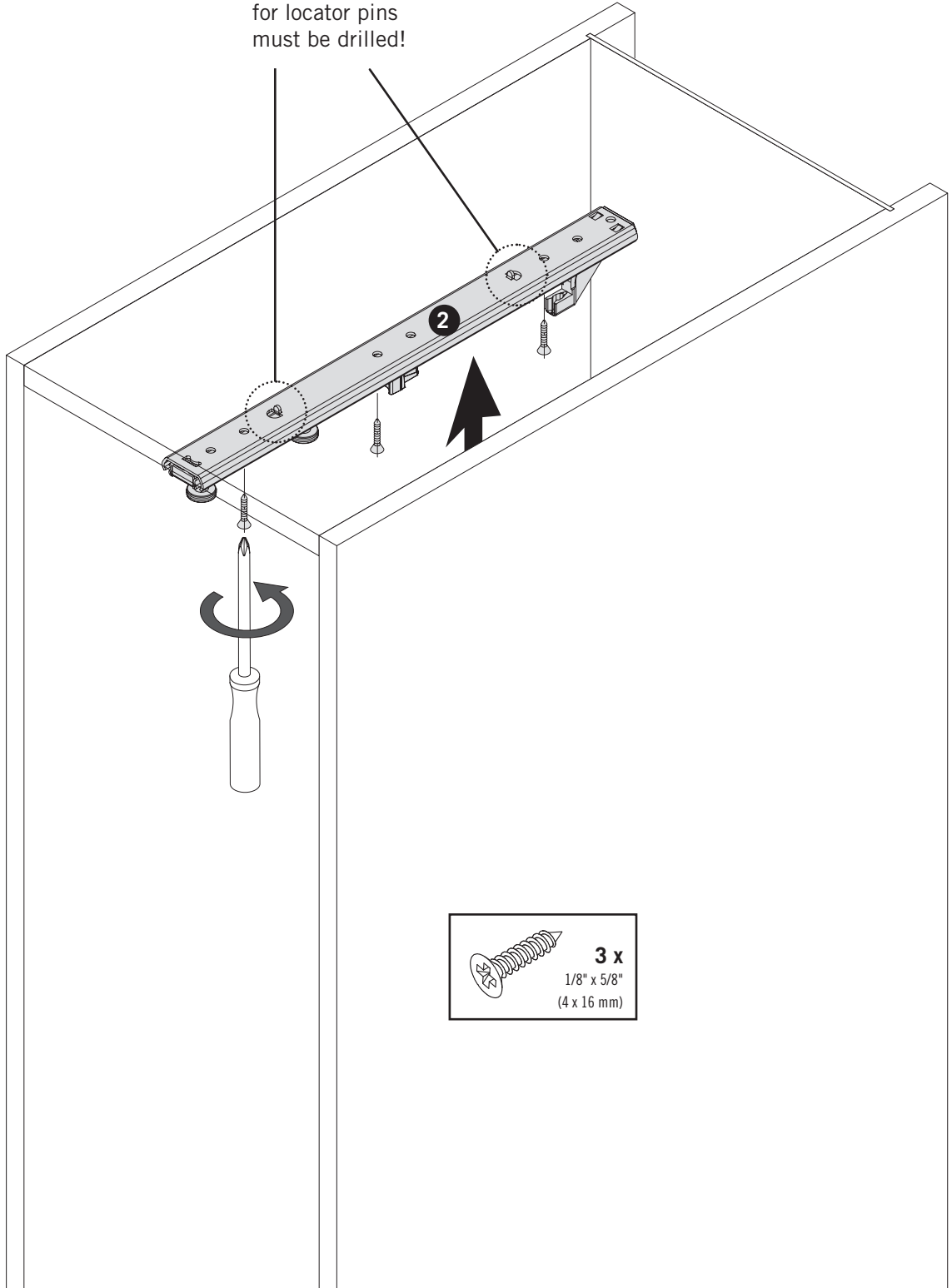
Please install top runner first.



Ø 1/5"
(5 mm)



These two positions
for locator pins
must be drilled!

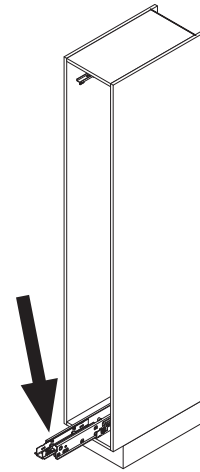
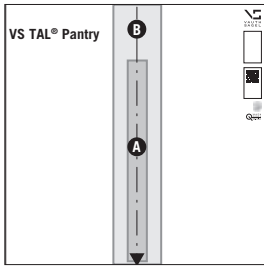


3

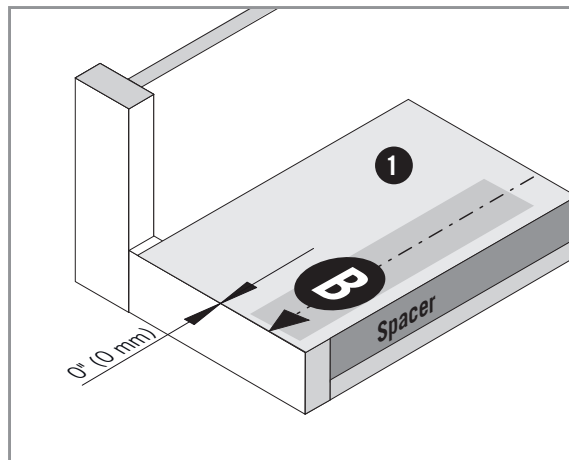
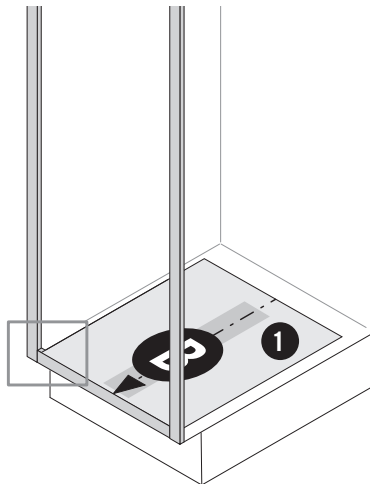
B



1

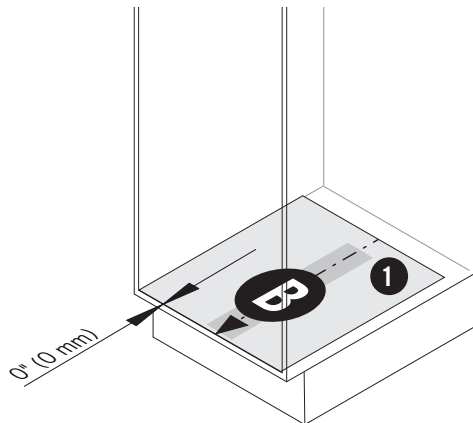


Face Frame

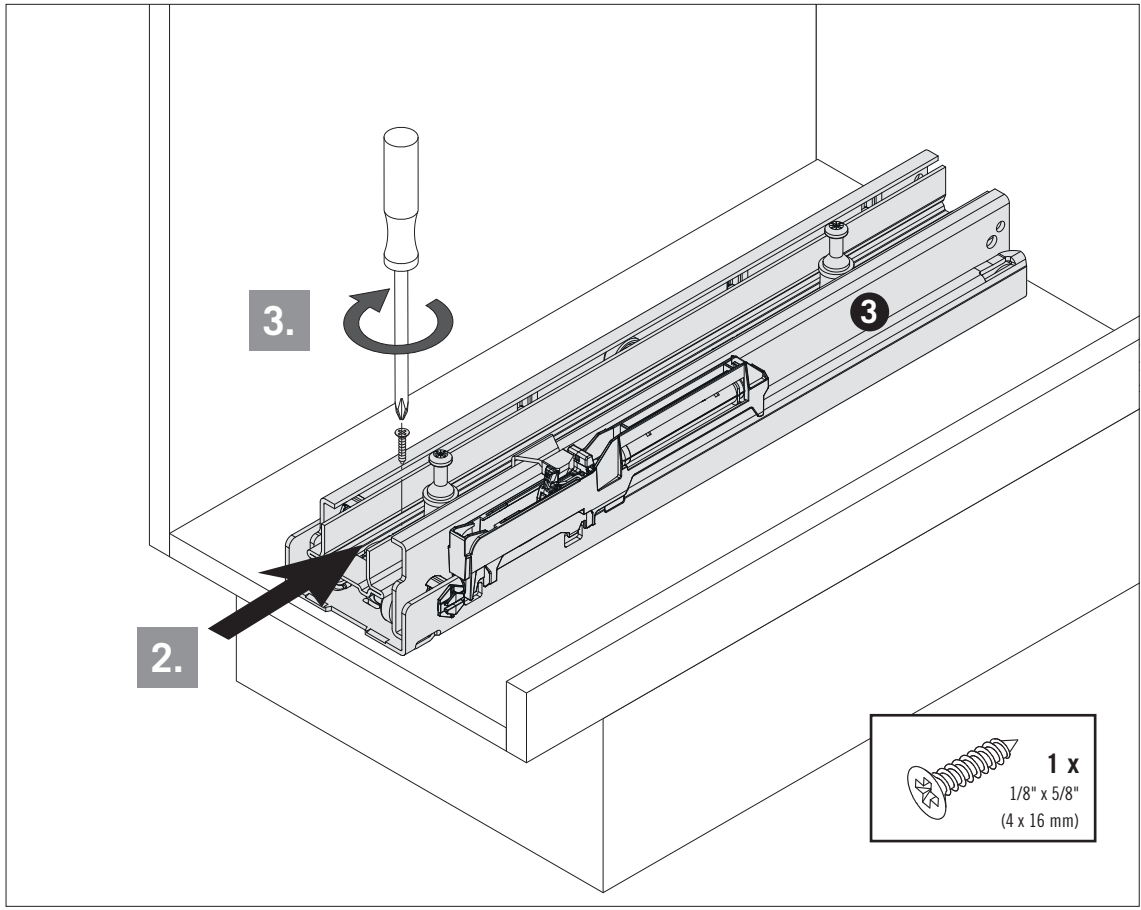
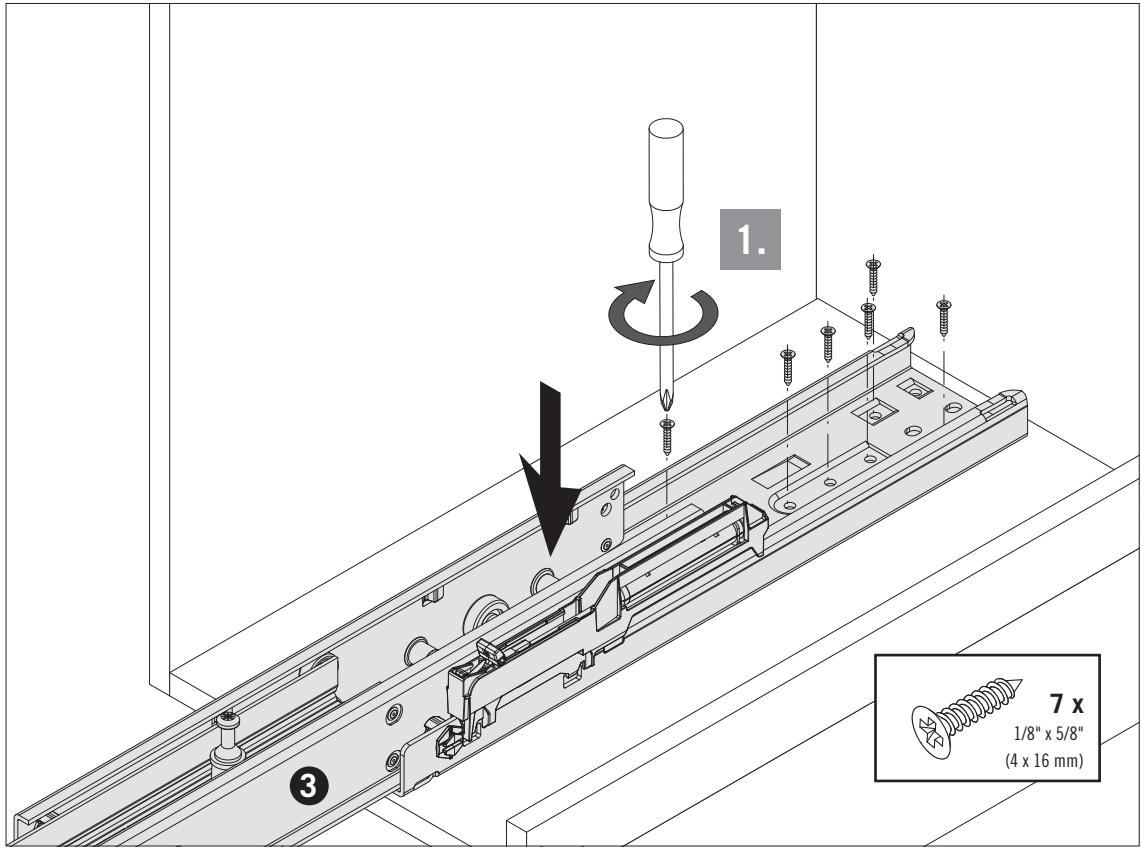


For faceframe installation a spacer needs to be installed at the cabinet floor so the installation level is flush with the face frame.

Frameless

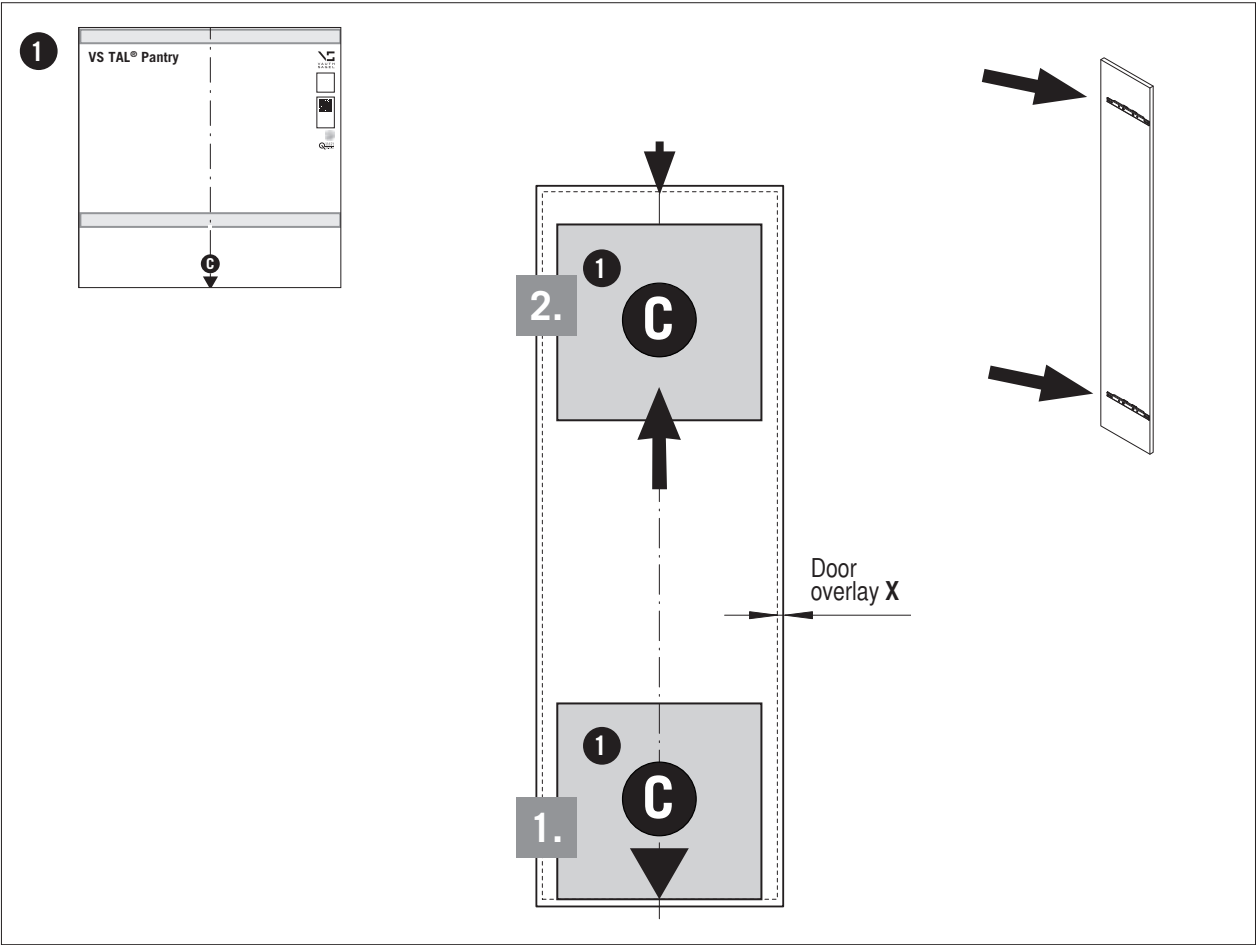


4

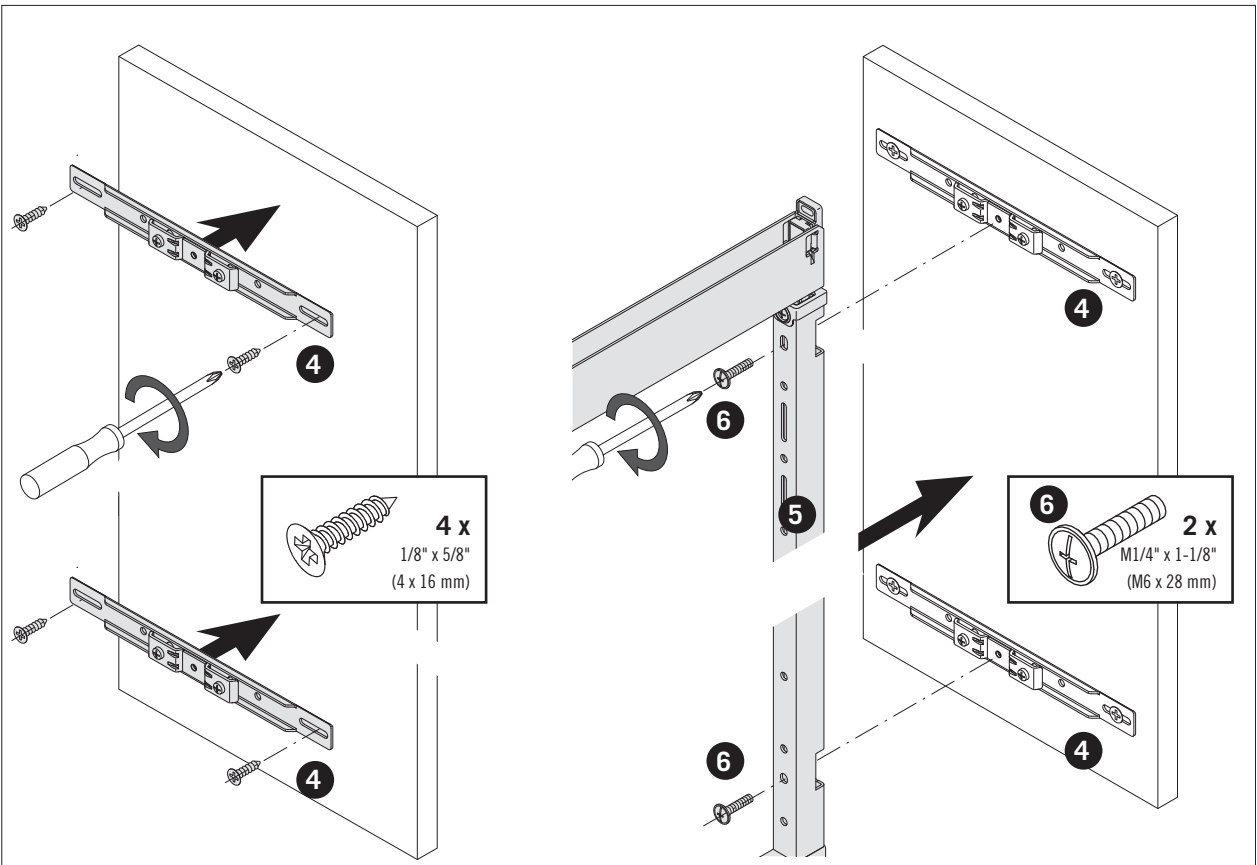


5

C



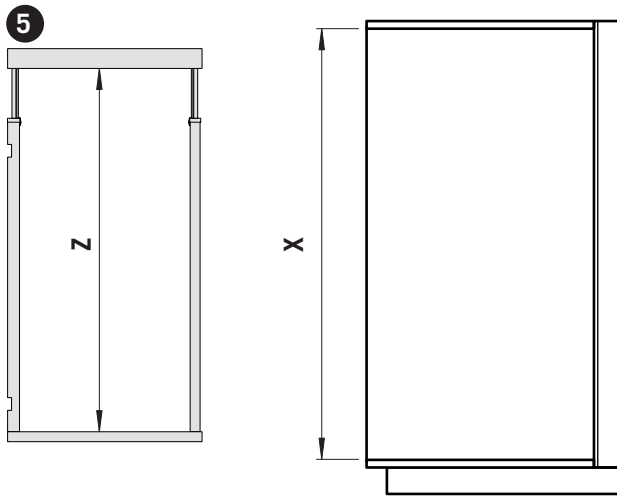
6



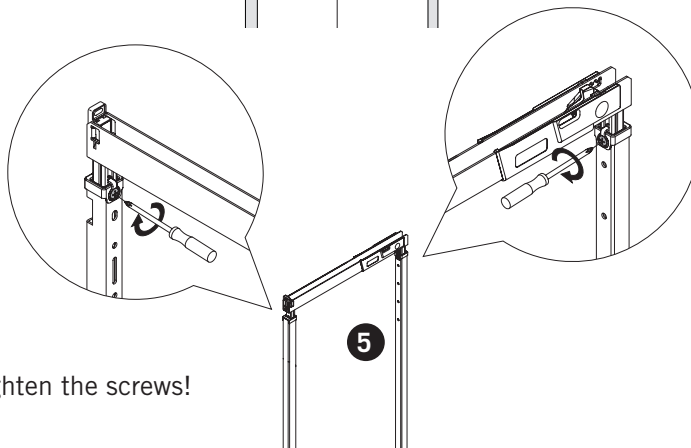
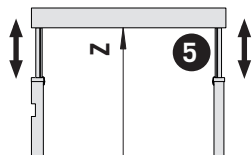
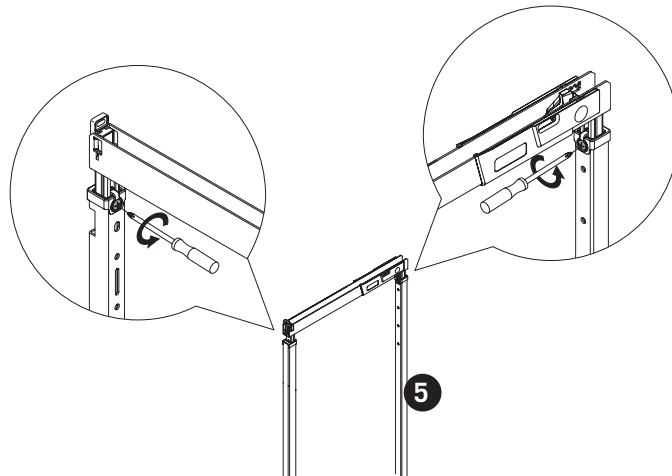
7



Adjust the internal height of frame!

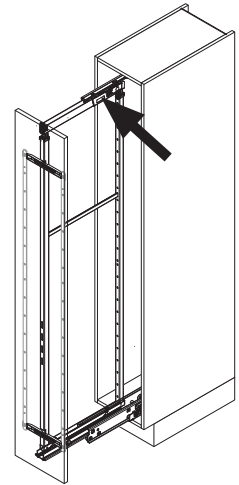
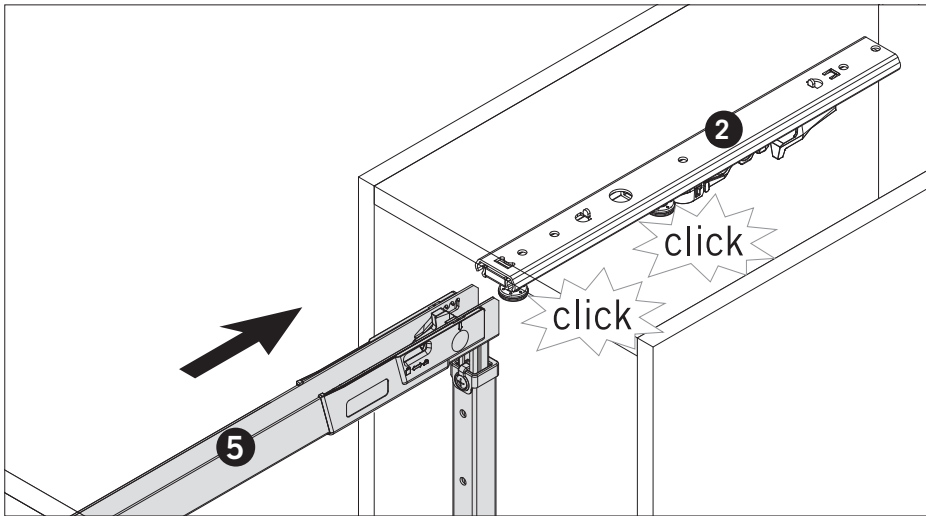
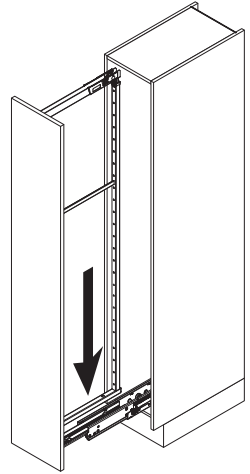
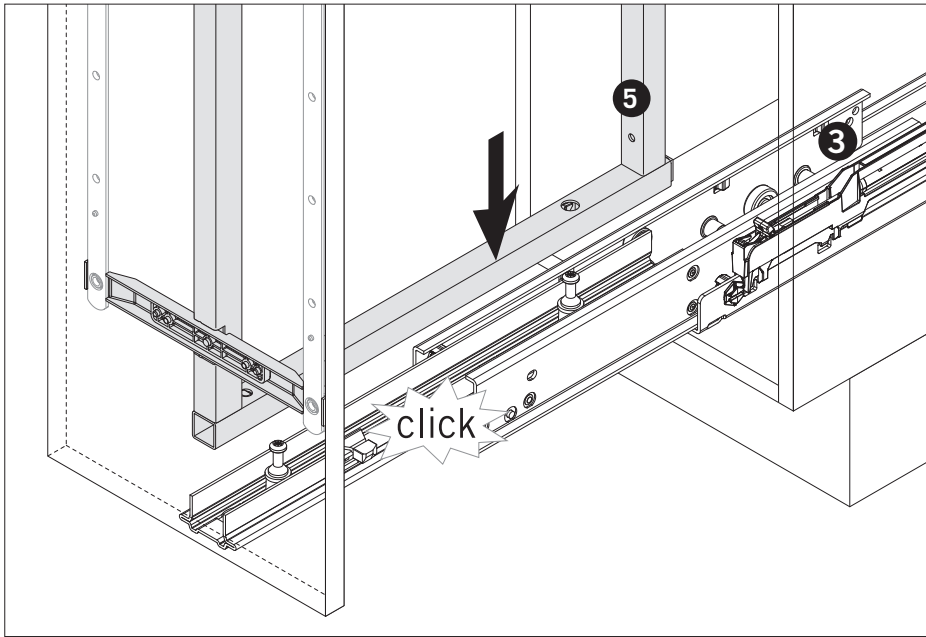


$Z = X - 5-1/2"$
($Z = X - 139 \text{ mm}$)
Z = internal height of frame
X = internal height of cabinet

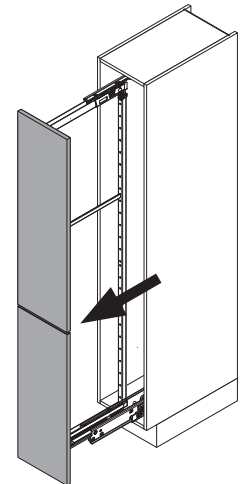
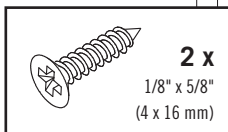
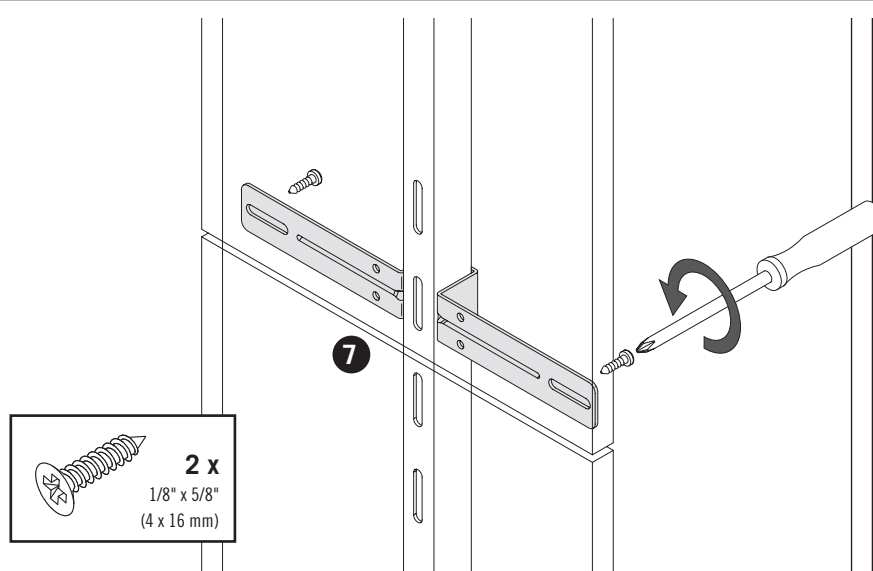


Tighten the screws!

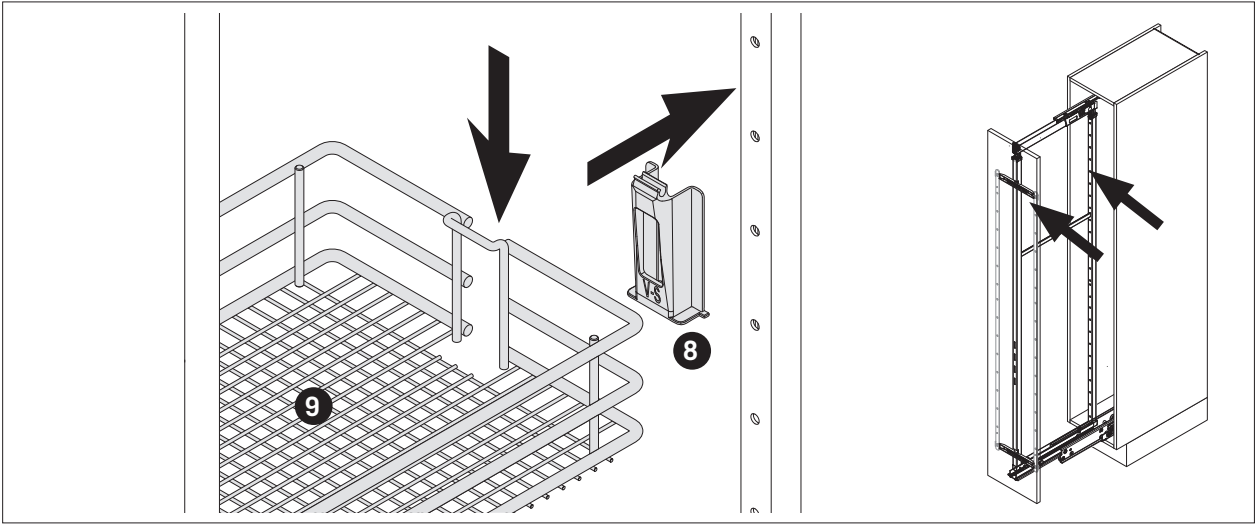
8



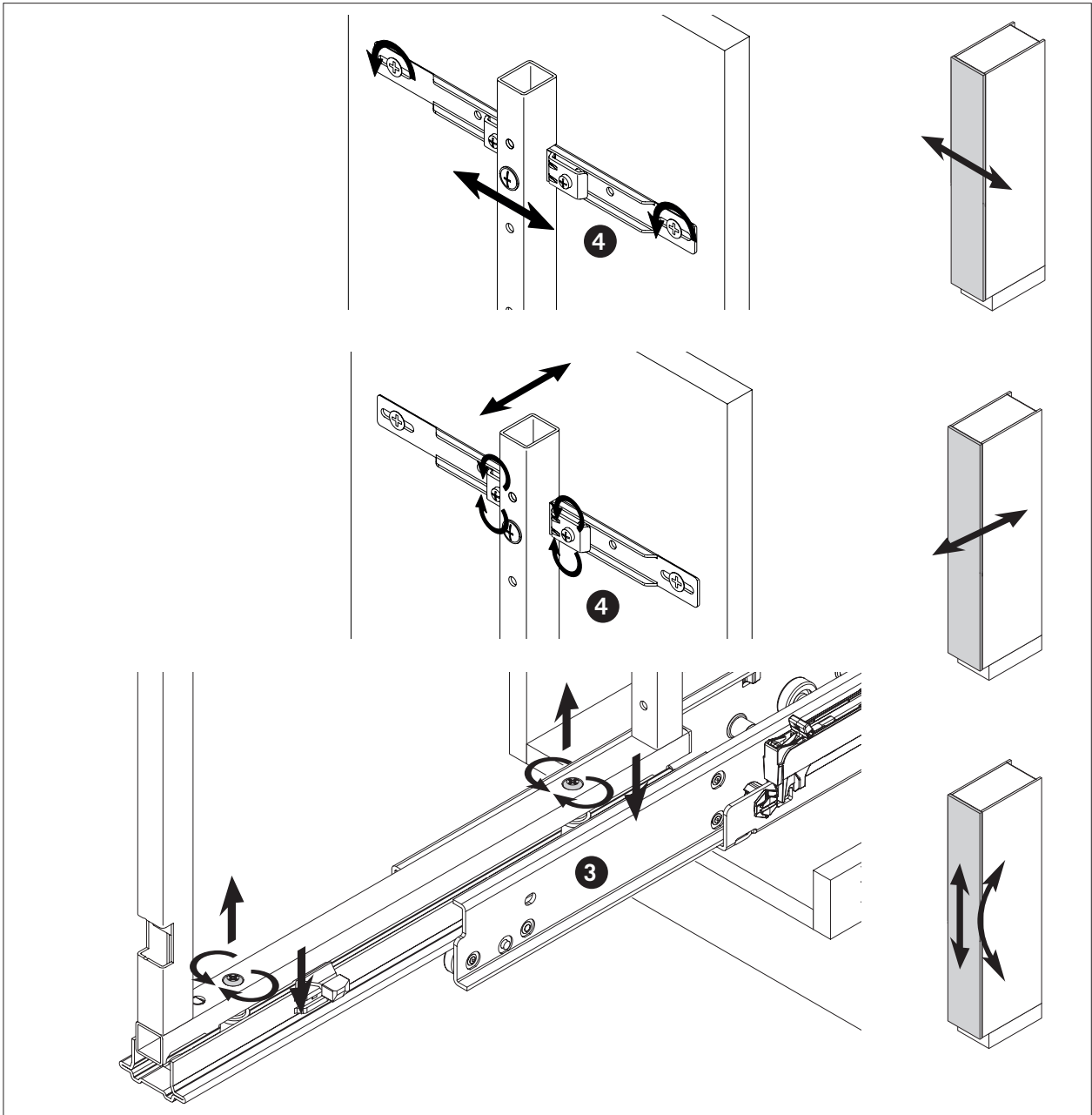
9



10

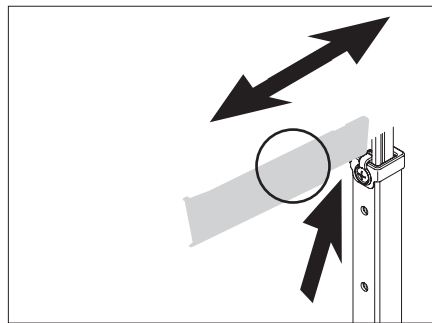
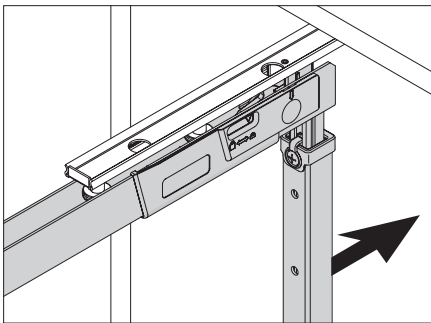
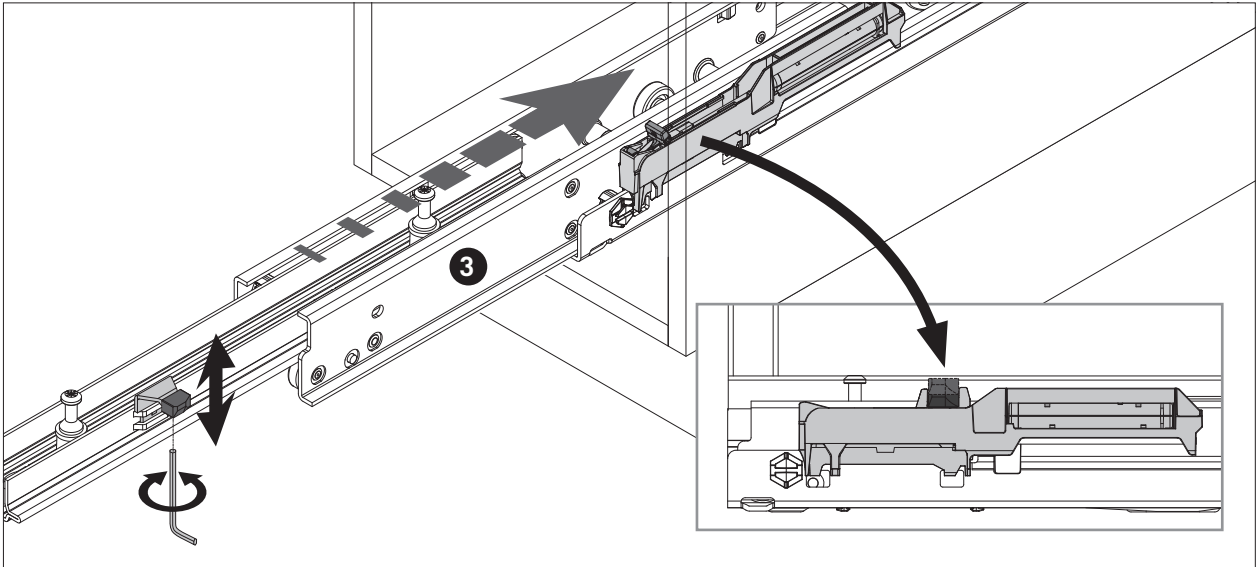


11

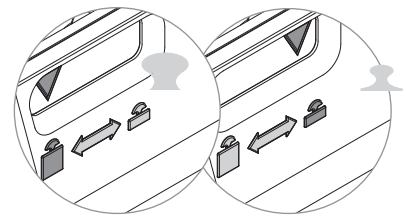




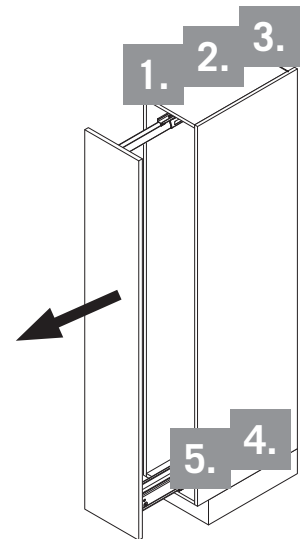
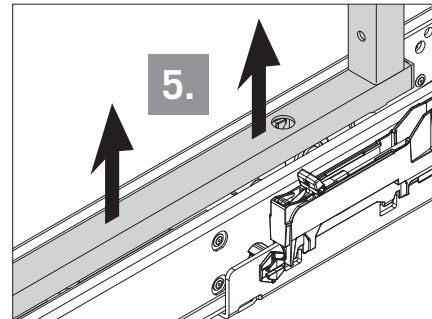
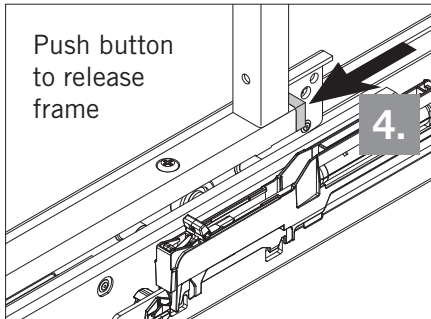
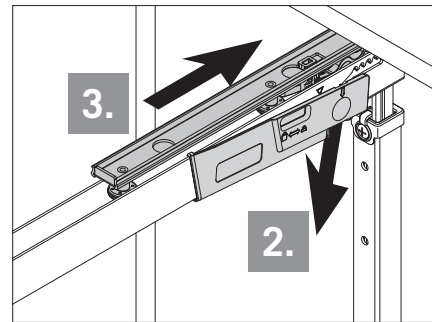
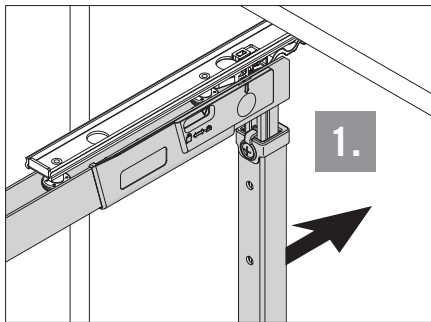
1/8"
(4 mm)



Carefully pull down locking mechanism and adjust to weight of pay load



For removal



For reassembly follow from step 9

Vauth-Sagel USA LP

Address 1821 Baker Road
High Point, NC 27263

Phone +1 336 861 0740
Toll free +1 855 770 9121
Fax +1 336 861 0741

Email support@vauth-sagel-usa.com
Web www.vauth-sagel-usa.com